



MOTO GUZZI®

SPARE PARTS CATALOGUE



**California 1400 Touring E3
ABS 2015 (EMEA, NAFTA)**

Chassis prefix: ZGULVC00

CALIFORNIA

GU116



Engine prefix:

Index

Finished products.....	5
Alphanumeric index.....	6
Frame.....	12
Table 01.010 - Frame.....	12
Table 01.020 - Foot rests.....	14
Table 01.030 - Central stand.....	16
Table 01.040 - Protection.....	17
Table 01.050 - Swing arm.....	18
Body.....	19
Table 02.030 - Front mudguard-Pillar.....	19
Table 02.050 - Windshield.....	20
Table 02.090 - Tank cover.....	21
Table 02.100 - Central body.....	22
Table 02.120 - Saddle.....	23
Table 02.130 - Saddle compartment.....	24
Table 02.150 - Rear mudguard.....	25
Table 02.165 - Side cases.....	27
Table 02.170 - Locks.....	29
Table 02.190 - Decal.....	30
Engine.....	32
Table 03.010 - Engine-Completing part-Lever.....	32
Table 03.020 - Gear lever.....	33
Table 03.030 - Crankcases I.....	34
Table 03.040 - Crankcases I.....	36
Table 03.050 - Air box.....	37
Table 03.060 - Throttle body.....	38
Table 03.090 - Head cover.....	39
Table 03.100 - Cylinder head - valves.....	40
Table 03.120 - Timing system.....	41
Table 03.135 - RH cylinder timing system I.....	42
Table 03.145 - LH cylinder timing system I.....	44
Table 03.150 - Cylinder - Piston.....	46
Table 03.160 - Drive shaft.....	47
Table 03.170 - Gear box / Selector / Shift cam.....	48
Table 03.180 - Gear box - Gear assembly.....	50
Table 03.190 - Lubrication.....	52
Table 03.195 - Oil filters.....	53
Table 03.196 - Blow-by system.....	54
Table 03.200 - Oil pump.....	55
Table 03.230 - Clutch.....	56
Table 03.290 - Starter / Electric starter.....	57
Table 03.300 - Cdi magneto assy / Ignition unit.....	58
Table 03.330 - Exhaust pipe.....	59

Table 03.340 - Transmission complete.....	60
Table 03.350 - Rear transmission / Components.....	61
Suspensions.....	62
Table 04.025 - Front fork Sachs.....	62
Table 04.080 - Shock absorber.....	64
Wheels.....	65
Table 05.010 - Front wheel.....	65
Table 05.020 - Rear wheel.....	66
Brake system.....	67
Table 06.010 - Front master cilinder.....	67
Table 06.020 - Front brake caliper.....	68
Table 06.030 - Rear master cylinder.....	69
Table 06.040 - Rear brake caliper.....	70
Table 06.050 - ABS Brake system.....	71
Handlebar - Controls.....	72
Table 07.010 - Steering.....	72
Table 07.020 - Handlebar - Controls.....	73
Table 07.030 - Clutch control.....	74
Lights - Instruments.....	75
Table 08.010 - Front lights.....	75
Table 08.020 - Instruments.....	77
Table 08.030 - Rear lights.....	78
Tank.....	79
Table 09.010 - Fuel tank.....	79
Table 09.020 - Fuel vapour recover system.....	80
Cooling system.....	81
Table 10.010 - Oil radiator.....	81
Electrical systems.....	82
Table 11.010 - Front electrical system.....	82
Table 11.020 - Central electrical system.....	84
Table 11.030 - Rear electrical system.....	86

Finished products

Code	Validity
GU9032803CAF01	
GU9032803CAF02	
GU9032803CAF03	
GU9032803USF01	
GU9032803USF02	
GU9032803USF03	

Code	No. table	Pos.	Code	No. table	Pos.	Code	No. table	Pos.
006410	08.010	14	2G000051	02.190	21	858424	07.030	3
013763	03.190	18	2G000052	02.190	22	858882	11.030	1
015792	03.135	5	2H000555	02.190	11	859792	05.010	19
015792	03.145	5	2H000556	02.190	12	859792	05.020	13
145298	11.020	21	2H000557	02.190	13	860138	09.020	5
1A008362	03.030	16	2H000558	02.190	14	860746	06.050	2
224566	03.195	8	2H00056000YR5	02.090	5	860746	11.020	16
237553	03.200	7	2H000561000YR5	02.090	7	872230	03.060	4
244585	03.145	32	2R000067	03.340	1	872264	03.060	2
254485	02.150	10	2R000309	11.010	40	872695	03.100	3
254485	03.050	18	411209	03.030	2	872696	03.100	4
254485	03.330	11	414835	03.200	9	872741	03.090	9
254485	06.050	6	414837	03.135	17	872742	03.090	5
254485	10.010	5	414837	03.145	17	872759	03.135	4
254485	11.010	30	434947	03.190	9	872759	03.145	4
273774	01.010	11	436438	03.100	6	873097	02.170	9
285846	03.100	8	478533	10.010	9	873626	03.090	6
292022	08.030	9	487444	03.135	23	873626	03.100	11
294278	08.010	17	487444	03.145	23	873689	03.150	13
294353	08.010	16	560110	03.030	4	873690	03.150	14
2A000030	03.060	17	567603	03.050	10	873906	03.200	14
2A000072	03.230	8	575268	02.165	12	873928	03.120	8
2A000080	03.135	26	580734	08.010	21	874126	03.100	9
2A000080	03.145	26	581061	11.020	14	874127	03.100	5
2A000081	03.135	33	582928	11.020	19	874223	03.190	5
2A000081	03.145	34	584344	03.330	18	874238	03.190	15
2A000082	03.135	14	598839	03.230	15	874293	03.160	2
2A000082	03.145	14	621914	03.190	17	874482	03.200	8
2A0000920A	03.160	3	621914	03.195	14	874567	03.150	7
2A0000920B	03.160	3	622236	03.050	6	874601	03.135	26
2A0000920C	03.160	3	639542	01.030	12	874601	03.145	26
2A000096	03.300	7	641541	03.190	12	874646	03.190	10
2A000107	03.230	1	641652	07.020	2	8746505	03.200	1
2B000031	02.190	18	641652	11.010	10	874655	03.195	12
2B000032	02.190	19	641901	11.010	2	874669	03.190	7
2B000041	02.030	3	642248	11.020	26	874801	03.200	10
2B000056	02.030	4	654174	06.010	2	875173	03.135	15
2B000082	02.150	21	654174	07.030	13	875173	03.145	15
2B000083	02.190	16	672381	02.190	24	875243	03.160	5
2B000090	05.020	20	825597	03.100	12	875244	03.160	5
2B000145	03.330	13	825597	03.150	12	876486	03.195	7
2B000146	03.330	14	825694	03.135	22	876879	03.330	17
2B000147	09.010	1	825694	03.145	22	877101	03.200	11
2B000147000BM	09.010	1	829122	03.195	2	8783390001	03.160	3
2B000147000XN2	09.010	1	829232	03.120	13	8783390002	03.160	3
2B000147000YR5	09.010	1	829486	03.200	5	8783390003	03.160	3
2B000151	08.010	18	829661	03.200	6	878574	03.135	1
2B000152	08.010	19	832029	11.010	33	878574	03.145	1
2B000159	02.150	19	842360	03.135	6	878868	03.135	13
2B000160	02.150	15	842360	03.145	6	878868	03.145	13
2B000180	09.010	21	843060	03.135	27	879707	03.135	11
2B000181	09.010	20	843060	03.145	27	879707	03.145	11
2B000219	09.020	8	849131	03.160	4	879916	03.135	10
2B000331	11.020	28	849866	03.150	19	879916	03.145	10
2B000353	11.020	11	851550	01.030	8	879936	03.135	19
2B000354	11.020	12	851821	01.020	15	879936	03.145	19
2B000383	04.025	2	85220R	03.230	3	879937	03.135	20
2B000480	01.010	13	85269R	03.120	11	879937	03.145	20
2B000889	10.010	1	856050	06.010	5	879938	03.135	18
2B001022	04.080	1	856050	07.030	4	879938	03.145	18
2B006398	06.020	6	856062	09.020	2	879975	03.090	4
2D000003	02.170	2	856063	09.020	1	879987	03.090	7
2D000004	02.170	5	856152	11.020	15	880127	03.090	8
2D000006	02.170	14	857265	03.170	37	880965	03.135	28
2D000007	08.010	38	857306	03.060	16	880965	03.145	28
2D000190	11.020	1	857494	03.170	38	883384	06.020	2
2G000050	02.190	20	858423	06.010	4	883385	06.020	1

Code	No. table	Pos.	Code	No. table	Pos.	Code	No. table	Pos.
883476	02.170	3	887362	05.010	1	887798	06.050	4
883673	06.020	3	887421	11.010	32	887802	02.130	3
883818	11.030	10	887429	05.010	2	887805	03.090	2
884029	03.330	9	887430	05.010	9	887808	03.060	7
884031	04.080	3	887433	05.010	7	887816	03.330	22
884044	03.230	6	887439	05.010	12	887823	07.020	16
886141	02.190	1	887443	02.190	15	887829	04.025	3
886235	10.010	6	887453	08.010	15	887830	04.025	4
886255	03.300	1	887454	03.100	13	887831	07.010	8
886820	02.120	10	887455	03.100	13	887832	07.010	10
886836	01.010	1	887456	03.100	13	887835	11.010	22
886837	01.010	4	887461	05.020	23	887836	11.010	23
8868555001	03.160	1	887487	02.150	4	887865	02.120	11
8868555002	03.160	1	8874870000YR5	02.150	4	887875	05.010	11
8868555003	03.160	1	88748700BM	02.150	4	887875	05.020	10
886859	03.050	1	88748700XN2	02.150	4	887921	08.010	4
886860	03.050	7	887488	02.130	1	887945	02.165	7
886861	03.050	5	887489	05.020	8	887946	02.165	6
8868655	03.170	5	887490	06.040	1	887950	03.190	11
886867	03.050	3	887491	01.010	24	887951	03.190	1
886869	03.060	22	8874940000C2	02.120	1	887953	08.020	2
886871	03.050	12	88749400C1	02.120	1	887955	11.010	1
886875	03.170	15	887495	05.020	12	887956	03.090	12
8868810001	03.150	2	887510	03.020	12	887979	03.060	1
8868810002	03.150	2	887512	04.025	1	887990	02.100	2
8868810003	03.150	2	887517	05.020	24	887990000YR5	02.100	2
886883	03.150	3	887518	05.020	22	88799000BM	02.100	2
886884	03.150	4	887519	01.050	2	88799000XN2	02.100	2
886885	03.150	5	887522	03.340	4	887997	08.010	25
886886	03.150	6	887524	03.120	9	890760	11.010	31
886908	03.030	1	887529	05.020	1	890979	11.010	28
886959	01.050	1	887530	05.020	2	894603	11.020	3
886967	05.020	15	887536	08.030	1	895328	03.020	2
886968	03.340	3	887537	08.030	2	895328	06.030	2
887013	01.010	7	887540	08.020	9	895481	11.030	16
887014	01.010	9	887547	02.130	4	895701	11.020	17
887015	03.060	6	887549	07.020	1	895709	08.020	10
887016	11.010	38	887550	07.030	1	895839	02.190	3
887030	03.120	10	887555	08.020	8	895907	11.020	10
887044	03.120	14	887556	06.030	1	896675	11.030	17
887086	01.010	8	887566	05.010	14	896715	11.030	11
887137	04.080	1	887567	07.020	5	898136	02.090	4
887161	03.135	3	887568	07.020	6	898396	03.020	15
887162	03.145	3	887575	05.020	16	898397	03.020	6
887163	03.100	2	887578	05.010	15	899064	03.190	4
887164	03.100	1	887579	05.010	16	969323	03.195	13
8871714	03.060	8	887582	06.050	15	976179	03.180	9
8871724	03.060	9	887583	06.050	14	976180	03.180	17
887248	01.010	25	887584	06.050	13	976312	03.150	11
887254	01.010	26	887585	06.050	12	976330	03.120	1
887260	01.010	27	887586	04.025	28	976331	03.120	4
887261	01.010	12	887589	03.330	4	976337	03.135	31
887264	01.010	37	887590	03.330	3	976337	03.145	31
887282	03.060	12	887627	06.010	6	976338	03.135	30
887302	01.020	22	887629	07.030	11	976338	03.145	30
887303	01.020	18	887689	06.030	20	976341	03.135	29
887311	05.020	19	887696	06.050	1	976341	03.145	29
887318	03.020	17	887697	08.010	12	976342	03.150	15
88733000XNB	01.020	2	887698	08.010	1	976350	03.135	25
88733100XNB	01.020	1	887719	01.010	6	976350	03.145	25
887334	03.090	10	887728	01.010	17	976355	03.120	6
887335	11.030	12	887757	03.340	6	976376	03.330	20
887339	07.030	9	887762	05.010	13	976381	03.120	2
887356	07.010	2	887764	06.010	1	976478	03.040	9
887357	07.010	1	887786	03.196	1	976481	03.230	7
887359	04.025	29	887795	07.020	8	976488	03.120	3
887360	04.025	27	887796	07.020	9	976532	03.180	23

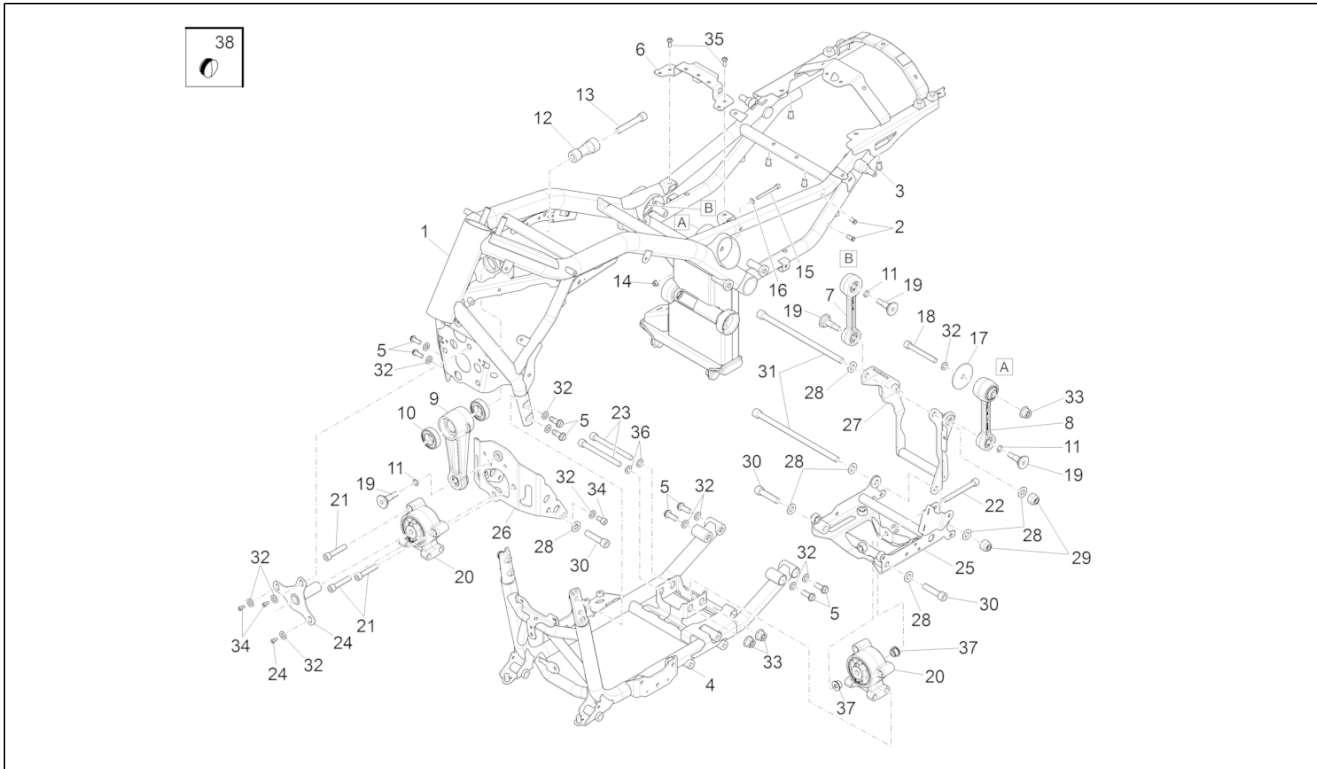
Code	No. table	Pos.	Code	No. table	Pos.	Code	No. table	Pos.
976533	03.180	22	AP8113004	06.050	17	AP8150015	08.010	11
976535	03.230	5	AP8113004	07.030	8	AP8150018	02.165	17
976564	03.230	10	AP8113070	06.050	19	AP8150040	01.010	23
976589	03.135	8	AP8113755	06.040	4	AP8150045	08.010	6
976589	03.145	8	AP8120001	01.020	17	AP8150169	03.350	13
976591	02.130	2	AP8120001	02.030	2	AP8150178	08.010	13
976591	03.090	3	AP8120030	03.050	17	AP8150182	07.020	19
976591	06.050	5	AP8120030	03.196	2	AP8150192	01.010	18
976591	08.030	3	AP8120030	06.050	9	AP8150204	02.150	18
976592	03.190	8	AP8120030	10.010	2	AP8150204	06.030	14
976593	03.230	12	AP8120178	06.030	17	AP8150204	08.030	6
976594	03.230	12	AP8120405	02.090	8	AP8150211	03.350	12
976595	03.230	12	AP8120405	09.010	5	AP8150252	01.020	11
976596	03.230	12	AP8120416	07.030	12	AP8150285	03.030	25
976597	03.190	6	AP8120531	02.150	16	AP8150285	08.010	7
976614	03.060	20	AP8120557	09.010	4	AP8150287	01.010	22
976614	11.010	8	AP8120573	01.020	13	AP8150292	01.020	14
976631	03.040	1	AP8120592	02.165	11	AP8150292	01.040	4
976649	03.120	17	AP8120594	08.010	28	AP8150311	01.030	14
976665	03.120	16	AP8120615	03.050	8	AP8150311	09.010	14
976674	03.135	24	AP8120712	11.020	27	AP8150329	01.010	21
976674	03.145	24	AP8120876	03.050	21	AP8150376	08.010	33
976680	03.190	16	AP8120952	03.170	10	AP8150378	02.050	15
976681	03.190	14	AP8121014	01.030	9	AP8150378	02.050	6
976696	03.230	14	AP8121015	01.030	10	AP8150382	08.020	7
976703	03.030	12	AP8121032	07.020	20	AP8150382	11.030	6
976899	03.150	10	AP8121032	11.010	11	AP8150413	08.020	4
9769965	03.010	1	AP8121114	02.150	7	AP8150413	08.030	13
9769975	03.170	1	AP8121133	01.020	7	AP8150413	11.020	13
97729R	03.290	1	AP8121205	07.010	12	AP8150413	11.020	22
977527	02.170	4	AP8121409	07.030	7	AP8150432	01.010	29
977916	11.020	18	AP8121420	02.120	9	AP8150432	01.040	6
978059	07.020	11	AP8121464	10.010	7	AP8150450	03.050	11
978301	01.010	38	AP8121510	03.330	24	AP8150494	01.040	8
978415	02.120	8	AP8121511	09.010	3	AP8150500	01.040	20
AP8101595	03.050	19	AP8121882	06.050	11	AP8150500	03.196	3
AP8101595	03.170	11	AP8121929	01.020	21	AP8150501	08.030	5
AP8101595	09.010	10	AP8123641	07.010	4	AP8150501	11.030	4
AP8101944	09.020	15	AP8123642	07.010	7	AP8150509	11.010	20
AP8101968	06.030	15	AP8123643	07.010	9	AP8150509	11.030	3
AP8102159	09.020	9	AP8123644	07.010	6	AP8150509	11.030	7
AP8102239	09.020	6	AP8124293	11.020	20	AP8150522	08.030	10
AP8102349	03.196	7	AP8124718	02.150	17	AP8150540	07.020	14
AP8102375	01.040	21	AP8124718	08.030	4	AP8150543	07.010	3
AP8102375	02.100	4	AP8124936	11.010	17	AP8152043	05.010	18
AP8102375	02.150	13	AP8125838	05.020	5	AP8152055	03.330	5
AP8102375	03.060	21	AP8125839	05.020	4	AP8152117	02.120	5
AP8102375	11.010	15	AP8125841	05.010	3	AP8152135	01.030	6
AP8102375	11.010	26	AP8125842	05.010	5	AP8152166	03.120	7
AP8102377	09.020	14	AP8127098	08.030	7	AP8152220	01.030	2
AP8102524	01.030	11	AP8127461	02.090	3	AP8152246	01.020	24
AP8102671	11.020	23	AP8127489	08.010	37	AP8152246	02.150	24
AP8102738	09.020	7	AP8133945	06.050	16	AP8152272	03.340	5
AP8102765	03.196	8	AP8133945	07.030	10	AP8152273	02.150	12
AP8102902	01.010	3	AP8134857	01.020	12	AP8152273	02.150	6
AP8102913	02.120	4	AP8144007	03.020	9	AP8152273	03.170	39
AP8104329	03.050	2	AP8144007	06.030	5	AP8152273	05.010	20
AP8104666	09.010	12	AP8144038	03.050	20	AP8152273	05.020	14
AP8110053	03.020	20	AP8144552	02.130	6	AP8152273	09.010	19
AP8110077	07.010	5	AP8144558	03.330	23	AP8152274	02.030	5
AP8110093	05.020	3	AP8144563	01.040	17	AP8152278	01.010	35
AP8110094	01.010	10	AP8144564	08.030	11	AP8152278	02.150	9
AP8110094	05.010	4	AP8144616	01.040	15	AP8152278	03.060	13
AP8110110	01.020	8	AP8144662	08.020	3	AP8152278	03.060	25
AP8112600	11.030	8	AP8149034	02.150	23	AP8152278	06.050	10
AP8112811	11.020	2	AP8150014	08.010	10	AP8152278	08.020	6
AP8113003	06.050	18	AP8150015	06.050	8	AP8152278	11.010	12

Code	No. table	Pos.	Code	No. table	Pos.	Code	No. table	Pos.
AP8152279	03.050	22	B005195	02.170	13	B063246	09.010	7
AP8152279	06.030	19	B013036	03.230	9	B0632540000YR5	02.165	1
AP8152280	03.050	15	B013037	03.230	13	B06325400BM	02.165	1
AP8152280	06.050	7	B013479	03.135	14	B06325400XN2	02.165	1
AP8152280	10.010	3	B013479	03.145	14	B0632550000YR5	02.165	2
AP8152280	11.010	19	B013517	03.100	7	B06325500BM	02.165	2
AP8152280	11.010	5	B013552	03.135	21	B06325500XN2	02.165	2
AP8152281	08.010	8	B013552	03.145	21	B063271	03.030	18
AP8152281	09.010	2	B0136034	03.135	9	B063274	03.195	6
AP8152281	11.010	7	B0136034	03.145	9	B063289	02.165	8
AP8152284	03.030	21	B0136054	03.135	12	B063292	03.330	19
AP8152285	02.150	5	B0136054	03.145	12	B063293	03.330	12
AP8152285	05.020	11	B013661	03.135	16	B063295	08.010	20
AP8152286	02.165	9	B013661	03.145	16	B063296	08.010	22
AP8152287	01.040	12	B014576	03.135	7	B063297	08.010	23
AP8152287	02.120	12	B014576	03.145	7	B063302	02.150	8
AP8152292	01.040	11	B015125	03.150	16	B063303	02.150	11
AP8152294	01.040	13	B015126	03.150	9	B063306	03.010	2
AP8152298	02.150	20	B016425	03.060	14	B063307	01.010	19
AP8152299	01.010	14	B016785	03.135	2	B063309	01.020	9
AP8152299	02.120	6	B016785	03.145	2	B063310	07.030	6
AP8152299	02.150	22	B017633	03.060	15	B063328	06.030	9
AP8152299	06.030	12	B017633	03.060	24	B063333	03.060	5
AP8152299	11.010	14	B017636	03.100	10	B063339	07.020	7
AP8152300	02.165	18	B043864	09.010	9	B063343	08.010	24
AP8152300	03.020	11	B044314	05.010	17	B063426	11.010	24
AP8152300	03.330	27	B044414	11.010	21	B063428	03.195	1
AP8152300	06.030	8	B0630111	03.230	12	B063430	01.030	1
AP8152301	01.010	33	B063012	03.230	12	B063432	08.030	8
AP8152302	02.130	7	B063013	11.030	2	B063433	11.020	24
AP8152302	11.010	13	B063015	11.010	18	B063434	10.010	10
AP8152302	11.010	25	B063028	08.010	35	B063439	02.120	7
AP8152302	11.030	9	B063029	08.010	36	B063440	05.010	10
AP8152306	02.165	15	B063030	07.020	9	B063442	03.060	3
AP8152306	11.020	29	B063035	03.020	1	B063444	01.030	5
AP8152313	03.330	10	B063055	01.020	26	B063454	08.030	12
AP8152318	03.340	2	B0630754	03.170	2	B063461	03.030	28
AP8152324	05.020	26	B063079	09.010	8	B063477	03.050	9
AP8152325	07.020	15	B063080	09.010	6	B063478	02.090	1
AP8152329	02.130	5	B063088	01.010	31	B063508	11.010	6
AP8152329	03.050	4	B063104	09.010	16	B063574	02.170	7
AP8152329	11.020	30	B063114	03.330	21	B063577	01.040	1
AP8152329	11.030	14	B063116	02.150	1	B063578	01.040	2
AP8152339	02.100	3	B0631160000YR5	02.150	1	B063583	01.040	3
AP8152339	02.150	3	B06311600BM	02.150	1	B063584	02.170	10
AP8152342	08.010	31	B06311600XN2	02.150	1	B063587	02.165	5
AP8152384	07.010	11	B063117	02.150	2	B063591	01.020	29
AP8152385	01.020	6	B0631170000YR5	02.150	2	B063592	11.010	34
AP8161083	10.010	8	B06311700BM	02.150	2	B063593	03.330	15
AP8201124	09.010	23	B06311700XN2	02.150	2	B063594	03.330	16
AP8201301	06.030	16	B063131	11.010	37	B063595	03.330	7
AP8201755	01.010	2	B063133	01.020	4	B063596	03.330	8
AP8201808	06.050	20	B063134	01.020	3	B063620	03.196	4
AP8201855	02.165	3	B063139	01.010	20	B063625	01.040	10
AP8202238	06.050	19	B063143	03.010	3	B063626	01.040	9
AP8210007	03.020	19	B06314300XNH	03.010	3	B063632	02.165	8
AP8220150	11.030	5	B063158	03.060	18	B063639	03.020	18
AP8220238	02.165	13	B063159	03.060	19	B063642	02.190	6
AP8220241	02.050	8	B063160	03.060	10	B063643	02.190	7
AP8221023	03.050	16	B063161	03.060	11	B063706	09.010	13
AP8221023	10.010	4	B063162	11.010	3	B063709	02.170	1
AP8221310	08.010	34	B063174	04.080	4	B063716	01.040	19
AP8221349	08.010	27	B063174	08.010	2	B063717	01.040	18
AP8224164	02.165	14	B063179	03.196	9	B063721	02.050	4
AP8224462	11.010	27	B063181	02.090	5	B063736	02.170	8
AP8706322	02.165	4	B063182	02.090	7	B063742	11.010	16
AP9150472	03.190	13	B063211	06.050	3	B063751	03.020	3

Code	No. table	Pos.	Code	No. table	Pos.	Code	No. table	Pos.
B063756	08.010	26	B064055	04.025	19	CM228403	01.020	28
B063759	01.050	4	B064056	04.025	20	GU00823923140	01.030	15
B063778	03.196	5	B064057	04.025	23	GU00823931055	02.090	9
B063786	01.030	4	B064058	04.025	15	GU00823931080	01.040	22
B063790	02.050	3	B064059	04.025	5	GU00823944050	09.010	11
B063791	02.050	2	B064060	04.025	6	GU00823944050	09.020	4
B063792	02.050	1	B064061	04.025	21	GU01106090	09.010	18
B063806	11.030	13	B064062	04.025	9	GU01107490	09.010	17
B063819	02.190	4	B064063	04.025	10	GU01116031	09.020	3
B06382000YE4	01.020	19	B064064	04.025	8	GU01154230	03.030	27
B06382100YE4	01.020	10	B064065	04.025	7	GU01154230	03.190	2
B063830	02.050	11	B064066	04.025	12	GU01154230	03.196	11
B063831	02.050	10	B064067	04.025	13	GU01161331	03.190	3
B063832	03.180	21	B064068	04.025	11	GU01161331	03.196	10
B063836	03.180	33	B064069	04.025	25	GU01528930	03.030	23
B063844	11.010	4	B064070	04.025	26	GU01528930	03.170	9
B063846	03.030	26	B064071	02.190	11	GU01528930	03.350	3
B063849	05.020	21	B064072	02.190	12	GU01659130	06.020	4
B063850	03.030	20	B064073	02.190	13	GU01659131	06.020	5
B063861	03.030	17	B064074	02.190	14	GU03013800	03.200	12
B063870	02.150	14	B064075	02.190	11	GU03013800	08.010	32
B063898	03.030	19	B064076	02.190	12	GU03447070	01.020	20
B063902	01.040	14	B064077	02.190	13	GU03578432	02.050	9
B063903	03.020	10	B064078	02.190	14	GU03603060	07.020	3
B063903	06.030	6	B064079	02.165	20	GU03617710	05.010	6
B063905	03.170	27	B06408400XN2	02.090	5	GU03617710	05.020	7
B063907	01.020	25	B06408500XN2	02.090	7	GU05001630	03.040	7
B063931	01.020	27	B06408600BM	02.090	5	GU05002130	03.040	3
B063932	02.165	10	B06408700BM	02.090	7	GU05204930	03.170	8
B063934	03.195	9	B064099	02.030	1	GU05210631	03.180	1
B063936	08.020	1	B0640990000YR5	02.030	1	GU05211030	03.180	29
B063938	01.010	34	B06409900BM	02.030	1	GU05211131	03.180	25
B063942	03.195	10	B06409900XN2	02.030	1	GU05211231	03.180	26
B063950	02.190	5	B064100	03.230	2	GU05211331	03.180	10
B063956	03.170	28	B064101	01.020	5	GU05211431	03.180	7
B063957	03.050	13	B064102	04.025	16	GU05211530	03.180	30
B063977	03.180	32	B064104	06.030	21	GU05212031	03.180	4
B063978	03.180	31	B064105	06.010	3	GU05213631	03.180	12
B063979	03.180	34	B064106	07.030	5	GU05214031	03.180	14
B063984	02.050	12	B064112	03.170	24	GU05214231	03.180	13
B064001	01.040	16	B064113	03.170	25	GU05214431	03.180	18
B064009	10.010	11	B064115	07.020	18	GU05214630	03.180	5
B064017	11.010	39	B064116	07.020	17	GU05214731	03.180	15
B064018	03.195	11	B064117	02.190	23	GU05215031	03.180	16
B064019	02.100	1	B064119	03.350	11	GU05215631	03.180	2
B0640190000YR5	02.100	1	B064120	06.040	3	GU05230531	03.170	32
B06401900BM	02.100	1	B064126	03.330	1	GU05230831	03.170	35
B06401900XN2	02.100	1	B064127	03.330	2	GU05232431	03.170	33
B064022	06.030	11	B064143	02.170	12	GU05232631	03.170	34
B064023	02.120	2	B064260	02.190	9	GU05234230	03.170	26
B064024	02.120	3	B064261	02.190	8	GU05234631	03.170	16
B064025	02.190	17	B064262	03.090	1	GU05235531	03.170	17
B064029	03.350	2	B064263	03.090	11	GU05236231	03.170	21
B064030	03.350	7	B064264	04.080	2	GU05238131	03.170	29
B064031	03.350	5	B064265	07.030	2	GU05238231	03.170	22
B064032	03.350	1	B064268	01.010	30	GU05238431	03.170	23
B064037	03.350	6	B064271	03.230	4	GU05239330	03.170	31
B064041	03.350	9	B064290	05.020	17	GU05256930	03.020	21
B064044	03.350	16	B064320	02.050	14	GU05351230	03.350	15
B064046	03.150	8	CM001904	03.196	6	GU05547030	01.050	6
B064047	03.150	1	CM225607	11.020	4	GU05547130	01.050	5
B064048	02.170	11	CM225610	11.020	5	GU05547930	01.050	8
B064049	04.025	14	CM225615	11.020	6	GU05702530	03.300	6
B064050	04.025	17	CM225620	11.020	7	GU05781630	04.025	32
B064051	04.025	24	CM225730	11.020	8	GU05944530	02.190	10
B064052	04.025	22	CM225740	11.020	9	GU05944930	02.190	2
B064053	04.025	18	CM228201	11.030	15	GU06500200	07.020	12

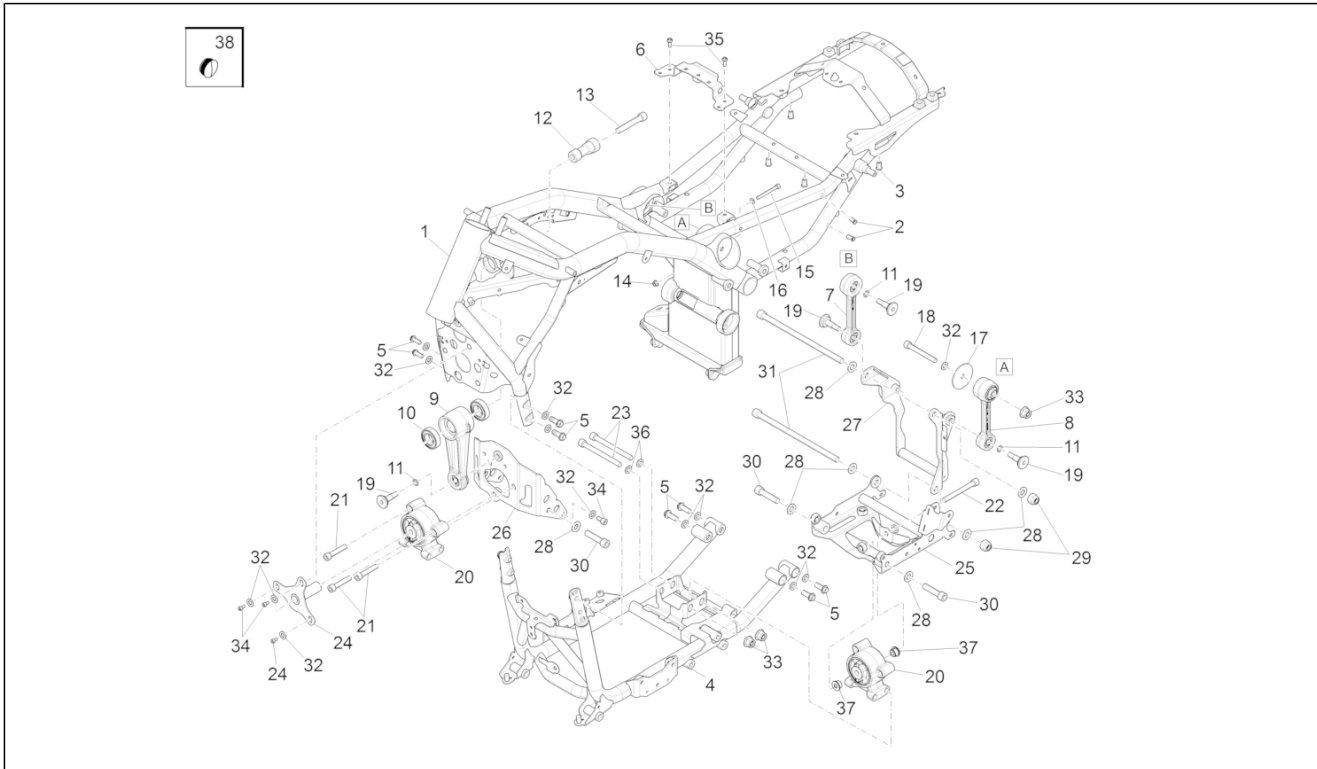
Code	No. table	Pos.	Code	No. table	Pos.	Code	No. table	Pos.
GU06500600	07.020	13	GU92630206	11.010	9	GU98680545	01.030	3
GU06704700	09.020	10	GU92630707	03.020	16	GU98682316	03.040	5
GU12018900	03.030	6	GU92660012	03.300	5	GU98682316	11.010	35
GU12022600	03.030	10	GU92660021	03.030	9	GU98682320	03.020	22
GU13432640	03.020	5	GU92660021	03.330	25	GU98682320	08.010	29
GU14085900	03.230	11	GU92787006	02.050	7	GU98682325	01.050	9
GU14433400	03.120	12	GU93180111	05.010	21	GU98682325	03.020	4
GU14615901	02.165	19	GU93180220	03.170	4	GU98682330	03.030	24
GU14615901	03.030	8	GU93222023	03.060	23	GU98682414	02.170	6
GU14615901	03.330	26	GU93304390	01.050	3	GU98682416	02.165	16
GU14616150	05.010	8	GU93306070	03.050	14	GU98682420	01.020	23
GU14616150	05.020	6	GU95005306	03.200	13	GU98682530	01.020	16
GU18144350	03.170	6	GU95005320	06.030	7	GU98683530	01.010	5
GU18144350	03.200	4	GU95005325	05.020	25	GU98690245	04.025	30
GU19002020	03.170	14	GU95008205	09.010	15	GU98690670	01.040	7
GU19152200	03.195	3	GU95008208	03.290	3	GU98692325	07.020	10
GU30158900	03.200	3	GU95008210	01.010	32	GU98882416	09.010	22
GU30602861	07.020	4	GU95008305	08.020	5			
GU30611460	05.020	9	GU95008306	01.010	16			
GU30654626	06.040	2	GU95008308	01.020	30			
GU30714201	03.300	9	GU95008308	03.020	8			
GU31003766	03.030	22	GU95008308	03.330	6			
GU31003766	03.170	13	GU95008308	06.030	4			
GU31003766	03.350	4	GU95008310	01.010	36			
GU31159050	03.200	2	GU95008313	01.010	28			
GU31256881	03.020	14	GU95100116	03.150	18			
GU4FAN000030	03.300	10	GU95100709	03.030	30			
GU61270300	03.030	14	GU95129100	03.135	32			
GU61270300	04.025	34	GU95129100	03.145	33			
GU90271014	03.170	30	GU95129240	01.030	7			
GU90271022	03.170	18	GU95129240	01.040	5			
GU90271030	03.180	8	GU95129340	03.180	28			
GU90271125	03.180	27	GU95187006	03.195	4			
GU90271230	03.180	6	GU95512081	03.030	3			
GU90353014	03.170	36	GU95963062	09.020	12			
GU90401424	03.170	12	GU95980319	03.170	7			
GU90405367	03.030	15	GU95990023	09.020	13			
GU90408511	03.350	10	GU96508066	03.030	5			
GU90412237	03.040	2	GU96508075	03.030	7			
GU90412541	03.180	20	GU97202355	03.170	3			
GU90706009	09.020	11	GU98082475	03.290	2			
GU90706141	11.010	36	GU98084314	03.195	5			
GU90706178	03.030	29	GU98084425	03.030	13			
GU90706203	03.030	11	GU98210616	03.010	4			
GU90706461	04.025	31	GU98210616	06.030	10			
GU90706664	05.020	18	GU98230850	03.300	11			
GU90718120	03.350	14	GU98350210	02.090	6			
GU91120605	08.010	3	GU98350310	03.150	17			
GU91120606	03.010	5	GU98350315	03.120	5			
GU91120606	03.040	6	GU98350416	08.010	30			
GU91180823	03.300	2	GU98370412	06.030	13			
GU91551167	02.050	16	GU98370516	02.090	2			
GU91600365	03.120	15	GU98370616	11.010	29			
GU92201025	03.170	20	GU98370621	02.050	5			
GU92201117	03.170	19	GU98370625	02.050	13			
GU92201226	03.180	19	GU98612216	01.030	13			
GU92201822	03.180	11	GU98612320	08.010	5			
GU92208518	03.350	8	GU98620330	03.040	8			
GU92232028	03.180	24	GU98620335	03.040	4			
GU92249224	01.050	7	GU98620445	03.300	3			
GU92252029	03.180	3	GU98620455	03.040	10			
GU92605408	03.300	12	GU98620560	03.300	4			
GU92606206	03.020	13	GU98680225	11.020	25			
GU92606206	06.030	18	GU98680360	01.010	15			
GU92606516	03.300	8	GU98680440	04.025	33			
GU92630206	03.020	23	GU98680460	03.020	7			
GU92630206	08.010	9	GU98680475	06.030	3			

Group	Frame
Code	01.010
Description	Frame
Service	1



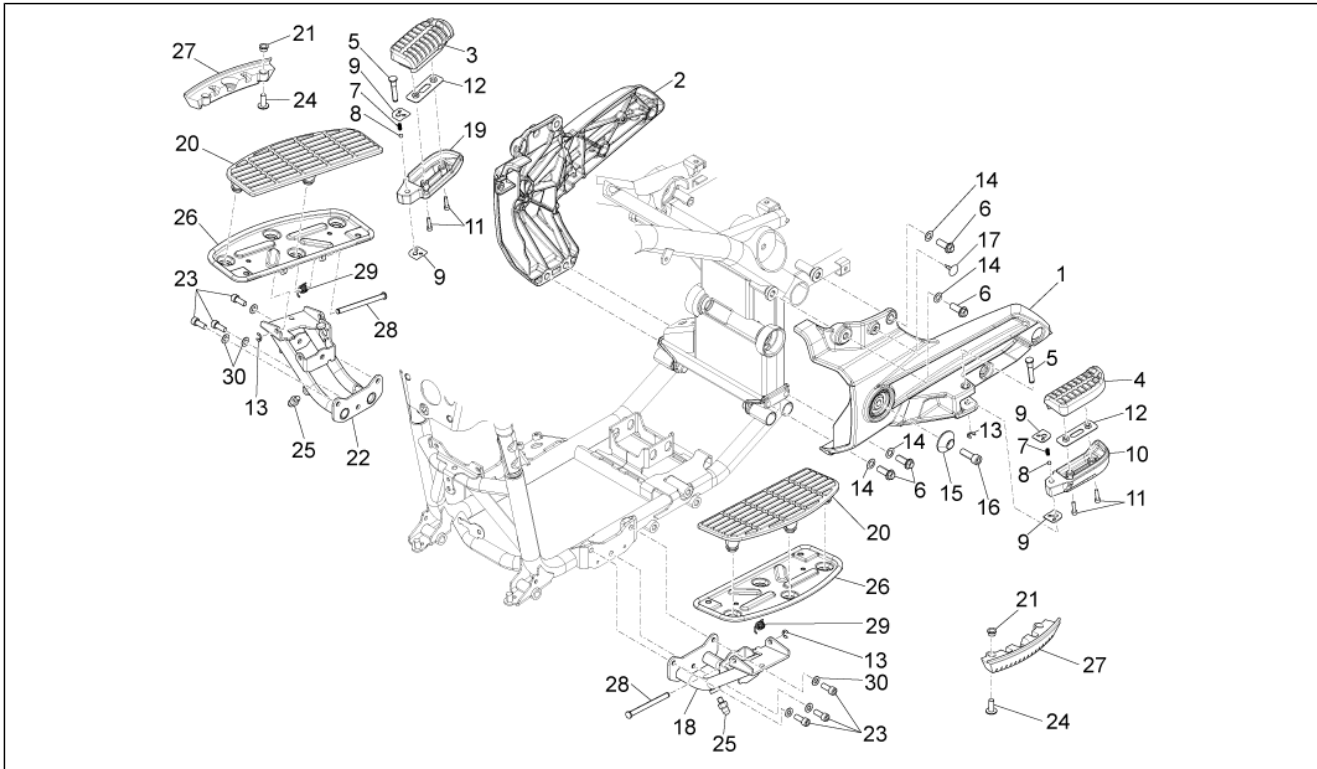
Pos.	Code	Description	Qty	Variants
1	886836	Upper frame with i.p.	1	
2	AP8201755	Threaded rivet	10	
3	AP8102902	Hex threaded insert	6	
4	886837	Lower frame with IP	1	
5	GU98683530	screw M10x30	8	
6	887719	Seat support	1	
7	887013	Engine support connecting rod	1	
8	887086	Engine support connecting rod	1	
9	887014	Engine support connecting rod	1	
10	AP8110094	Bearing 25x47x12	2	
11	273774	Oil seal	8	
12	887261	Silent block pin	1	
13	2B000480	Hex socket screw M12x80	1	
14	AP8152299	Self-locking nut M6	1	
15	GU98680360	Hex socket screw M6x60	1	
16	GU95008306	Washer 6,4x12x1,2	1	
17	887728	Disc	1	
18	AP8150192	Hex socket screw M10x80	1	
19	B063307	Threaded pin	4	
20	B063139	Engine support silent-block	2	
21	AP8150329	Hex socket screw	3	
22	AP8150287	Hex socket screw M10x90	1	
23	AP8150040	Hex socket screw M10x110*	2	
24	887491	Silent block support bracket	1	
25	887248	Engine lower bracket with i.p.	1	
26	887254	Engine front bracket with i.p.	1	
27	887260	Engine rear bracket with i.p.	1	
28	GU95008313	Washer 13x24x2,5	8	

Group	Frame
Code	01.010
Description	Frame
Service	1



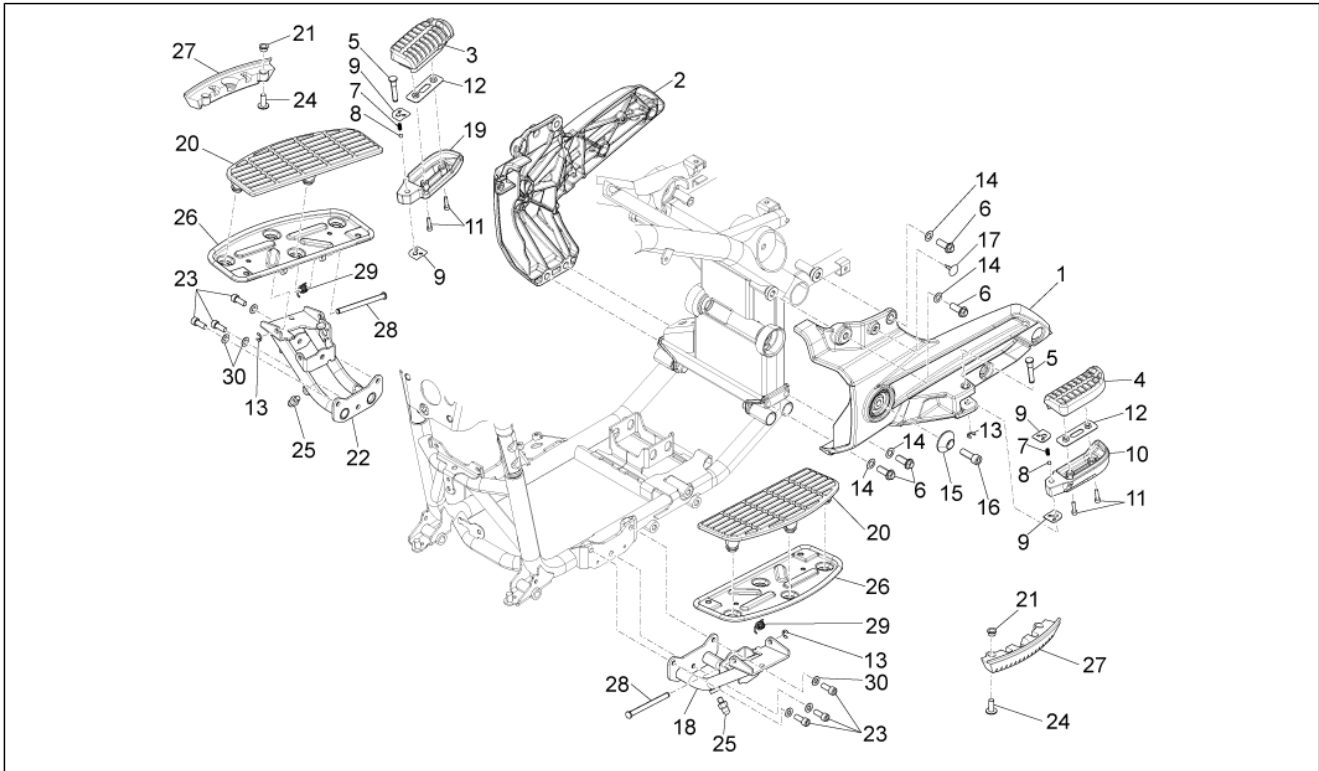
Pos.	Code	Description	Qty	Variants
29	AP8150432	Low self-locking nut M12*	2	
30	B064268	Hex socket screw M12x45	4	
31	B063088	Engine pin	2	
32	GU95008210	Washer 10,2X18X2	11	
33	AP8152301	Self-locking nut	3	
34	B063938	Hex socket screw M10x20	5	
35	AP8152278	Screw w/ flange M6x16	2	
36	GU95008310	Washer 10,5x22x2,5	2	
37	887264	Bush	2	
38	978301	Cover	2	

Group	Frame
Code	01.020
Description	Foot rests
Service	1



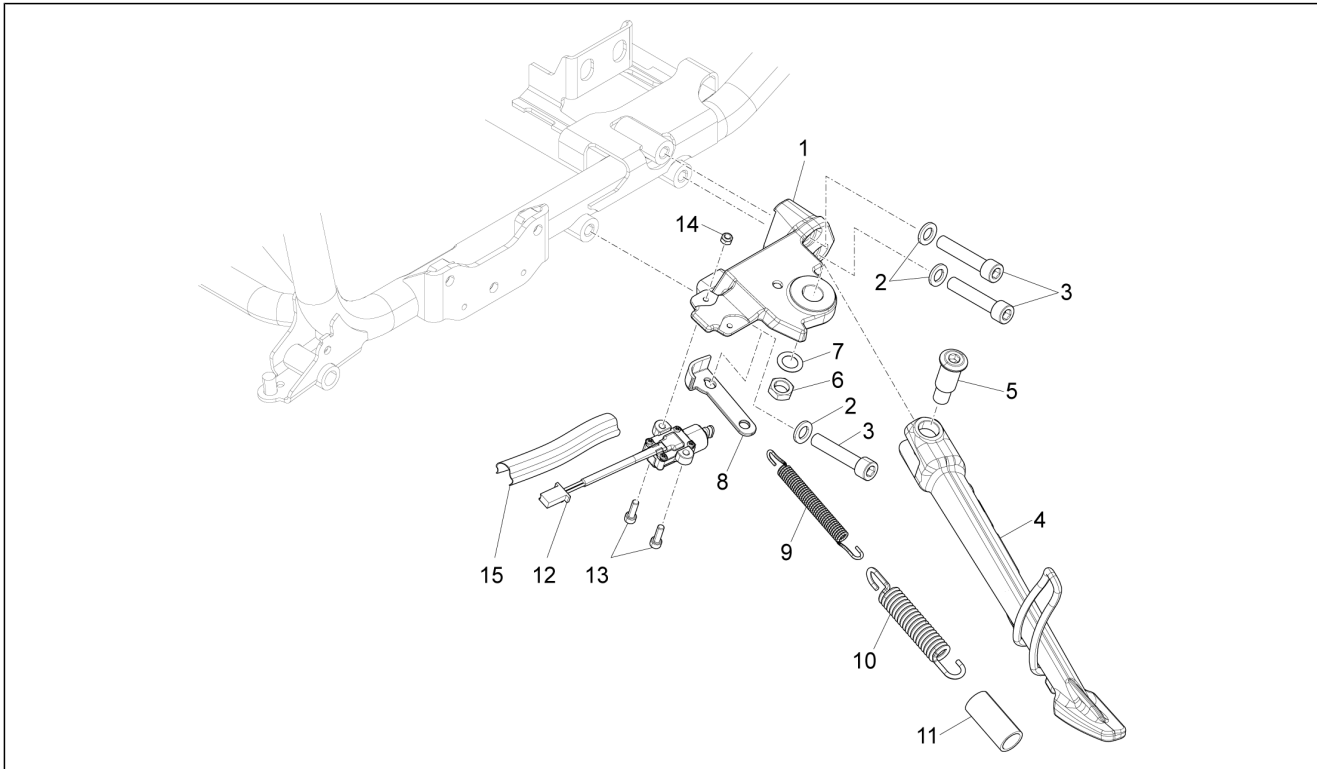
Pos.	Code	Description	Qty	Variants
1	88733100XNB	LH rear footrest supp., black	1	
2	88733000XNB	RH footrest support al fin,blk	1	
3	B063134	RH rear footrests rubber	1	
4	B063133	LH rear footrests rubber	1	
5	B064101	Footrest pin	2	
6	AP8152385	Hex socket screw M10x1,25	8	
7	AP8121133	Coil compress. spring	2	
8	AP8110110	Ball d.7	2	
9	B063309	Plate	4	
10	B06382100YE4	LH rear footrest, grey	1	
11	AP8150252	Hex socket screw M5x20	4	
12	AP8134857	Plate	2	
13	AP8120573	Stop ring	4	
14	AP8150292	Curved spring washer *	8	
15	851821	Ring nut	2	
16	GU98682530	Hex socket screw M10x30	2	
17	AP8120001	Rubber spacer	2	
18	887303	Left rider footrest support with i.p.	1	
19	B06382000YE4	RH rear footrest, grey	1	
20	GU03447070	Mat	2	
21	AP8121929	T bush 6,5x8,6x9	4	
22	887302	Right rider footrest support with i.p.	1	
23	GU98682420	Hex socket screw M8x20	6	
24	AP8152246	Screw w/ flange M6x16	4	
25	B063907	Footrest pin	2	
26	B063055	Rider footrest with i.p.	2	
27	B063931	Sliding block	2	
28	CM228403	Footrest pin	2	

Group	Frame
Code	01.020
Description	Foot rests
Service	1



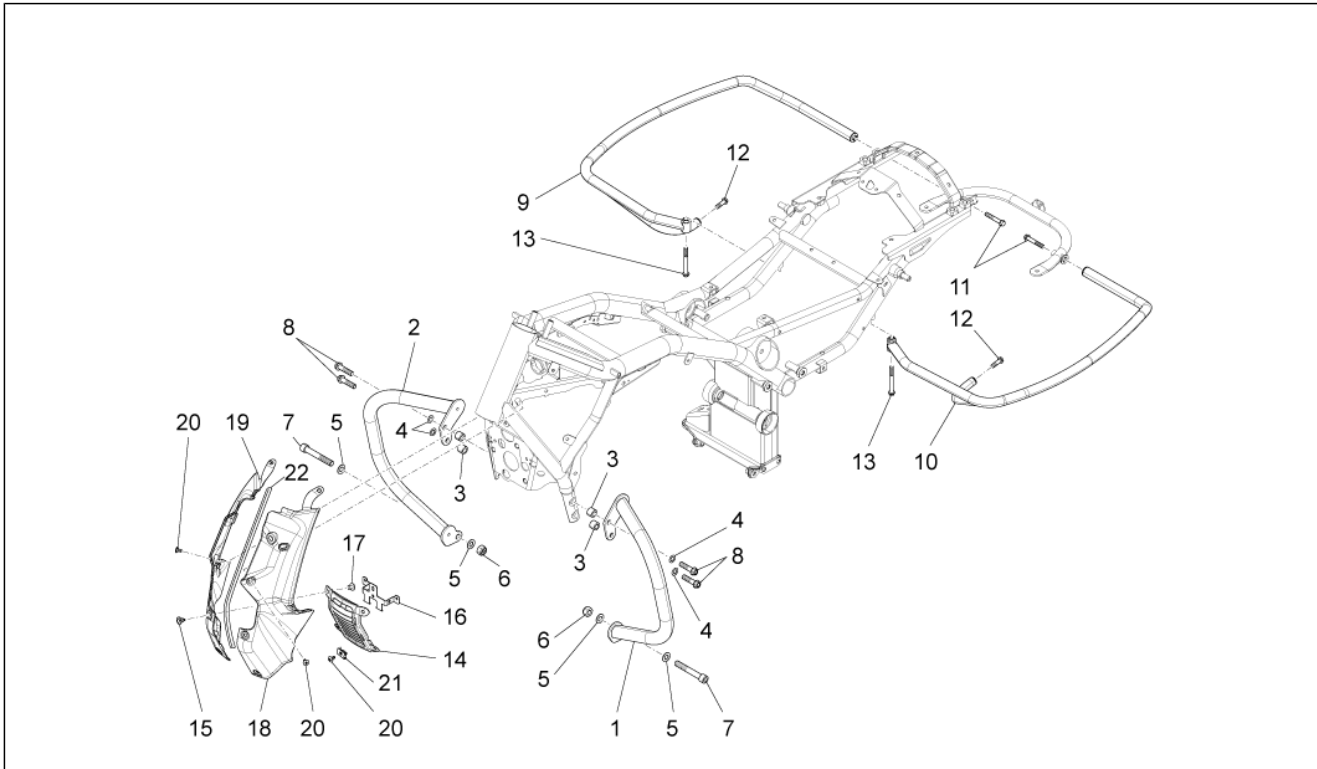
Pos.	Code	Description	Qty	Variants
29	B063591	Spring	2	
30	GU95008308	Washer	1	

Group	Frame
Code	01.030
Description	Central stand
Service	1



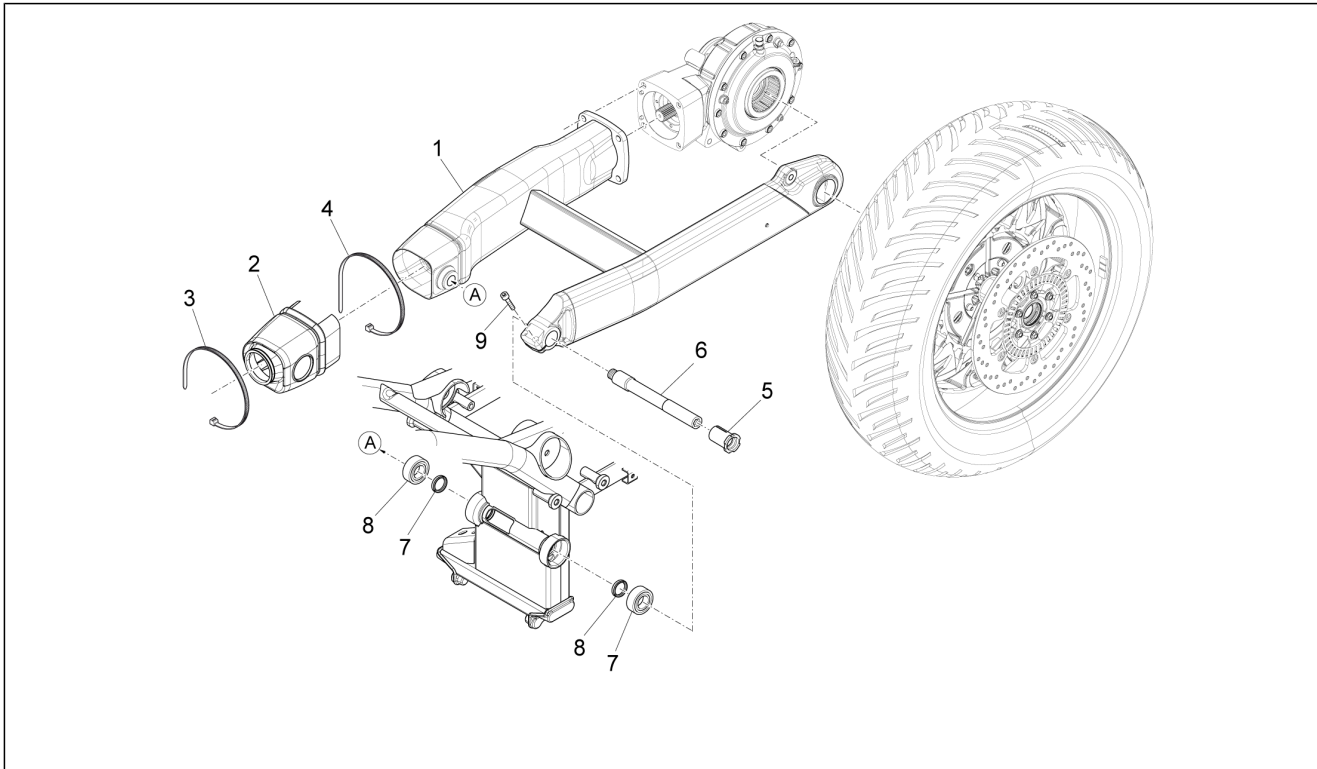
Pos.	Code	Description	Qty	Variants
1	B063430	Complete side stand plate	1	
2	AP8152220	Washer	3	
3	GU98680545	screw M10x45	3	
4	B063786	Lateral stand	1	
5	B063444	Stand rotation pin	1	
6	AP8152135	Nut M12x1,25	1	
7	GU95129240	Washer	1	
8	851550	Lateral stand plate	1	
9	AP8121014	Coil pull spring	1	
10	AP8121015	Lateral stand external spring	1	
11	AP8102524	Stand spring protection	1	
12	639542	Button for side stand	1	
13	GU98612216	Hex socket screw	2	
14	AP8150311	Low self-locking nut	2	
15	GU00823923140	Thermal sheath	1	

Group	Frame
Code	01.040
Description	Protection
Service	1



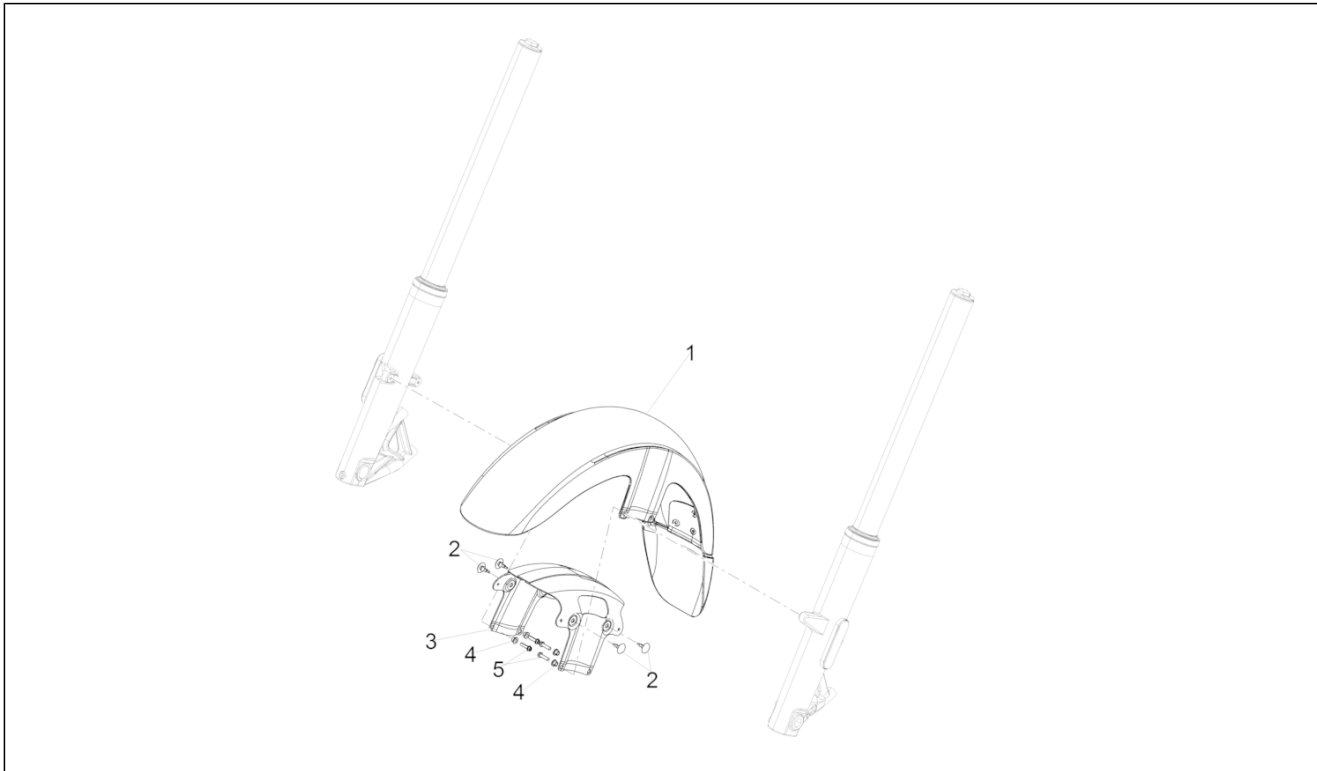
Pos.	Code	Description	Qty	Variants
1	B063577	LH front bumper	1	
2	B063578	RH front bumper	1	
3	B063583	Spacer	4	
4	AP8150292	Curved spring washer *	4	
5	GU95129240	Washer	4	
6	AP8150432	Low self-locking nut M12*	2	
7	GU98690670	Hex socket screw M12x70	2	
8	AP8150494	Screw w/ flange M10x1,25	4	
9	B063626	Fender DX	1	
10	B063625	Fender SX	1	
11	AP8152292	Screw w/ flange M8x50	2	
12	AP8152287	Screw w/ flange M8x25	2	
13	AP8152294	Screw w/ flange	2	
14	B063902	Front grille	1	
15	AP8144616	Rivet, female	4	
16	B064001	Bracket	1	
17	AP8144563	Rivet, male	4	
18	B063717	LH cover	1	
19	B063716	RH cover	1	
20	AP8150500	Hex socket screw M5x9	7	
21	AP8102375	Clip M5	2	
22	GU00823931080	Gasket PVC	2	

Group	Frame
Code	01.050
Description	Swing arm
Service	1



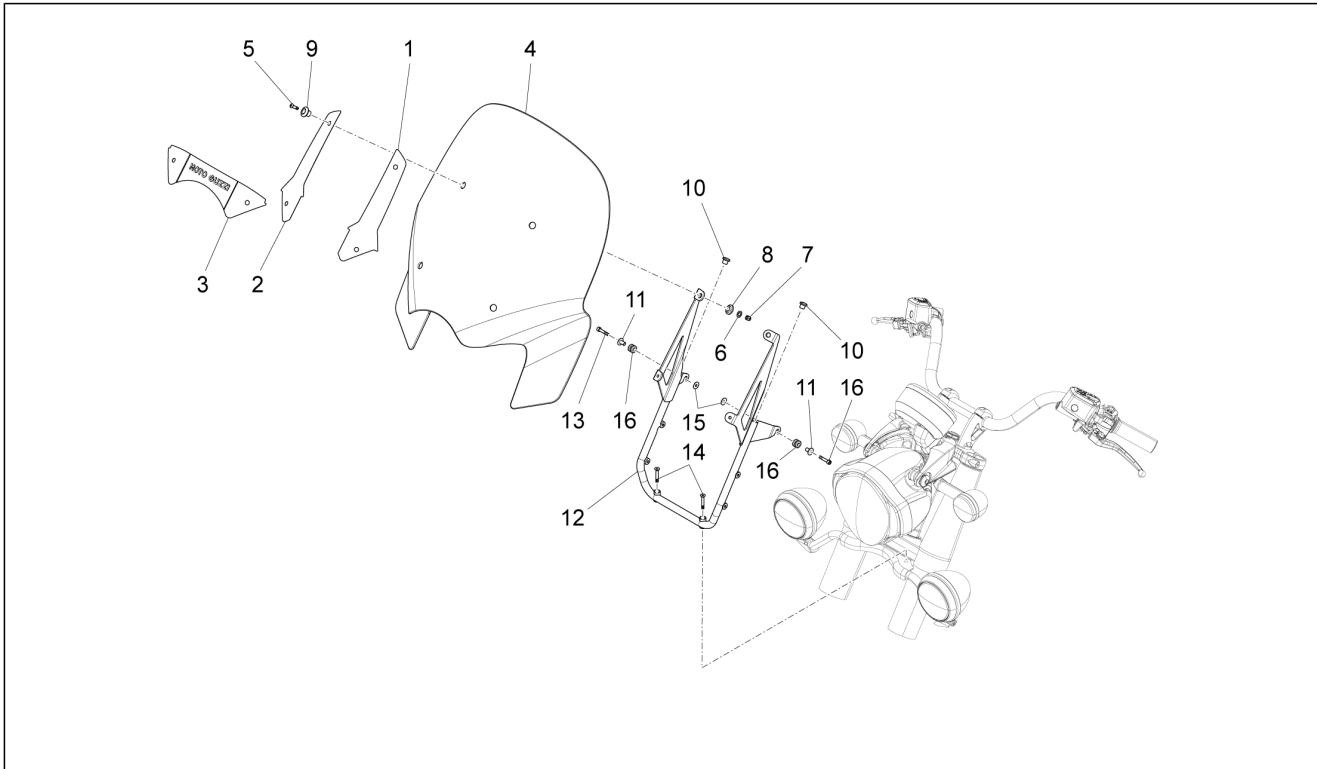
Pos.	Code	Description	Qty	Variants
1	886959	Swing arm	1	
2	887519	Rubber bellows	1	
3	GU93304390	Hose clamp 3,6x375	1	
4	B063759	Hose clamp 4.5x430	1	
5	GU05547130	Bush	1	
6	GU05547030	Pin	1	
7	GU92249224	Roller bearing 25x47x17	2	
8	GU05547930	Gasket ring	2	
9	GU98682325	Hex socket screw M6x25	2	

Group	Body
Code	02.030
Description	Front mudguard-Pillar
Service	1



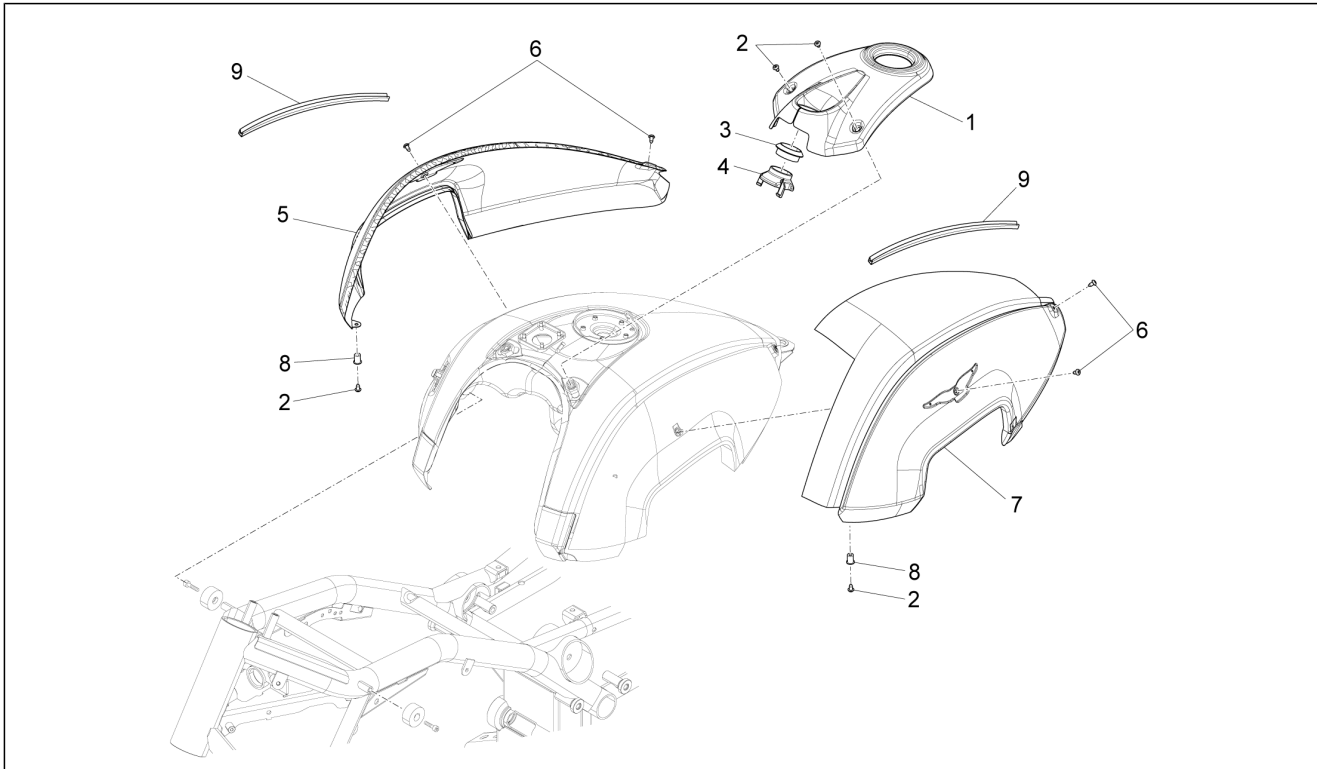
Pos.	Code	Description	Qty	Variants
1	B0640990000YR5	Front mudguard, red	1	Colour:Amaranth red[Ra]
1	B06409900XN2	Front splash guard black	1	Colour:Competition Black[Nc]
1	B064099	Front mudguard raw (unpainted)	1	
1	B06409900BM	White front mudguard	1	Colour:Diamond White[Bd]
2	AP8120001	Rubber spacer	4	
3	2B000041	Mudguard reinforcement	1	
4	2B000056	Bush	4	
5	AP8152274	Screw w/ flange M5x20	4	

Group	Body
Code	02.050
Description	Windshield
Service	1



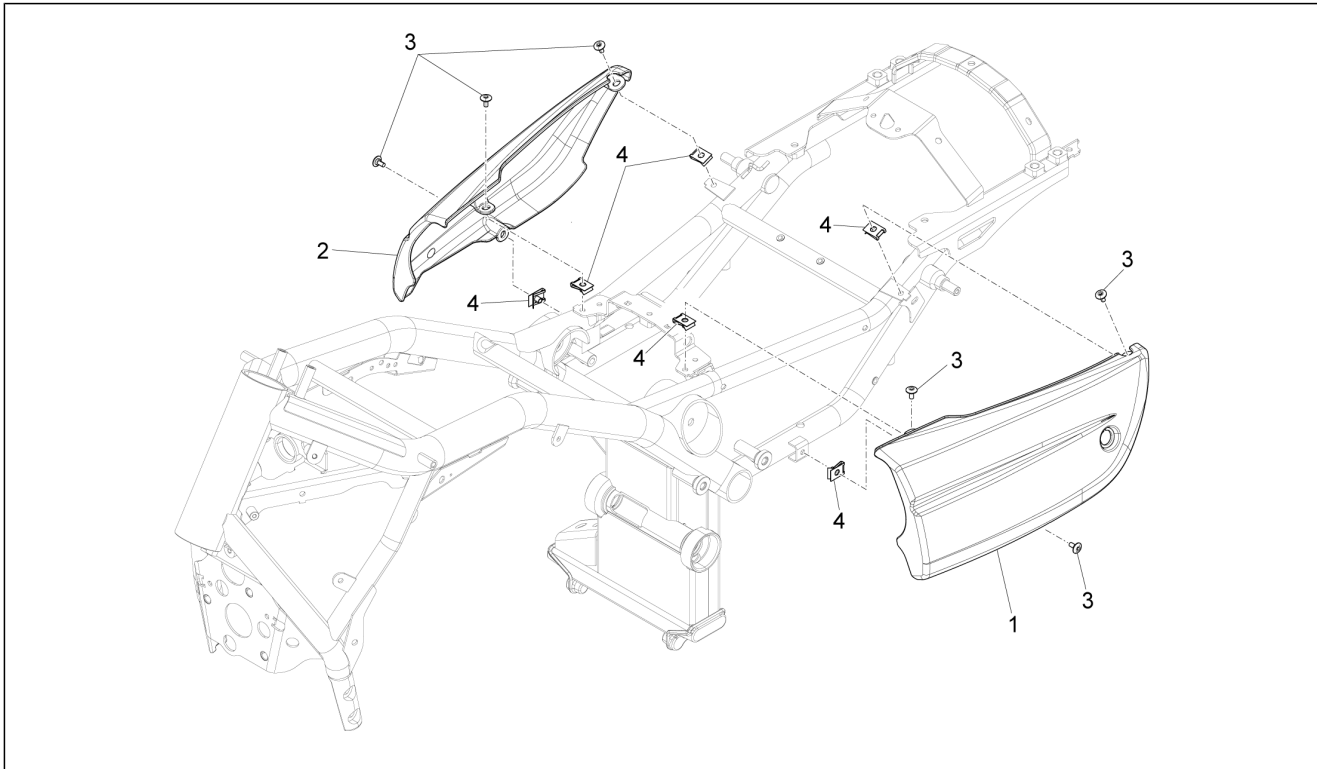
Pos.	Code	Description	Qty	Variants
1	B063792	Left windshield support	1	
2	B063791	Left windshield support	1	
3	B063790	Windscreen support	1	
4	B063721	Windscreen	2	
5	GU98370621	Hex socket screw M6x20	4	
6	AP8150378	Washer 6,4x18x2	2	
7	GU92787006	Cap nut M6x1	4	
8	AP8220241	Rubber spacer *	4	
9	GU03578432	Bushing inox	4	
10	B063831	Cover	2	
11	B063830	Bush 18x6,5x11,5	2	
12	B063984	Front frame	1	
13	GU98370625	Hex socket screw M6x25	2	
14	B064320	Screw M6x40	2	
15	AP8150378	Washer 6,4x18x2	2	
16	GU91551167	Rubber spacer 8x18	2	

Group	Body
Code	02.090
Description	Tank cover
Service	1



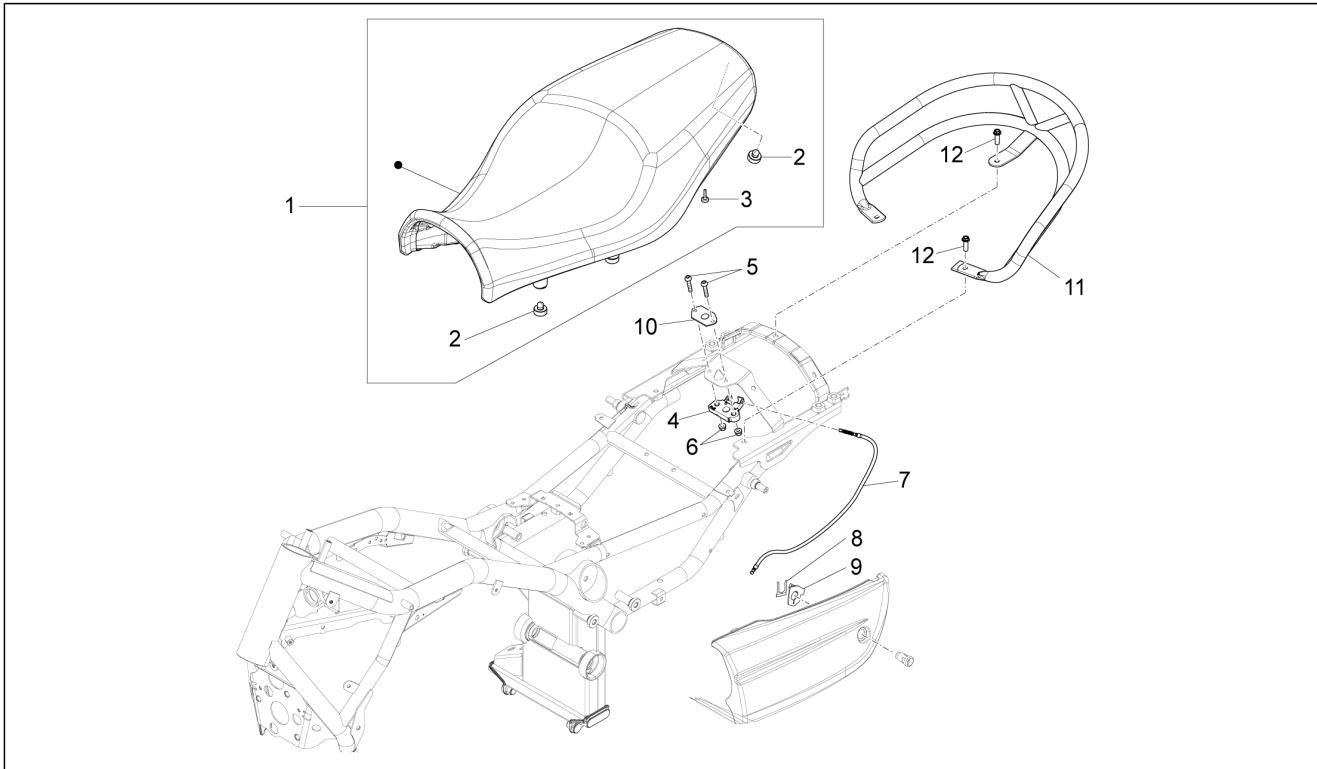
Pos.	Code	Description	Qty	Variants
1	B063478	Key dashboard	1	
2	GU98370516	Hex socket screw	4	
3	AP8127461	Main switch seal	1	
4	898136	Immobilizer aerial protection	1	
5	B063181	Unfinished right tank support	1	
5	B06408400XN2	Right tank support black comp.	1	Colour:Competition Black[Nc] Technical Specification:Decal[CD]
5	2H000560000YR5	RH pad,red	1	Colour:Amaranth red[Ra] Technical Specification:Decal[CD]
5	B06408600BM	RH pad,white	1	Colour:Diamond White[Bd] Technical Specification:Decal[CD]
6	GU98350210	Hex socket screw	4	
7	B06408700BM	LH pad,white	1	Colour:Diamond White[Bd] Technical Specification:Decal[CD]
7	B06408500XN2	Left tank support black comp.	1	Colour:Competition Black[Nc] Technical Specification:Decal[CD]
7	B063182	Unfinished left tank support	1	
7	2H000561000YR5	LH pad,red	1	Colour:Amaranth red[Ra] Technical Specification:Decal[CD]
8	AP8120405	Rubber spacer	2	
9	GU00823931055	Gasket	2	

Group	Body
Code	02.100
Description	Central body
Service	1



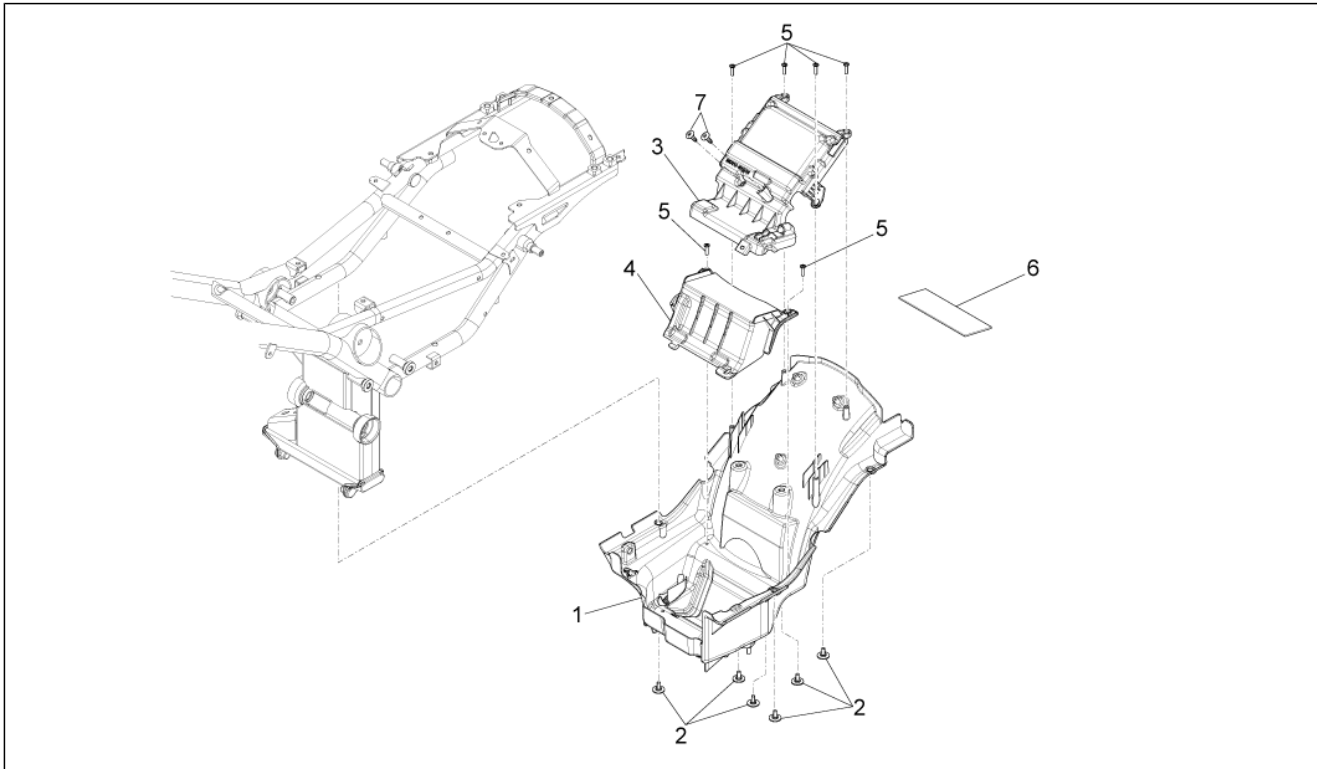
Pos.	Code	Description	Qty	Variants
1	B06401900XN2	LH side panel, black	1	Colour: Competition Black[Nc] Technical Specification: Without Decal[ND]
1	B064019	LH side panel, blank	1	
1	B06401900BM	LH side panel, white	1	Colour: Diamond White[Bd] Technical Specification: Without Decal[ND]
1	B0640190000YR5	LH side panel, red	1	Colour: Amaranth red[Ra] Technical Specification: Without Decal[ND]
2	8879900000YR5	RH side panel, red	1	Colour: Amaranth red[Ra] Technical Specification: Without Decal[ND]
2	88799000XN2	RH side panel, black	1	Colour: Competition Black[Nc] Technical Specification: Without Decal[ND]
2	887990	RH side panel, blank	1	
2	88799000BM	RH side panel, white	1	Colour: Diamond White[Bd] Technical Specification: Without Decal[ND]
3	AP8152339	Screw w/ flange M5x9	6	
4	AP8102375	Clip M5	6	

Group	Body
Code	02.120
Description	Saddle
Service	1



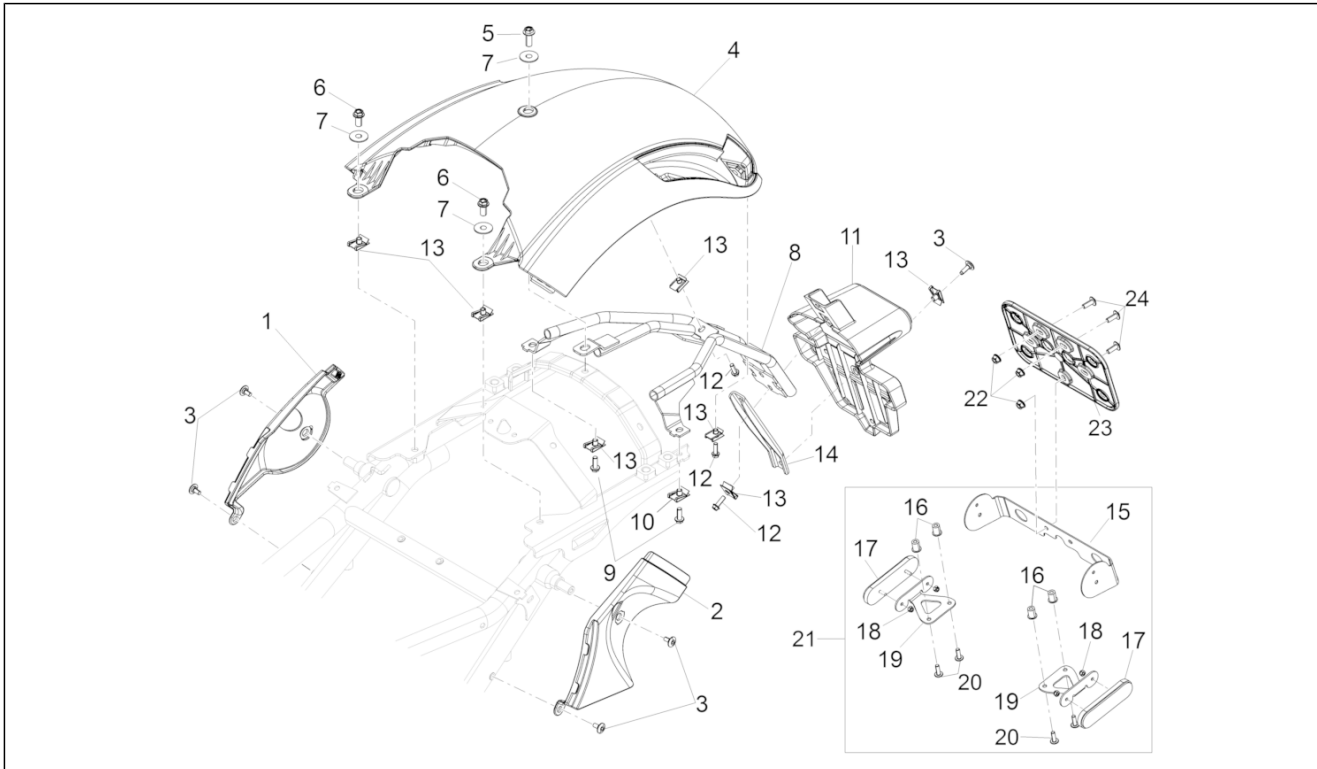
Pos.	Code	Description	Qty	Variants
1	88749400000C2	Saddle, black	1	Colour:Amaranth red[Ra]
1	88749400C1	Saddle	1	Colour:Competition Black[Nc] Diamond White[Bd]
2	B064023	Saddle rubber	10	
3	B064024	Saddle rubber	1	
4	AP8102913	Pass.saddle connecting plate	1	
5	AP8152117	TBEI M6x25 screw	2	
6	AP8152299	Self-locking nut M6	2	
7	B063439	Saddle release cable	1	
8	978415	Cable fixing plate	1	
9	AP8121420	Fork spring	1	
10	886820	Saddle lock fix.plate	1	
11	887865	Pillion grab bar	1	
12	AP8152287	Screw w/ flange M8x25	3	

Group	Body
Code	02.130
Description	Saddle compartment
Service	1



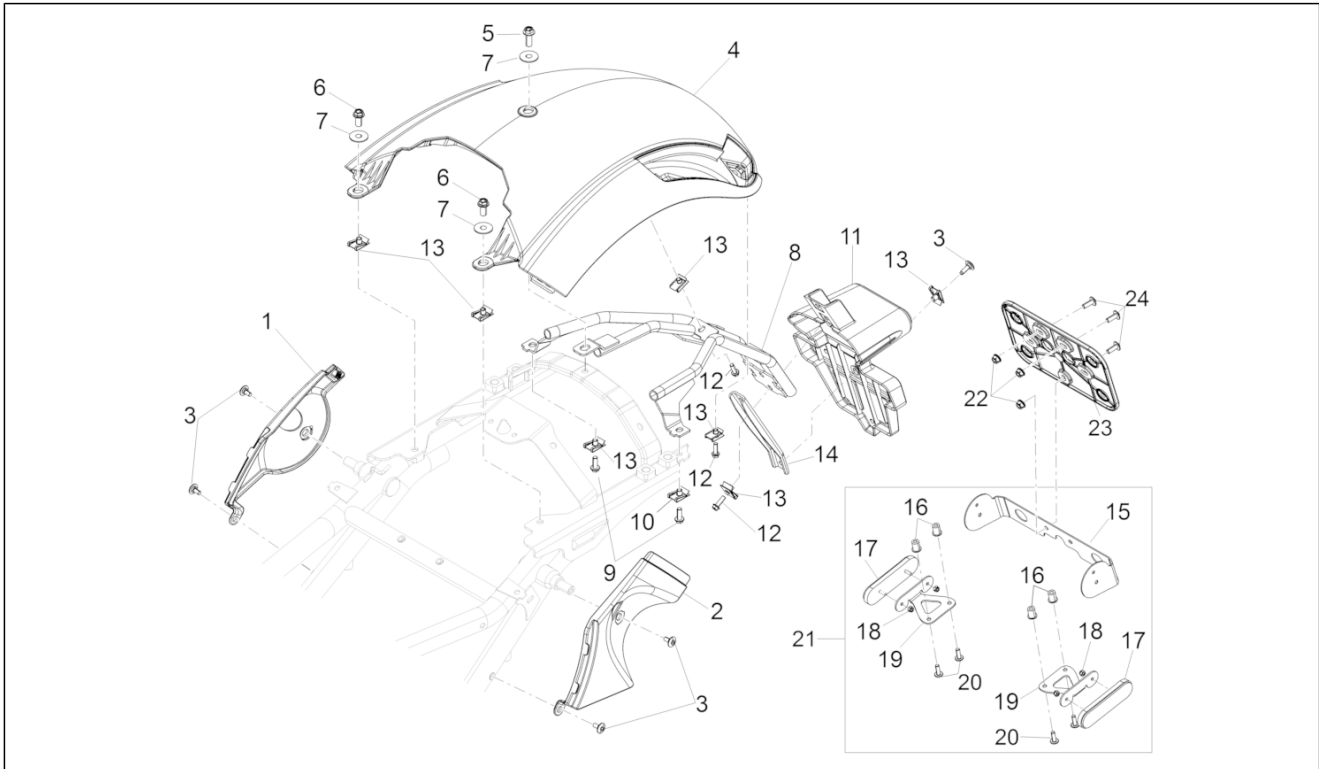
Pos.	Code	Description	Qty	Variants
1	887488	Seat housing lower closing	1	
2	976591	Special screw	8	
3	887802	Battery cover	1	
4	887547	Battery holder	1	
5	AP8152329	Phillips screw, SWP M5x20	6	
6	AP8144552	Lat.battery support rubber	3	
7	AP8152302	Screw w/ flange M5x12	2	

Group	Body
Code	02.150
Description	Rear mudguard
Service	1



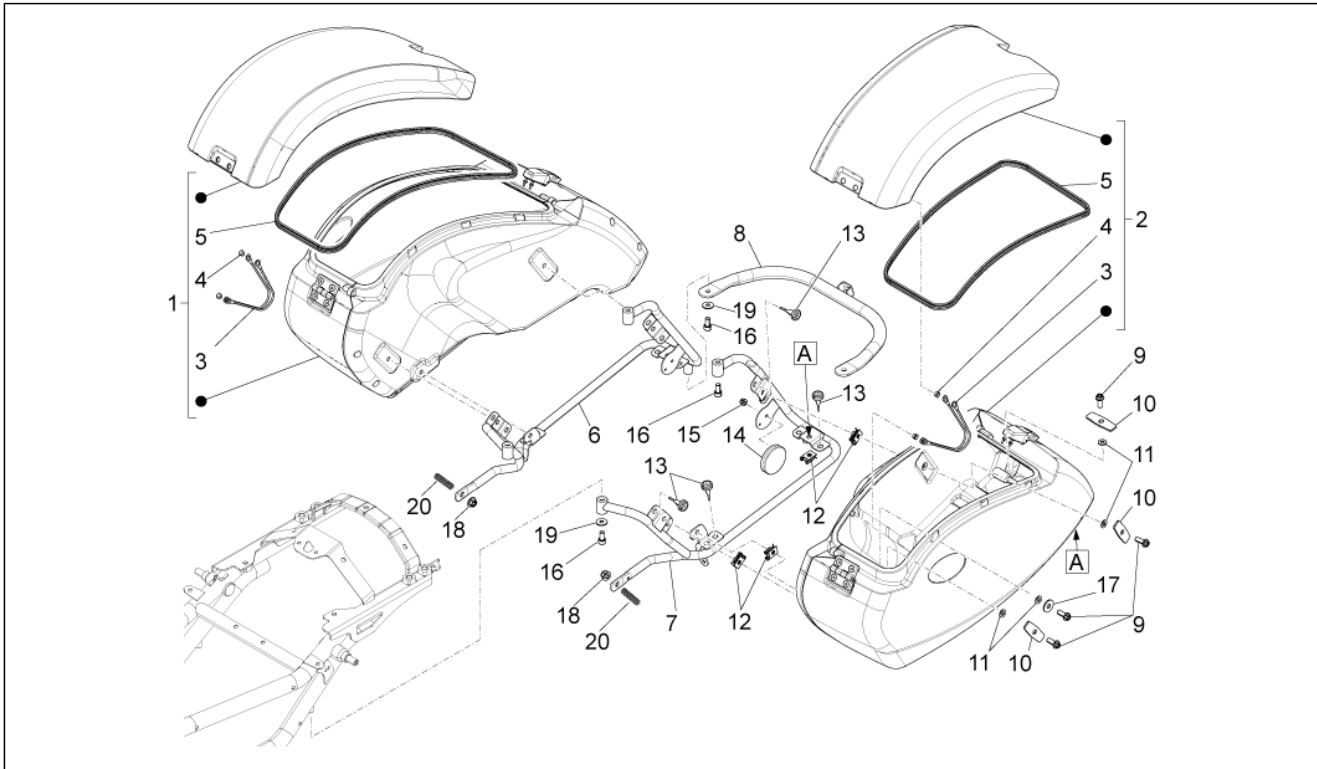
Pos.	Code	Description	Qty	Variants
1	B06311600BM	White right shock absorber closing	1	Colour:Diamond White[Bd]
1	B0631160000YRS	Right shock absorber closing	1	Colour:Amaranth red[Ra]
1	B06311600XN2	Black right shock absorber closing	1	Colour:Competition Black[Nc]
1	B063116	Unfinished right shock absorber closing	1	
2	B06311700XN2	Black left shock absorber closing	1	Colour:Competition Black[Nc]
2	B063117	Unfinished left shock absorber closing	1	
2	B06311700BM	White left shock absorber closing	1	Colour:Diamond White[Bd]
2	B0631170000YRS	Left shock absorber closing	1	Colour:Amaranth red[Ra]
3	AP8152339	Screw w/ flange M5x9	5	
4	88748700000YRS	Rear mudguard, red	1	Colour:Amaranth red[Ra]
4	88748700XN2	Rear mudguard, black	1	Colour:Competition Black[Nc]
4	887487	Rear mudguard blank	1	
4	88748700BM	Rear mudguard, white	1	Colour:Diamond White[Bd]
5	AP8152285	Screw w/ flange	1	
6	AP8152273	Screw w/ flange M5x15	2	
7	AP8121114	T bush *	3	
8	B063302	Mudguard sub-frame with I.P.	1	
9	AP8152278	Screw w/ flange M6x16	2	
10	254485	Spring plate M6	2	
11	B063303	Number plate support	1	
12	AP8152273	Screw w/ flange M5x15	4	
13	AP8102375	Clip M5	5	
14	B063870	Number plate support	1	
15	2B000160	Lat. reflectors support	1	
16	AP8120531	Rubber w/ insert	4	
17	AP8124718	Rear reflector, red	2	
18	AP8150204	Nut M4	4	
19	2B000159	Reflector support	2	

Group	Body
Code	02.150
Description	Rear mudguard
Service	1



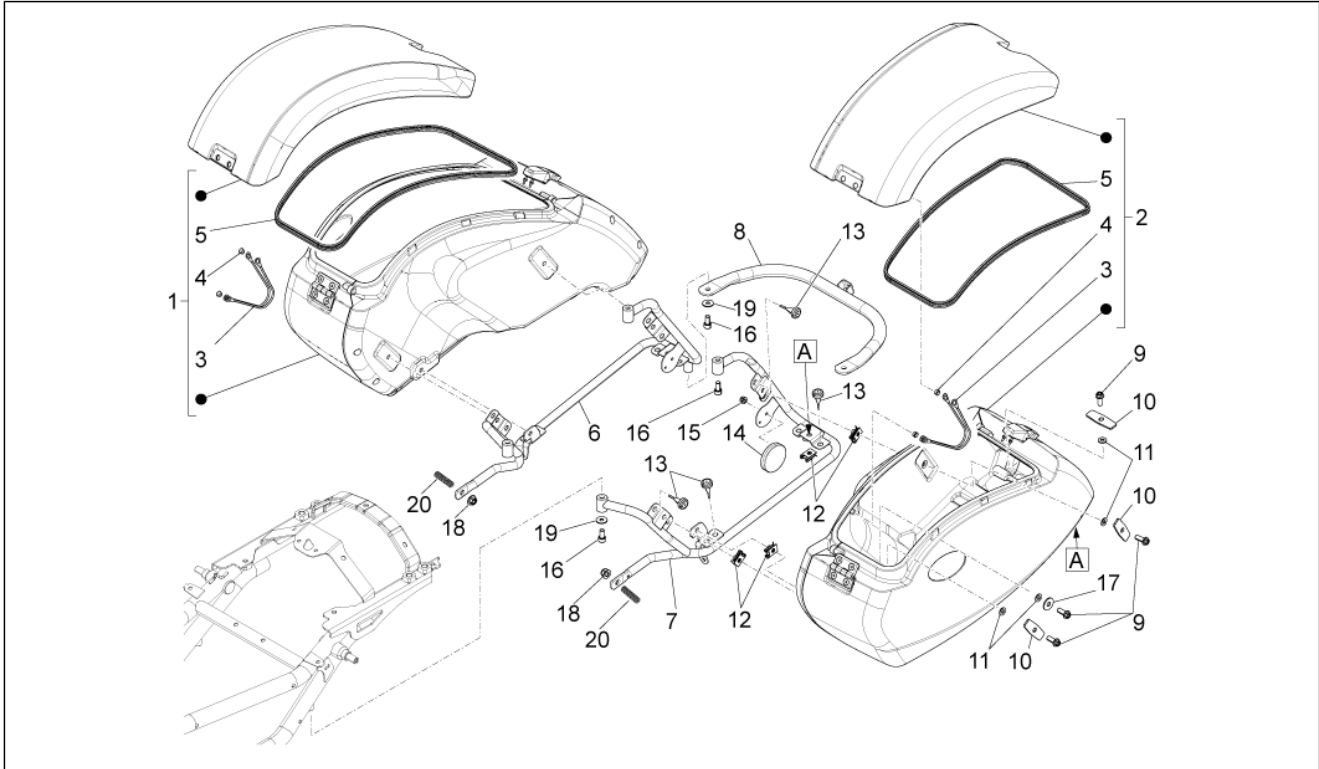
Pos.	Code	Description	Qty	Variants
20	AP8152298	Screw w/ flange M5x16	4	
21	2B000082	Rear retroreflector kit USA-CDN	1	
22	AP8152299	Self-locking nut M6	3	
23	AP8149034	Number plate support	1	
24	AP8152246	Screw w/ flange M6x16	3	

Group	Body
Code	02.165
Description	Side cases
Service	1



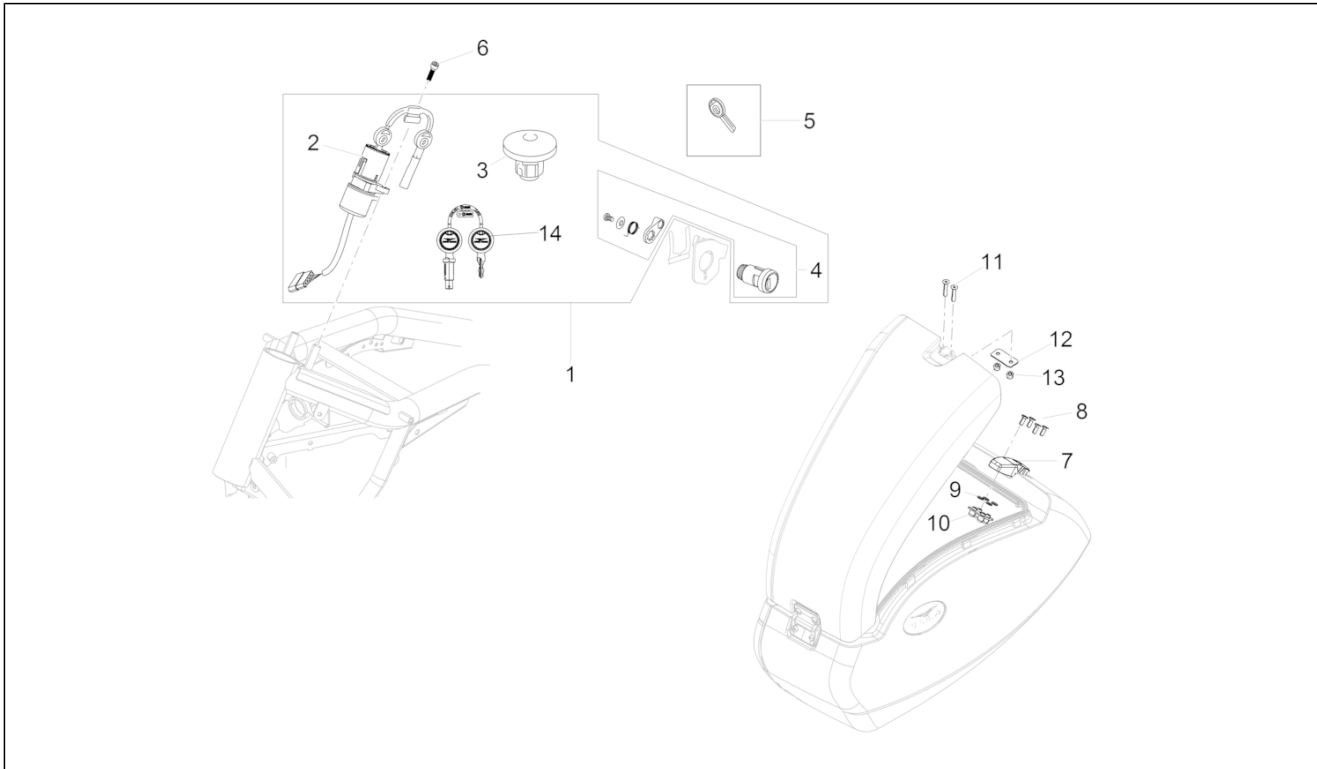
Pos.	Code	Description	Qty	Variants
1	B06325400BM	RH side case assy., white	1	Colour: Diamond White[Bd] Technical Specification: Decal[CD]
1	B06325400XN2	Complete black right suitcase	1	Colour: Competition Black[Nc] Technical Specification: Decal[CD]
1	B0632540000YR5	RH case, red	1	Colour: Amaranth red[Ra] Technical Specification: Decal[CD]
2	B06325500BM	LH side case assy., white	1	Colour: Diamond White[Bd] Technical Specification: Decal[CD]
2	B06325500XN2	Complete black left suitcase	1	Colour: Competition Black[Nc] Technical Specification: Decal[CD]
2	B0632550000YR5	LH case, red	1	Colour: Amaranth red[Ra] Technical Specification: Decal[CD]
3	AP8201855	Rear fairing cable	2	
4	AP8706322	Stand coupling bushing	4	
5	B063587	Suitcase gasket	2	
6	887946	RH support	1	
7	887945	LH support	1	
8	B063289	Connection pipe with IP BLACK	1	
8	B063632	Connection pipe with IP Chrome	1	
9	AP8152286	Screw w/ flange M8x20	6	
10	B063932	Suitcase fixing plate	6	
11	AP8120592	Washer	8	
12	575268	Spring plate M8	8	
13	AP8220238	Rubber spacer	16	
14	AP8224164	Rear reflector, red	2	
15	AP8152306	Self-locking nut M5	2	
16	GU98682416	Hex socket screw M8x16	6	
17	AP8150018	Washer	1	
18	AP8152300	Self-locking nut M8	2	

Group	Body
Code	02.165
Description	Side cases
Service	1



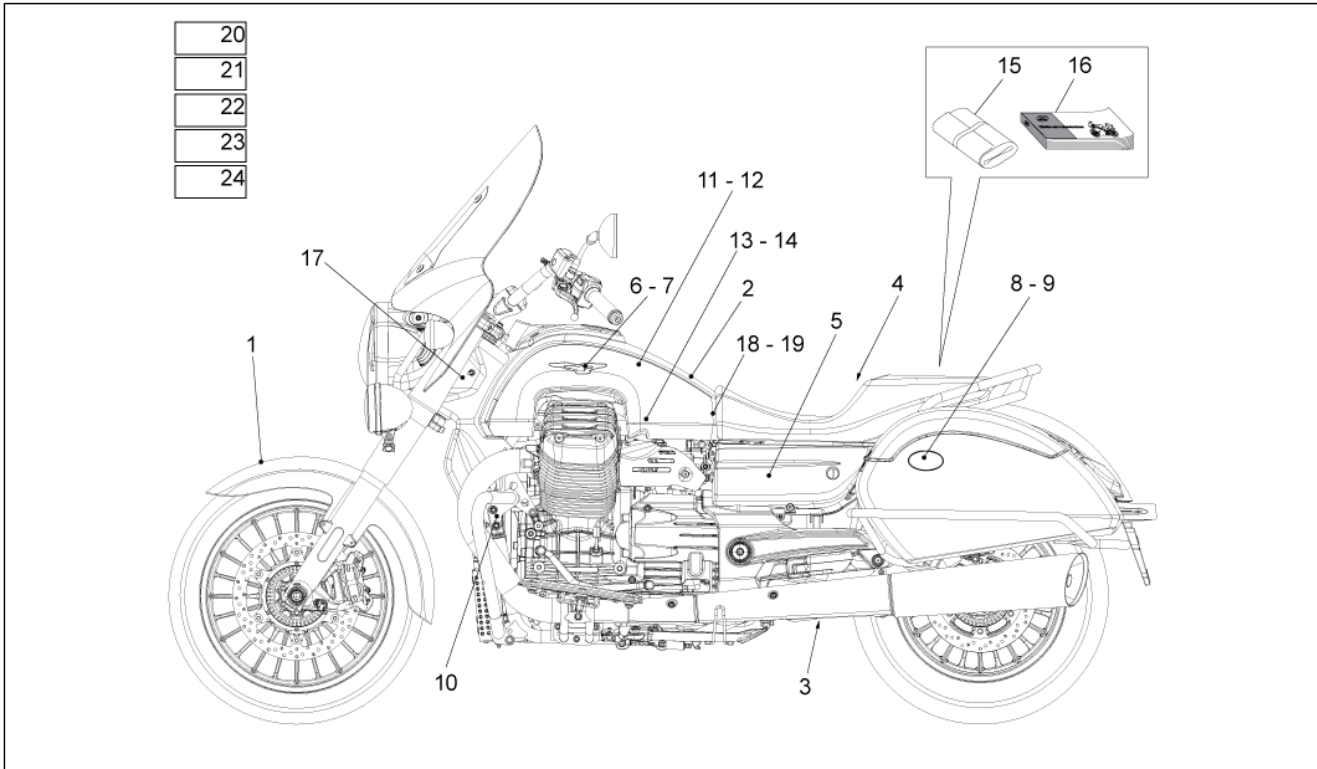
Pos.	Code	Description	Qty	Variants
19	GU14615901	Washer 8,4X13X0,8	6	
20	B064079	Threaded pin	2	

Group	Body
Code	02.170
Description	Locks
Service	1



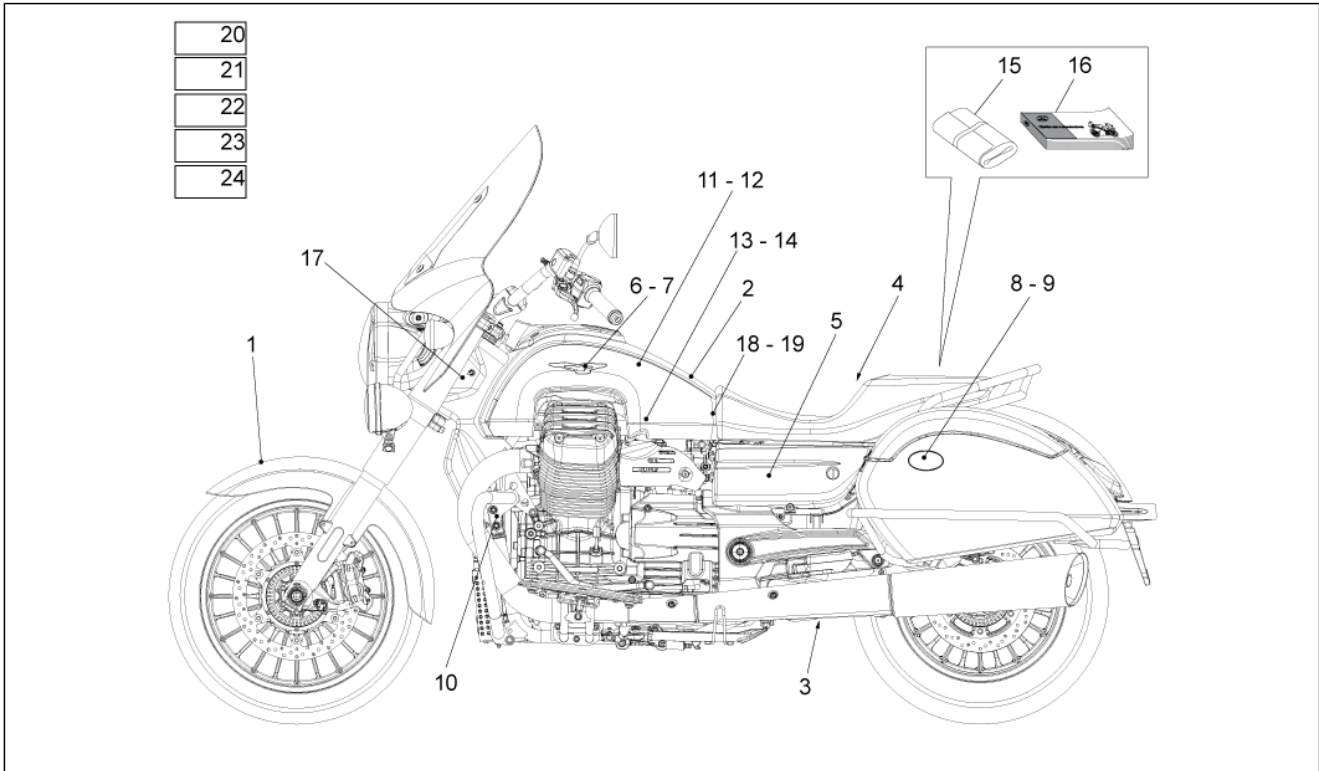
Pos.	Code	Description	Qty	Variants
1	B063709	Lock kit	1	
2	2D000003	Key switch	1	
3	883476	Tank cap	1	
4	977527	Locking complete with keys	1	
5	2D000004	Key with simple transponder	1	
6	GU98682414	Hex socket screw	2	
7	B063574	Locking complete with keys	1	
8	B063736	Screw M3x8	1	
9	873097	O-ring	4	
10	B063584	Lock fix.plate	1	
11	B064048	TSPEI inox screw UNI 5933	2	
12	B064143	Lock attachment plate	1	
13	B005195	Self locking nut m3	2	
14	2D000006	Locking cylinder with key for fuel cap	1	

Group	Body
Code	02.190
Description	Decal
Service	1



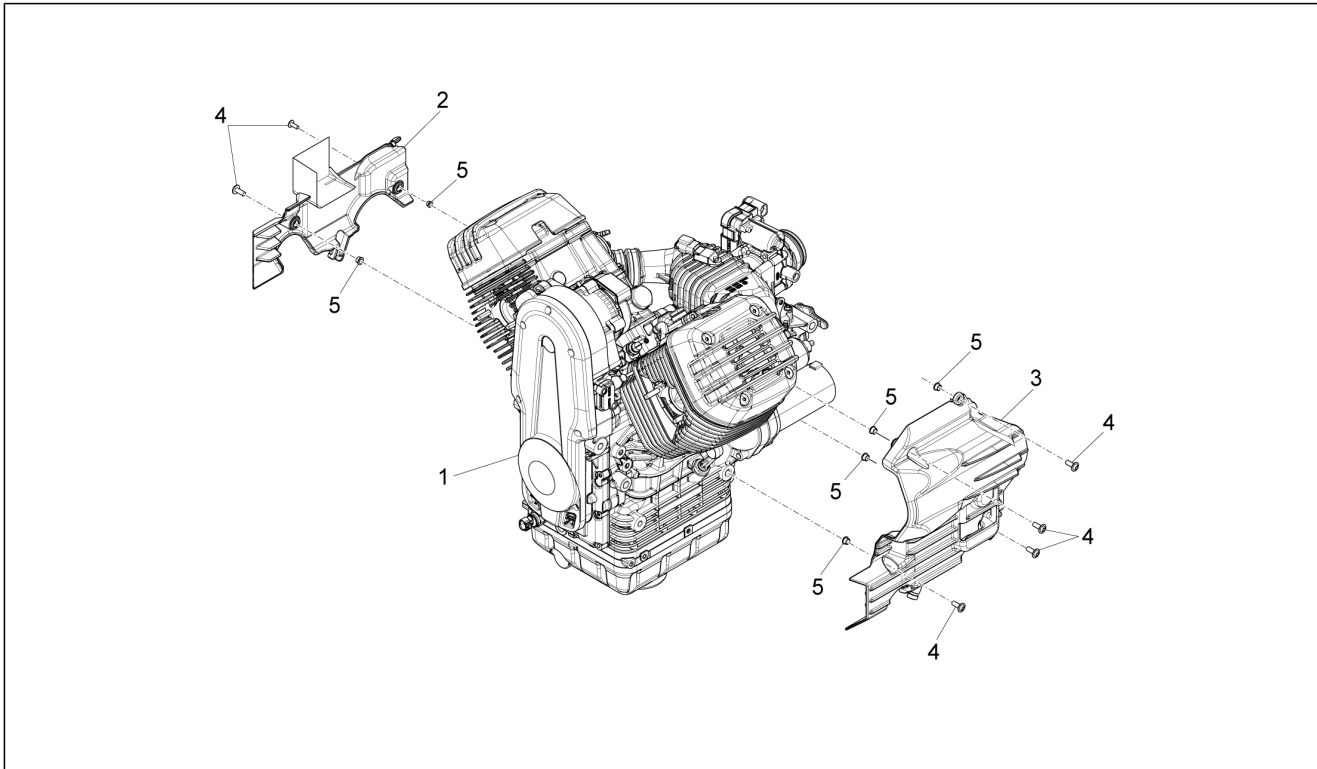
Pos.	Code	Description	Qty	Variants
1	886141	Decal "Aquila"	1	
2	GU05944930	Decal Engine Start	1	
3	895839	""Eni"" label"	1	
4	B063819	Tyre pressure decal	1	
5	B063950	""California"" label right-left side cover"	2	
6	B063642	Right tank logo	1	
7	B063643	Left tank logo	1	
8	B064261	"Moto Guzzi" LH decal	1	
9	B064260	"Moto Guzzi" RH decal	1	
10	GU05944530	Decal Warning	1	
11	B064075	Tank support right upper thread decal	1	Colour:Diamond White[Bd]
11	B064071	Tank support right upper thread decal	1	Colour:Competition Black[Nc]
11	2H000555	Tank support right upper thread decal	1	Colour:Amaranth red[Ra]
12	B064072	Tank support left lower thread decal	1	Colour:Competition Black[Nc]
12	B064076	Tank support left upper thread decal	1	Colour:Diamond White[Bd]
12	2H000556	Tank support left upper thread decal	1	Colour:Amaranth red[Ra]
13	B064073	Tank support right lower thread decal	1	Colour:Competition Black[Nc]
13	B064077	Tank support right lower thread decal	1	Colour:Diamond White[Bd]
13	2H000557	Tank support right lower thread decal	1	Colour:Amaranth red[Ra]
14	2H000558	Tank support left lower thread decal	1	Colour:Amaranth red[Ra]
14	B064074	Tank support left lower thread decal	1	Colour:Competition Black[Nc]
14	B064078	Tank support left lower thread decal	1	Colour:Diamond White[Bd]
15	887443	Toolkit	1	
16	2B000083	Op's handbook USA-CND	1	
17	B064025	Fog light decal	1	
18	2B000031	RH Guard decal	1	
19	2B000032	LH Guard decal	1	
20	2G000050	Noise emission sticker	1	

Group	Body
Code	02.190
Description	Decal
Service	1



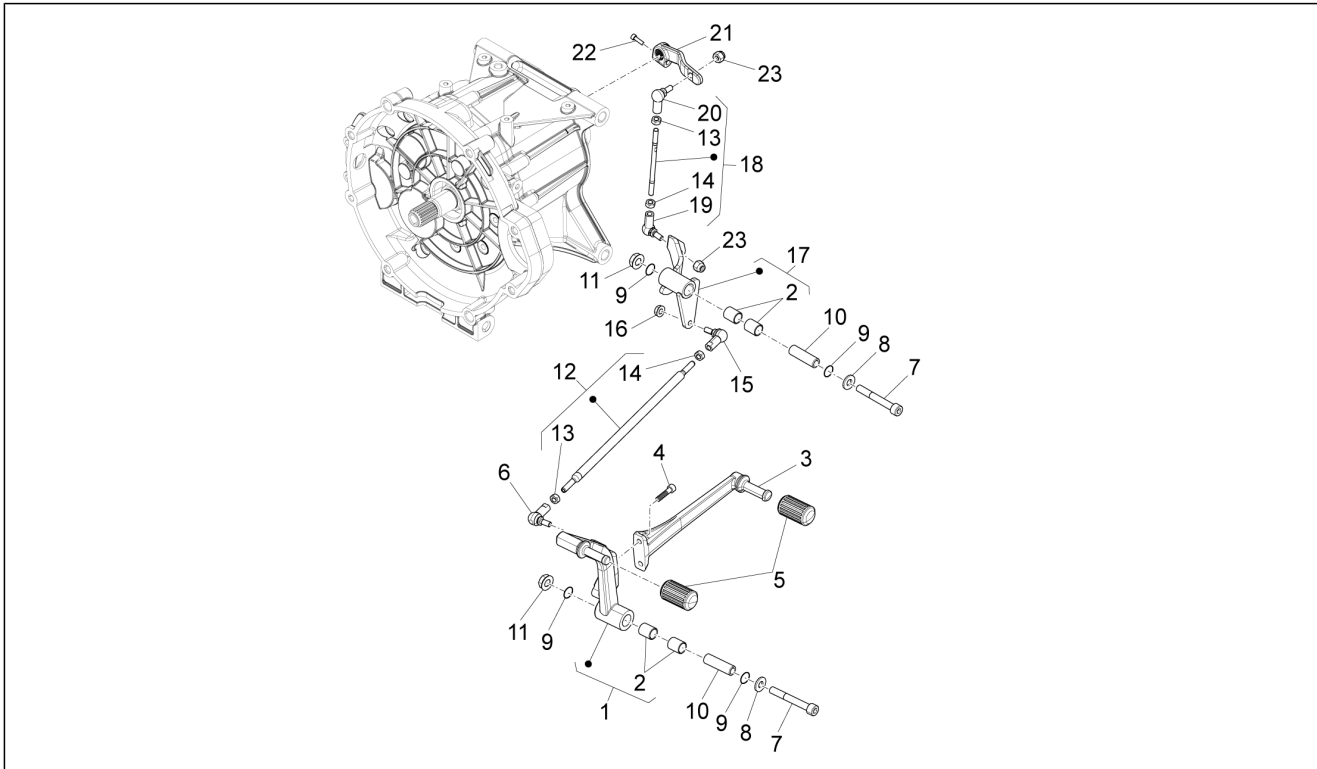
Pos.	Code	Description	Qty	Variants
21	2G000051	Emission control sticker	1	
22	2G000052	Shed scheme decal	1	
23	B064117	Tyre pressure decal	1	
24	672381	Name plate ices-002	1	Country:Canadian[CND]

Group	Engine
Code	03.010
Description	Engine-Completing part-Lever
Service	1



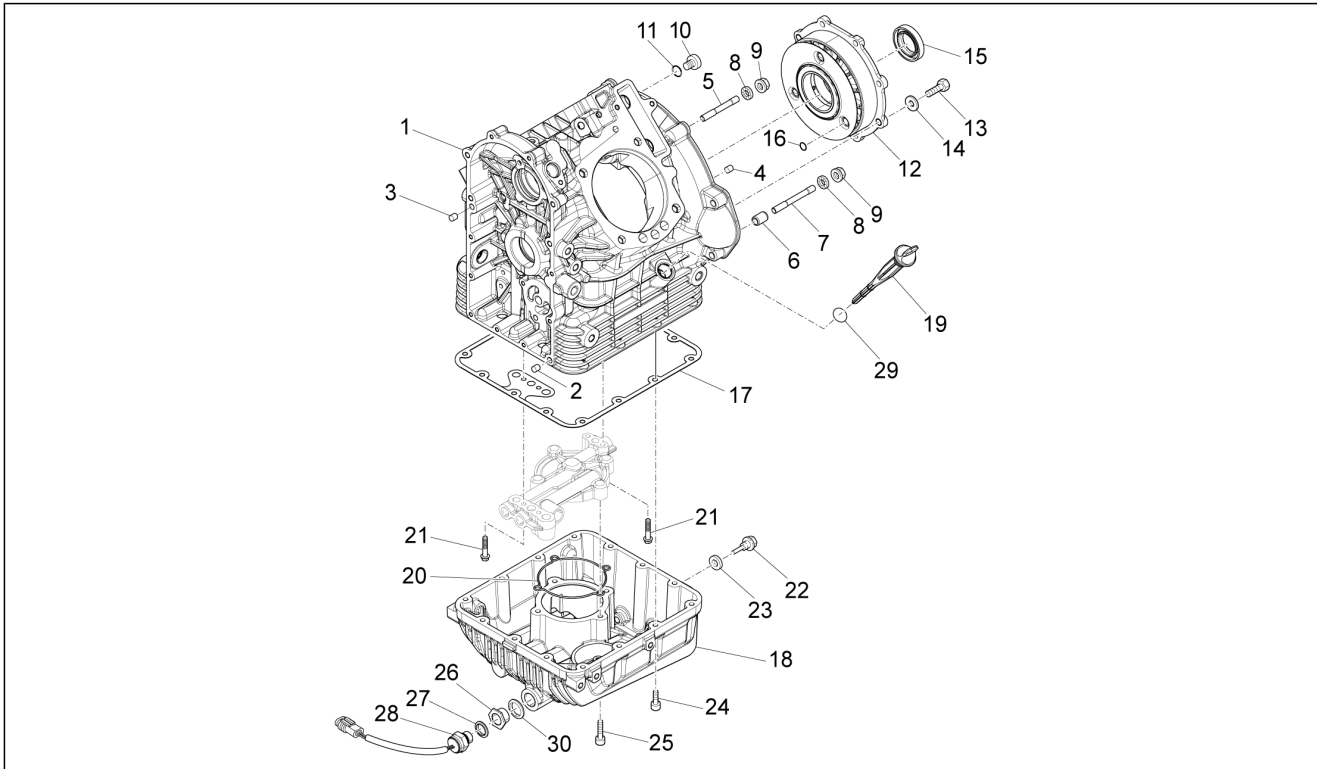
Pos.	Code	Description	Qty	Variants
1	9769965	Engine assy w/hout transm.	1	
2	B063306	Rh cover	1	
3	B06314300XNH	Starter motor cover, painted	1	
3	B063143	Starter motor cover, unpainted	1	
4	GU98210616	Screw w/ flange M6x16 inox	6	
5	GU91120606	Bushing 6,8x8,8x5,8	6	

Group	Engine
Code	03.020
Description	Gear lever
Service	1



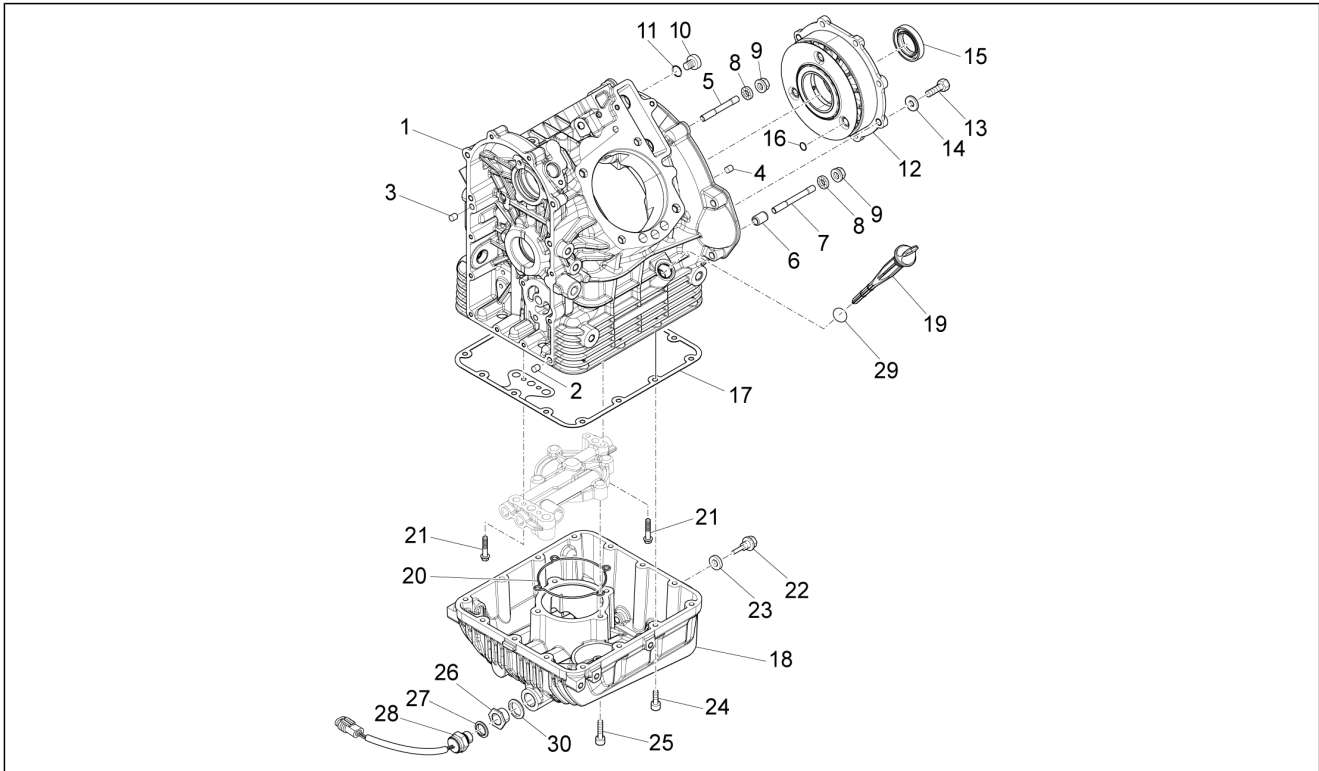
Pos.	Code	Description	Qty	Variants
1	B063035	Gear lever I	1	
2	895328	Sintered bushing	2	
3	B063751	Gear lever II	1	
4	GU98682325	Hex socket screw M6x25	2	
5	GU13432640	Rubber pedal	2	
6	898397	Left ball joint M6	1	
7	GU98680460	Hex socket screw M8x60	2	
8	GU95008308	Washer	2	
9	AP8144007	O-ring 11,11x1,78	4	
10	B063903	Spacer	2	
11	AP8152300	Self-locking nut M8	2	
12	887510	Tie rod assembly	1	
13	GU92606206	Nut	1	
14	GU31256881	LH thread nut M6	1	
15	898396	RH ball joint M6	1	
16	GU92630707	Nut M6	1	
17	887318	Lever	1	
18	B063639	Tie rod assembly	1	
19	AP8210007	RH ball joint M6	1	
20	AP8110053	Left ball joint M6	1	
21	GU05256930	Lever	1	
22	GU98682320	Hex socket screw M6x20	1	
23	GU92630206	Self-locking nut M6x1	2	

Group	Engine
Code	03.030
Description	Crankcases I
Service	1



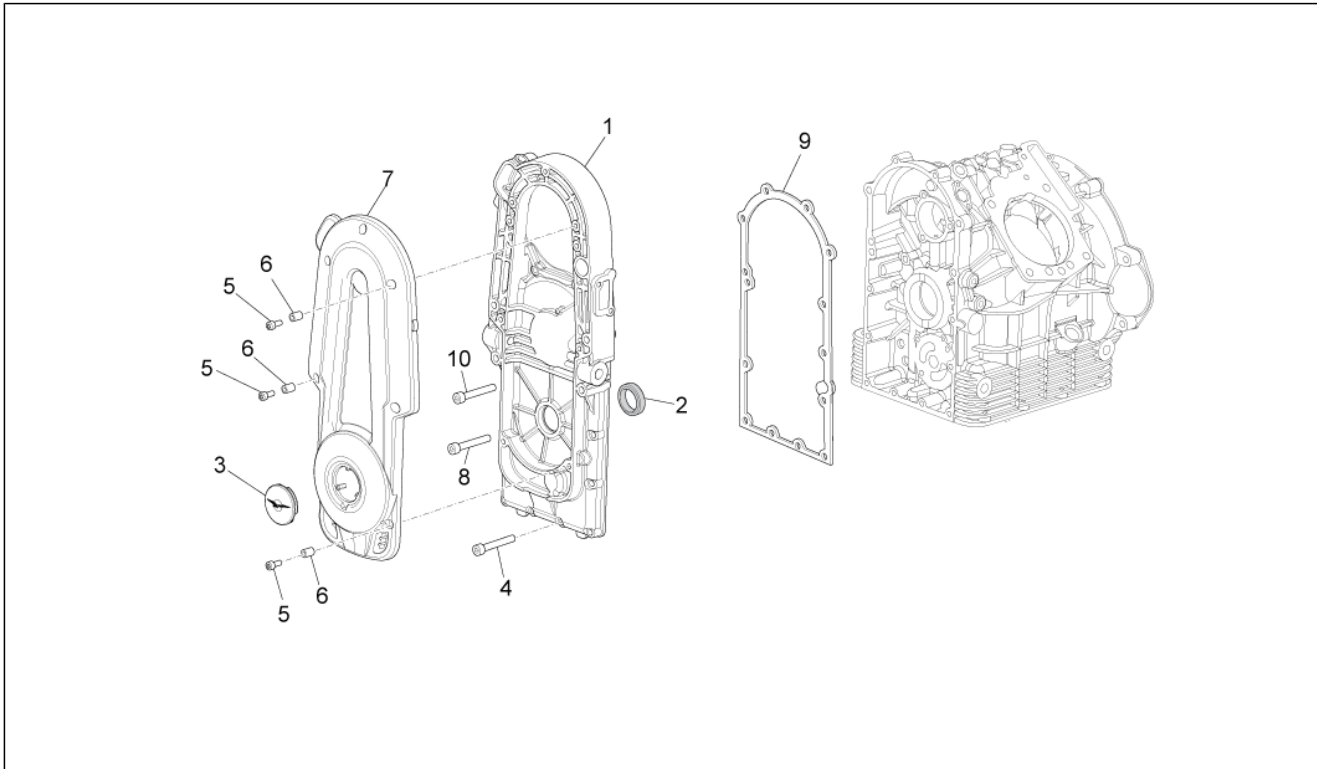
Pos.	Code	Description	Qty	Variants
1	886908	Crankcase, grey	1	
2	411209	Pin	2	
3	GU95512081	Pin	2	
4	560110	Pin	1	
5	GU96508066	Stud bolt M8x66	3	
6	GU12018900	Coupling bush	2	
7	GU96508075	Stud bolt M8x75	2	
8	GU14615901	Washer 8,4X13X0,8	5	
9	GU92660021	Flanged nut M8	5	
10	GU12022600	Oil plug	2	
11	GU90706203	O-ring 20,24X2,62	2	
12	976703	Complete flange	1	
13	GU98084425	Hex screw M8x25	8	
14	GU61270300	Spring washer 8x15x0,3	8	
15	GU90405367	Gasket ring	1	
16	1A008362	Seal ring (o-ring)	1	
17	B063861	Sump gasket	1	
18	B063271	Motor oil cup	1	
19	B063898	Oil dipstick	1	
20	B063850	Gasket	1	
21	AP8152284	Screw w/ flange	4	
22	GU31003766	Oil unload plug M10x1	1	
23	GU01528930	Gasket 10x18x1,5	1	
24	GU98682330	Hex socket screw M6x20	14	
25	AP8150285	Hex socket screw M6x35	4	
26	B063846	Joint	1	
27	GU01154230	Gasket	1	
28	B063461	Thermometric switch	1	

Group	Engine
Code	03.030
Description	Crankcases I
Service	1



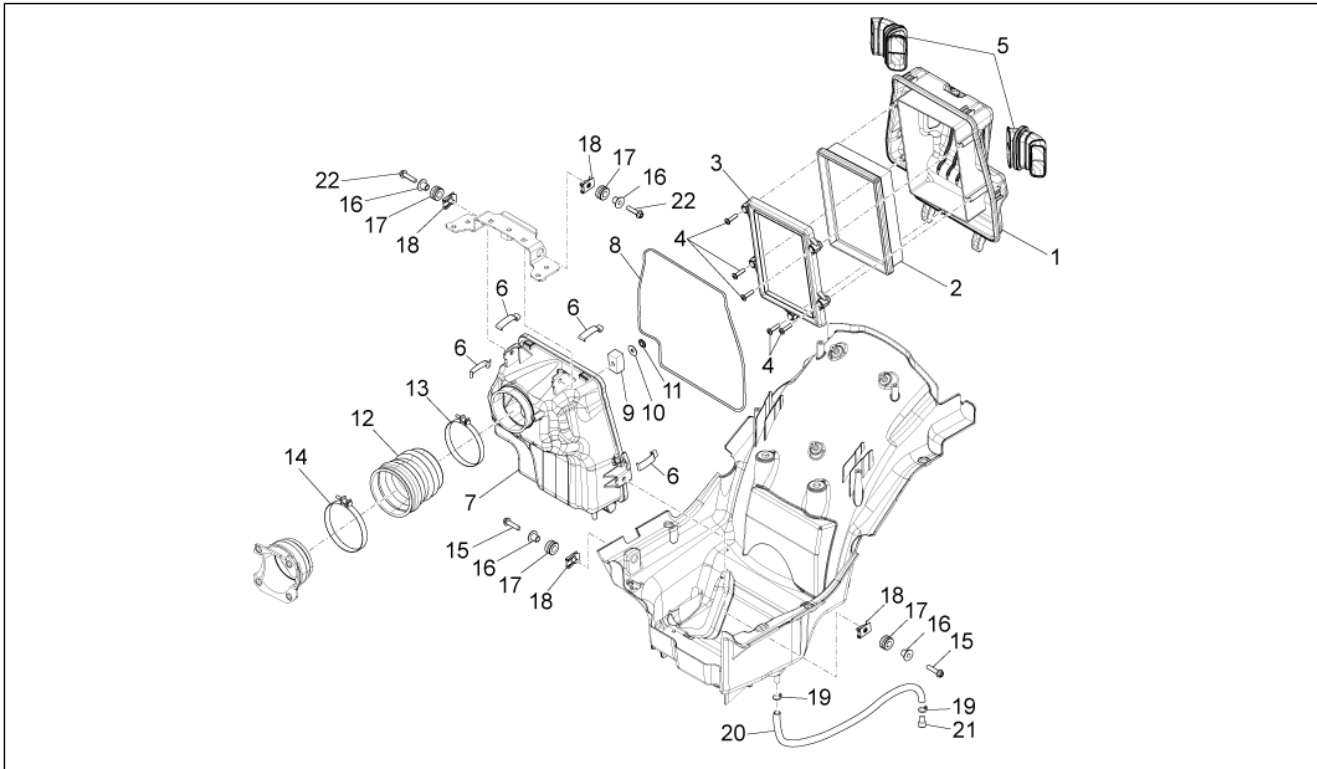
Pos.	Code	Description	Qty	Variants
29	GU90706178	O-ring 17,86X2,62	1	
30	GU95100709	Gasket 20,1x28x2	1	

Group	Engine
Code	03.040
Description	Crankcases I
Service	1



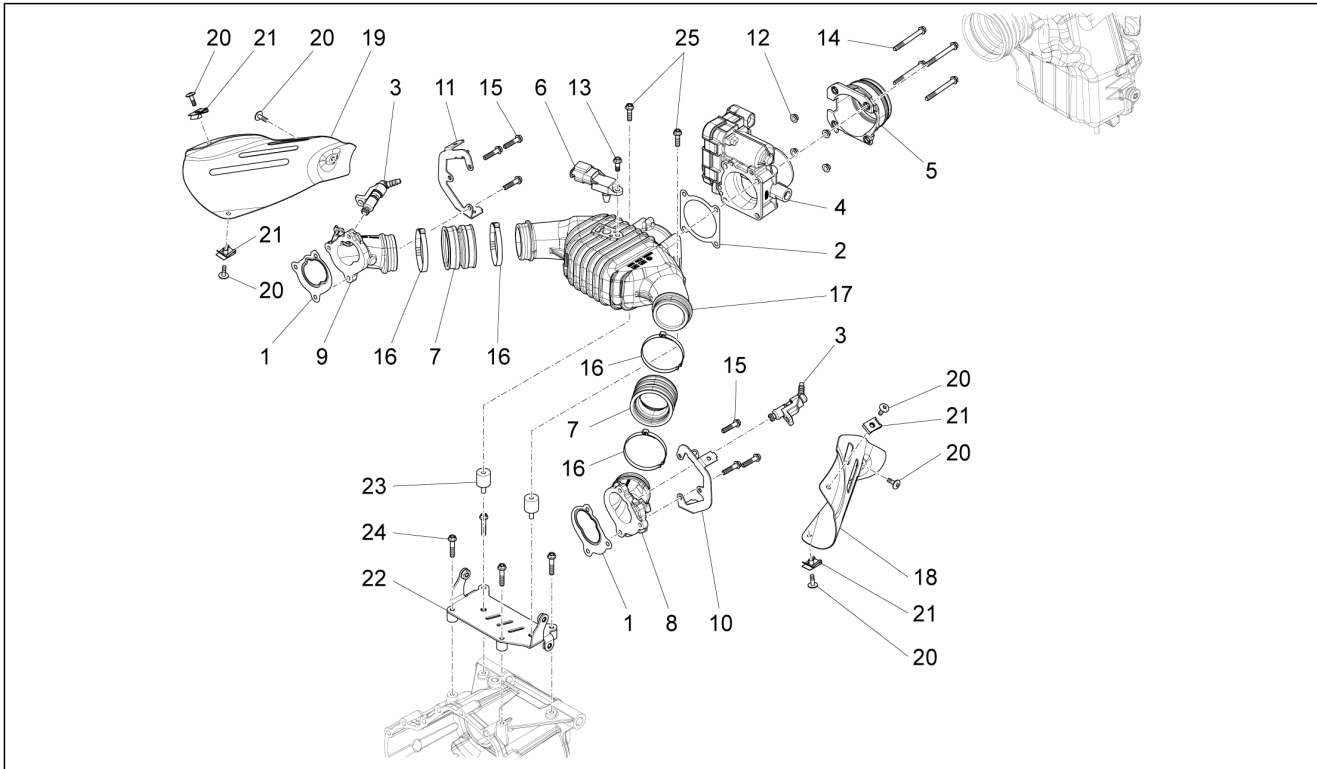
Pos.	Code	Description	Qty	Variants
1	976631	Timing system cover	1	
2	GU90412237	Gasket ring 22x35x7viton	1	
3	GU05002130	Cover	1	
4	GU98620335	screw M6x35	1	
5	GU98682316	Hex socket screw M6x16	6	
6	GU91120606	Bushing 6,8x8,8x5,8	6	
7	GU05001630	Alternator cover grey	1	
8	GU98620330	screw	9	
9	976478	Cover gasket	1	
10	GU98620455	Hex socket screw M8x55	4	

Group	Engine
Code	03.050
Description	Air box
Service	1



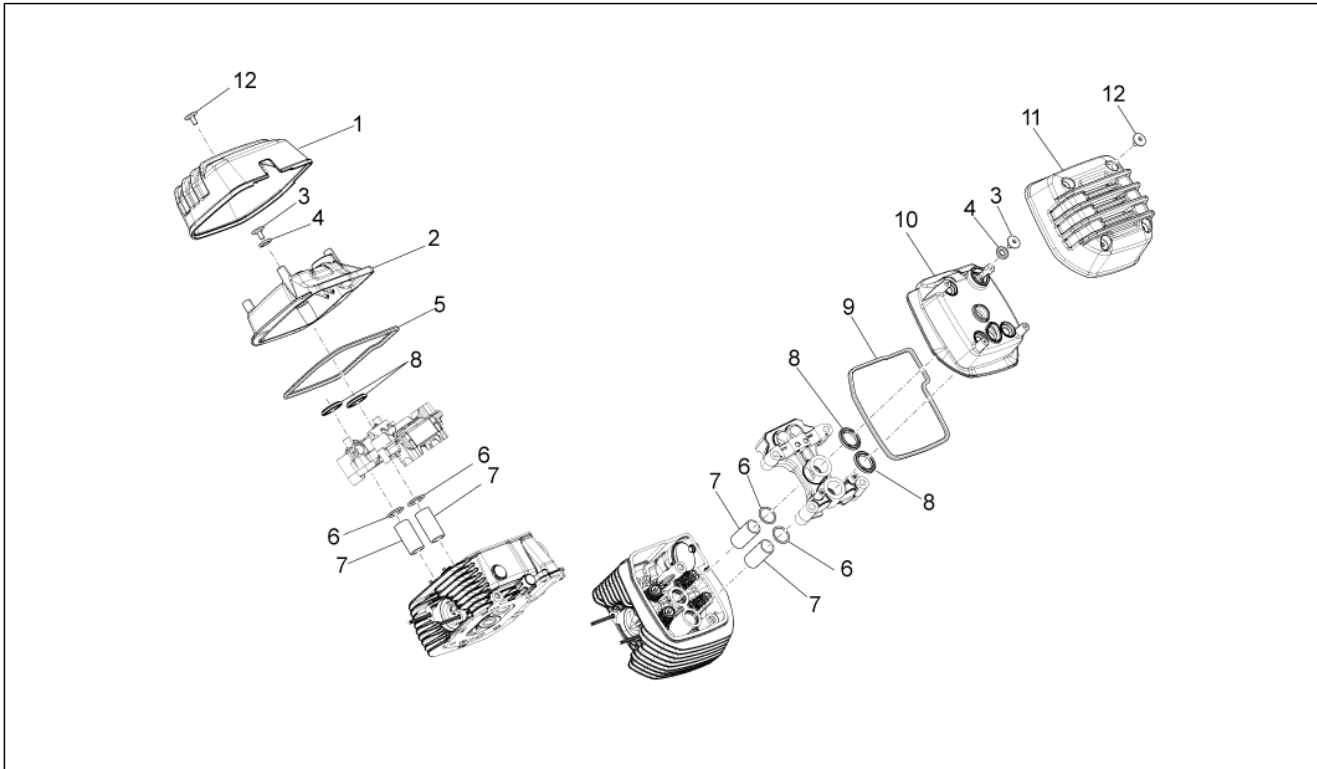
Pos.	Code	Description	Qty	Variants
1	886859	Filter box upper shell	1	
2	AP8104329	Air filter	1	
3	886867	Filter support	1	
4	AP8152329	Phillips screw, SWP M5x20	5	
5	886861	Intake hose	2	
6	622236	Spring	4	
7	886860	Filter box lower shell	1	
8	AP8120615	Gasket D3	1	
9	B063477	Blow-by filter	1	
10	567603	Washer	1	
11	AP8150450	Washer for shafts D5	1	
12	886871	Filter box sleeve	1	
13	B063957	Hose clamp D76	1	
14	GU93306070	Clamp 70x90x9	1	
15	AP8152280	Screw w/ flange M6x25	2	
16	AP8221023	T bush	4	
17	AP8120030	Rubber spacer	4	
18	254485	Spring plate M6	4	
19	AP8101595	Hose clamp D10,1	2	
20	AP8144038	Fuel pipe 6x10	1	
21	AP8120876	Plug	1	
22	AP8152279	Screw w/ flange M6x20	2	

Group	Engine
Code	03.060
Description	Throttle body
Service	1



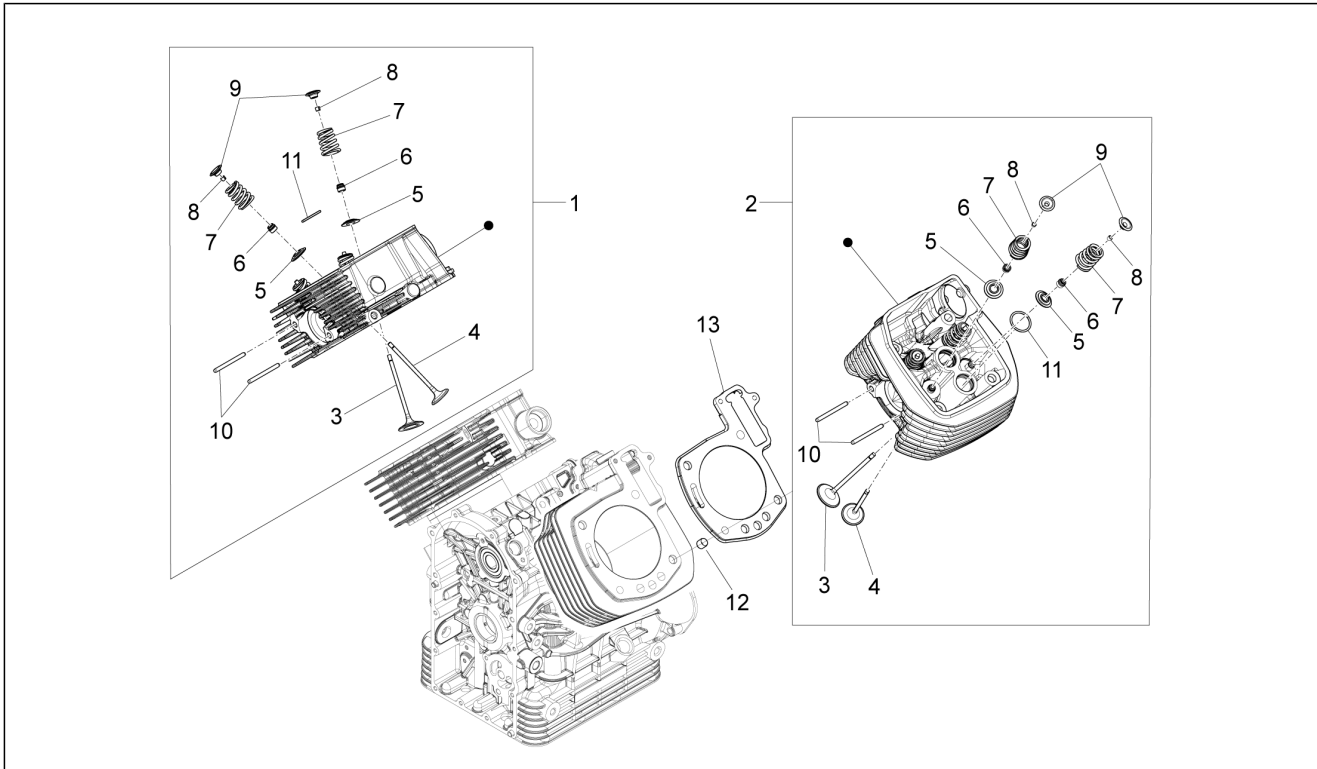
Pos.	Code	Description	Qty	Variants
1	887979	Induction joint gasket	2	
2	872264	Gasket	1	
3	B063442	Injector	2	
4	872230	Throttle body	1	
5	B063333	Throttle body trombone	1	
6	887015	Air temp. Sensor	1	
7	887808	Throttle body hose	2	
8	8871714	Union pipe SX	1	
9	8871724	Union pipe DX	1	
10	B063160	LH clamp	1	
11	B063161	RH clamp	1	
12	887282	T bushing	4	
13	AP8152278	Screw w/ flange M6x16	1	
14	B016425	Screw w/ flange M6x60	4	
15	B017633	Hex socket screw	6	
16	857306	Hose clamp	4	
17	2A000030	Compensator volume	1	
18	B063158	LH protection	1	
19	B063159	RH protection	1	
20	976614	Hex socket screw M5x15	6	
21	AP8102375	Clip M5	4	
22	886869	Support bracket	1	
23	GU93222023	Silent-block	2	
24	B017633	Hex socket screw	4	
25	AP8152278	Screw w/ flange M6x16	2	

Group	Engine
Code	03.090
Description	Head cover
Service	1



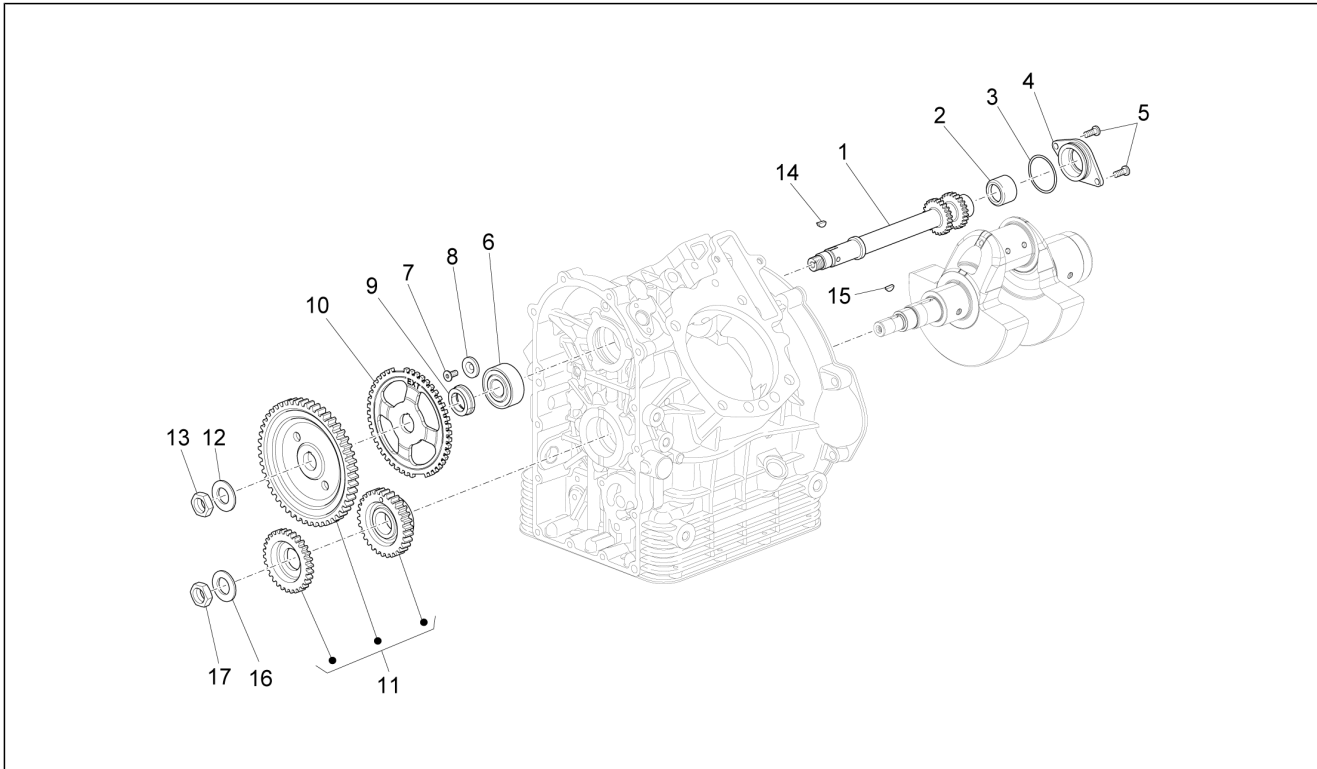
Pos.	Code	Description	Qty	Variants
1	B064262	Cover DX	8	
2	887805	RH Head cover	1	
3	976591	Special screw	8	
4	879975	Damper drift	8	
5	872742	RH gasket	1	
6	873626	O-ring 26X2,5	4	
7	879987	Spark plug pipe	4	
8	880127	Gasket	4	
9	872741	LH gasket	1	
10	887334	LH Head cover	1	
11	B064263	Cover SX	1	
12	887956	Head cover screw	1	

Group	Engine
Code	03.100
Description	Cylinder head - valves
Service	1



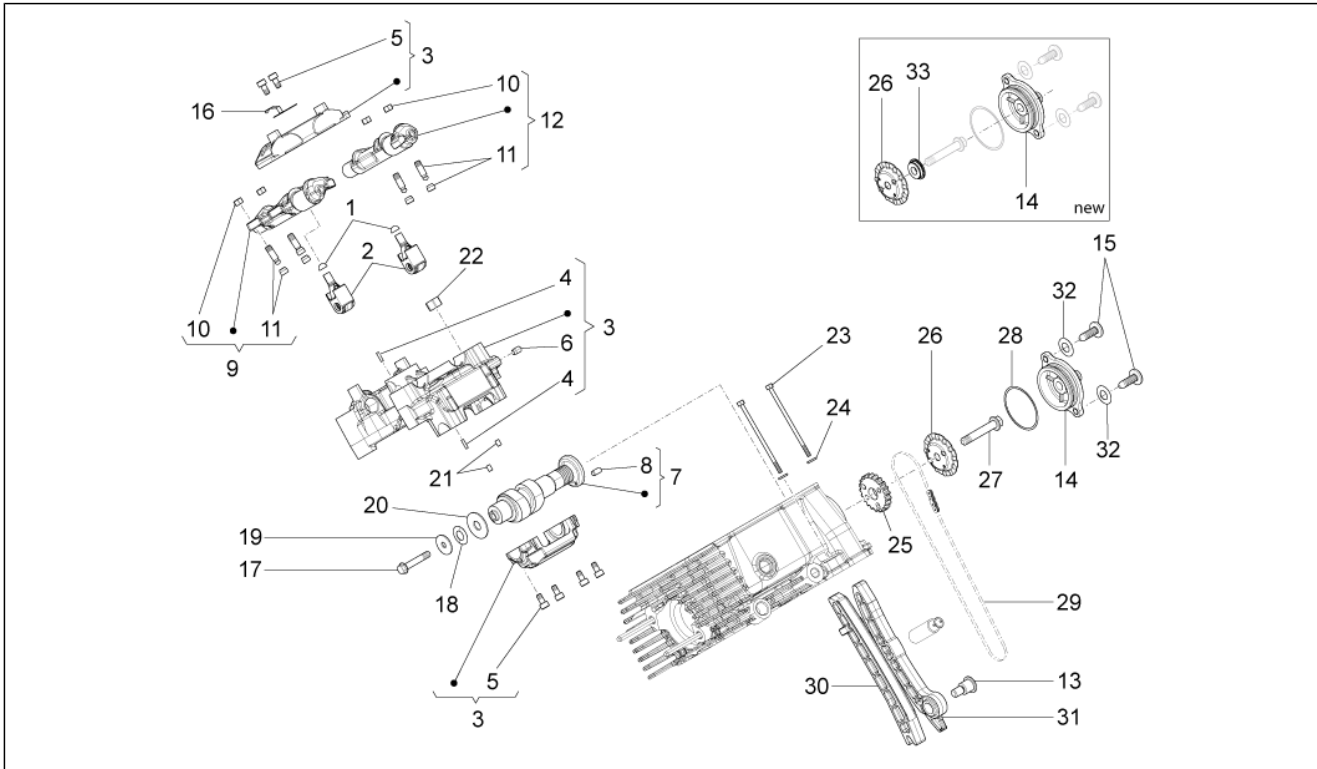
Pos.	Code	Description	Qty	Variants
1	887164	RH head assy w/h valve	1	
2	887163	LH head assy with valve	1	
3	872695	Intake valve	4	
4	872696	Exhaust valve	4	
5	874127	Lower cup	8	
6	436438	Valve gasket ring	8	
7	B013517	Valve spring	8	
8	285846	Valve half-cone	16	
9	874126	Upper cup	8	
10	B017636	Exhaust pipe stud bolt	4	
11	873626	O-ring 26X2,5	4	
12	825597	Pin 11,8X10	8	
13	887456	Cylinder head gasket sp0,6	1	
13	887454	Cylinder head gasket sp.0,8	1	
13	887455	Cylinder head gasket sp.1	1	

Group	Engine
Code	03.120
Description	Timing system
Service	1



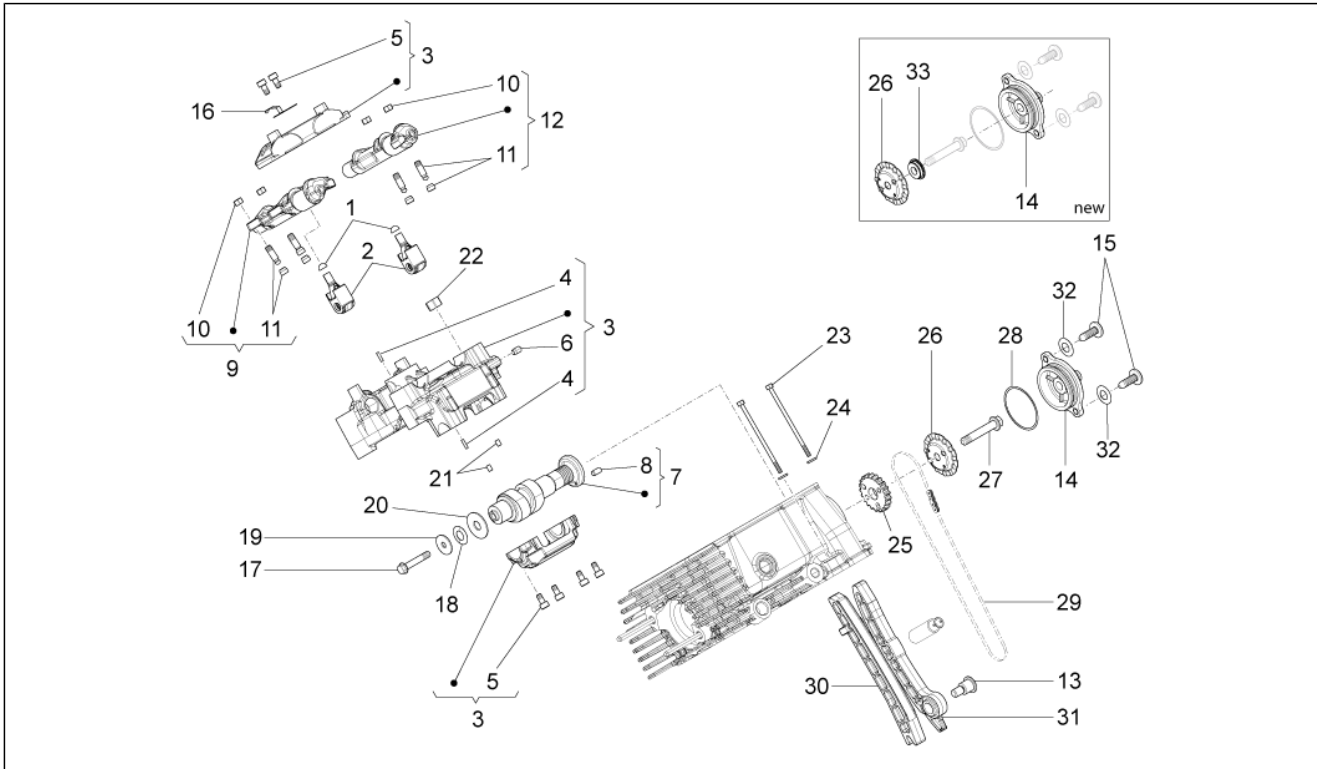
Pos.	Code	Description	Qty	Variants
1	976330	Timing system	1	
2	976381	Roller cage 25x32x12	1	
3	976488	O-ring 37,82x1,78	1	
4	976331	Flange	1	
5	GU98350315	Hex socket screw M6x14	2	
6	976355	Ball bearing 20x47x18	1	
7	AP8152166	screw M6x16	1	
8	873928	Washer	1	
9	887524	Spacer	1	
10	887030	Phonic wheel	1	
11	85269R	Gear kit	1	
12	GU14433400	Spring washer 19x34x1,5	1	
13	829232	Nut M18x1,5	1	
14	887044	Tab 4x5	1	
15	GU91600365	Transmission key 3x6,5	1	
16	976665	Belleville spring	1	
17	976649	Nut M25x1,5	1	

Group	Engine
Code	03.135
Description	RH cylinder timing system I
Service	1



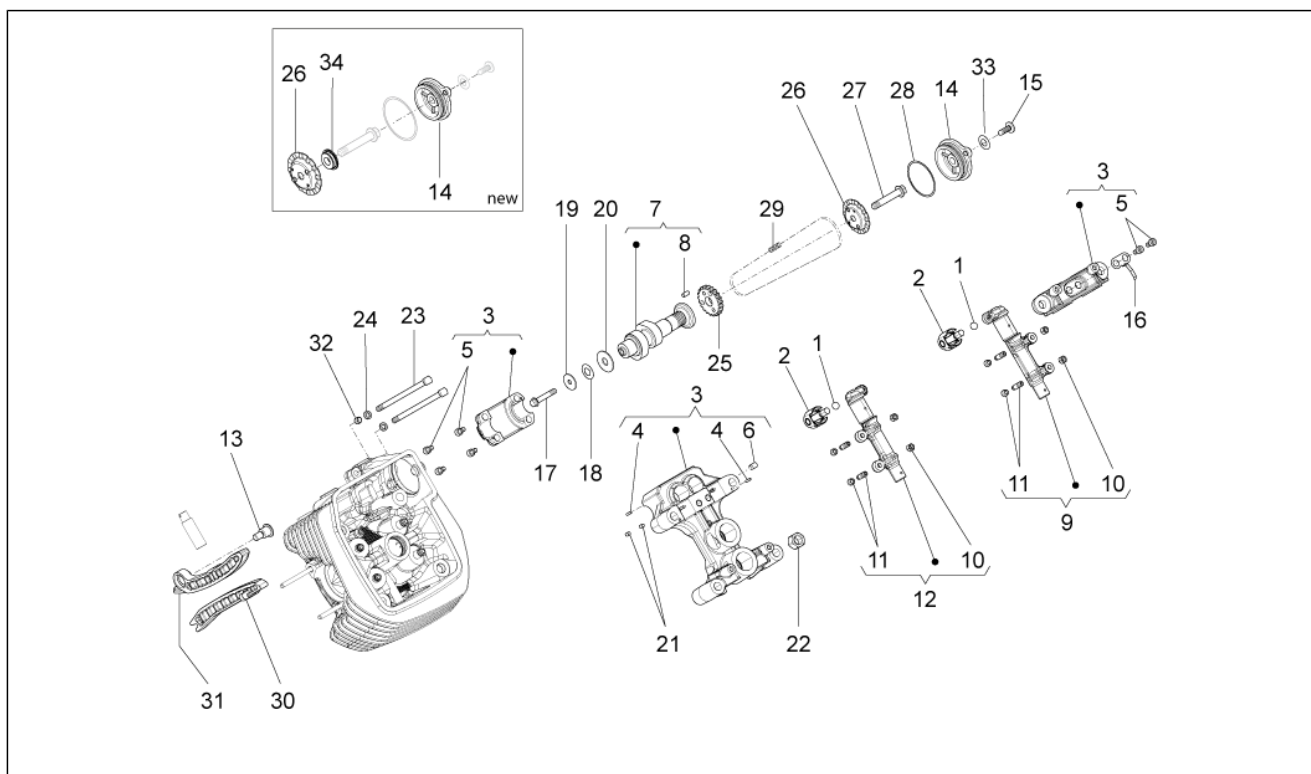
Pos.	Code	Description	Qty	Variants
1	878574	Pad	2	
2	B016785	Tappet	2	
3	887161	Rockers axle support DX	1	
4	872759	Pin D. 2,5	4	
5	015792	screw M8x30	6	
6	842360	Plug M6x10	1	
7	B014576	Cam axle	1	
8	976589	Pin	1	
9	B0136034	Right exhaust left intake rocker	1	
10	879916	Rocker arm adjuster nut	4	
11	879707	Adjuster screw	4	
12	B0136054	Left exhaust right intake rocker	1	
13	878868	Spacer screw M8	1	
14	2A000082	Oil bleed cover	1	
14	B013479	Breather cover cpl.	1	
15	875173	Torx convex big end screw	2	
16	B013661	Plate	1	
17	414837	Screw w/ flange M6x25	1	
18	879938	Belleville spring	1	
19	879936	Shim washer	1	
20	879937	Shim washer	1	
21	B013552	Roller	2	
22	825694	Nut M10x1,25	8	
23	487444	Screw w/ flange M6x120	2	
24	976674	Plain washer 12x6,1x2	2	
25	976350	Timing gear	1	
26	874601	sheet oil breather	1	
26	2A000080	Centrifugal separator	1	

Group	Engine
Code	03.135
Description	RH cylinder timing system I
Service	1



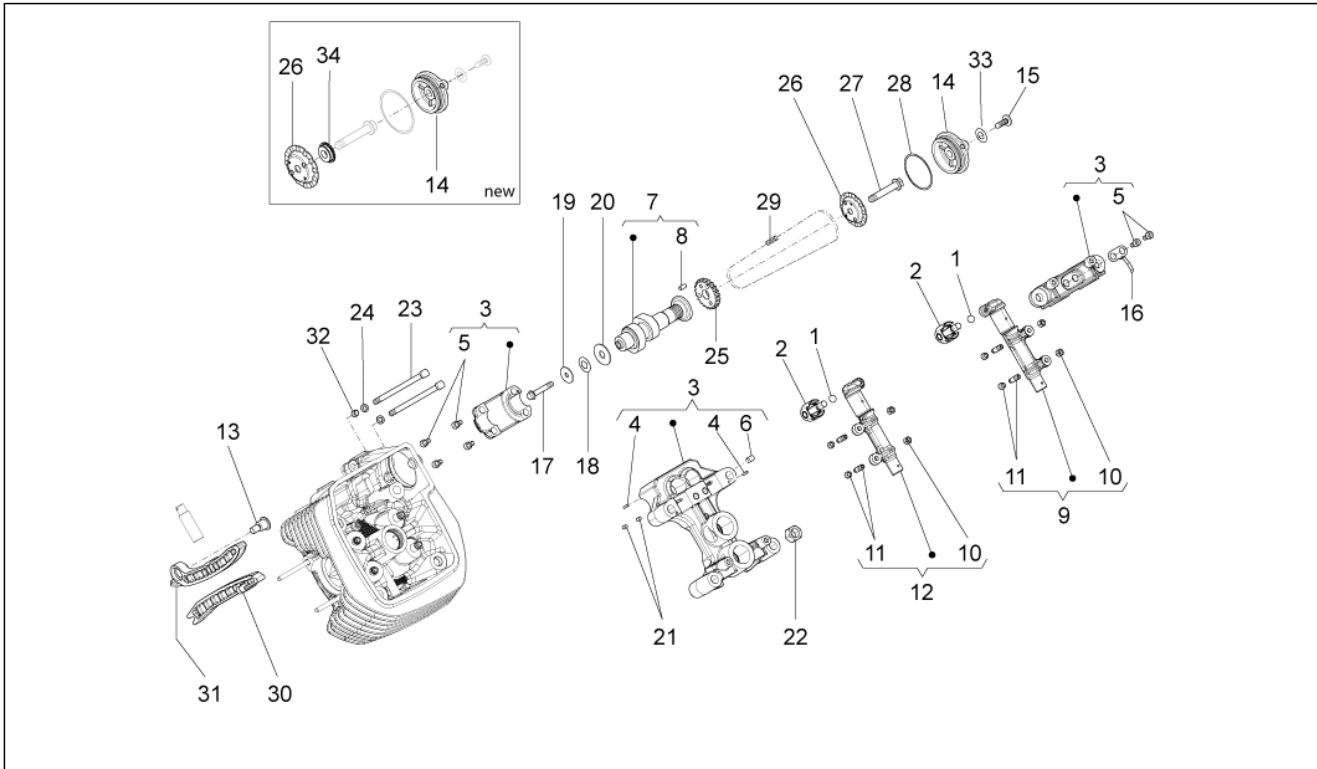
Pos.	Code	Description	Qty	Variants
27	843060	Screw w/ flange	1	
28	880965	Gasket ring 2,62x46,52	0	
29	976341	Camshaft chain	1	
30	976338	Chain guide plate	1	
31	976337	Chain tensioner sliding block	1	
32	GU95129100	Spring washer 5,3X10X0,5	2	
33	2A000081	Spacer	1	

Group	Engine
Code	03.145
Description	LH cylinder timing system I
Service	1



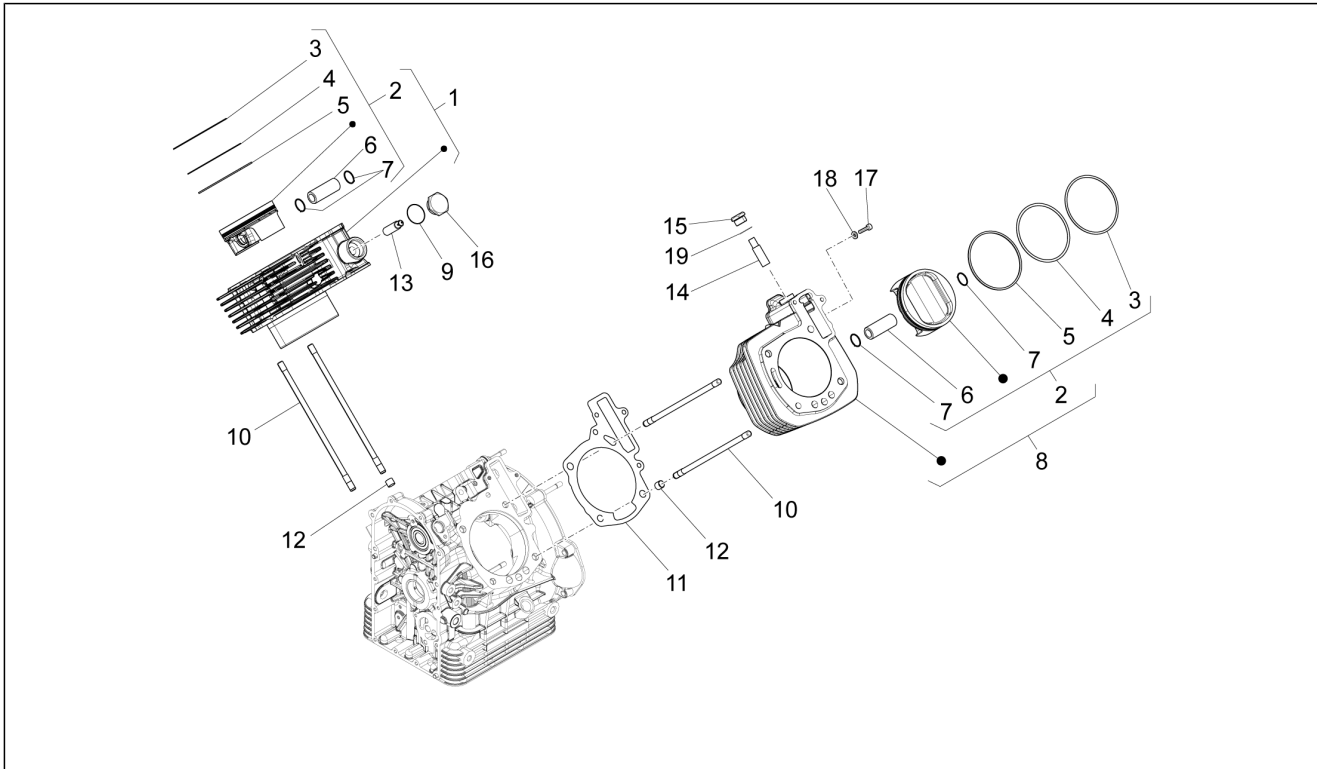
Pos.	Code	Description	Qty	Variants
1	878574	Pad	2	
2	B016785	Tappet	2	
3	887162	Rockers axle support SX	1	
4	872759	Pin D. 2,5	4	
5	015792	screw M8x30	6	
6	842360	Plug M6x10	1	
7	B014576	Cam axle	1	
8	976589	Pin	1	
9	B0136034	Right exhaust left intake rocker	1	
10	879916	Rocker arm adjuster nut	4	
11	879707	Adjuster screw	4	
12	B0136054	Left exhaust right intake rocker	1	
13	878868	Spacer screw M8	1	
14	B013479	Breather cover cpl.	1	
14	2A000082	Oil bleed cover	1	
15	875173	Torx convex big end screw	2	
16	B013661	Plate	1	
17	414837	Screw w/ flange M6x25	1	
18	879938	Belleville spring	1	
19	879936	Shim washer	1	
20	879937	Shim washer	1	
21	B013552	Roller	2	
22	825694	Nut M10x1,25	4	
23	487444	Screw w/ flange M6x120	2	
24	976674	Plain washer 12x6,1x2	2	
25	976350	Timing gear	1	
26	2A000080	Centrifugal separator	1	
26	874601	sheet oil breather	1	

Group	Engine
Code	03.145
Description	LH cylinder timing system I
Service	1



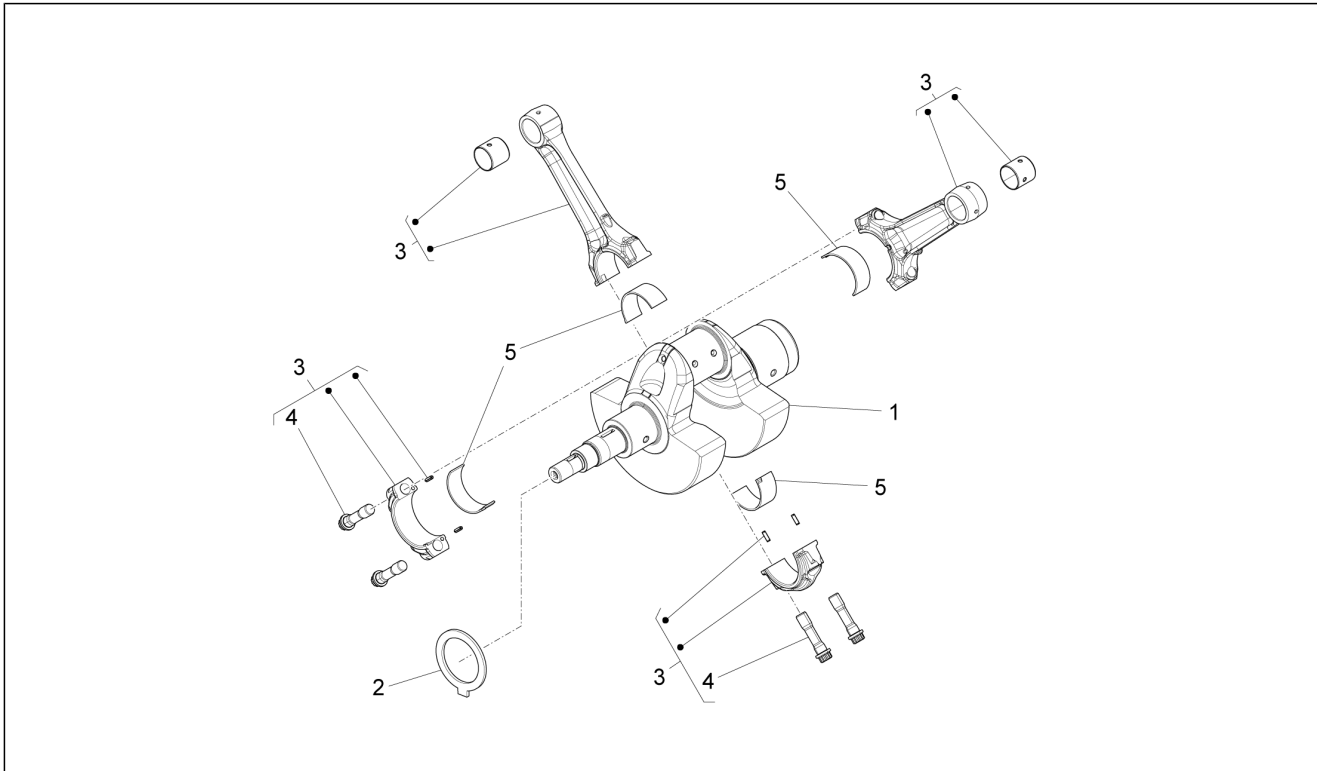
Pos.	Code	Description	Qty	Variants
27	843060	Screw w/ flange	1	
28	880965	Gasket ring 2,62x46,52	1	
29	976341	Camshaft chain	1	
30	976338	Chain guide plate	1	
31	976337	Chain tensioner sliding block	1	
32	244585	Spacer	1	
33	GU95129100	Spring washer 5,3X10X0,5	2	
34	2A000081	Spacer	1	

Group	Engine
Code	03.150
Description	Cylinder - Piston
Service	1



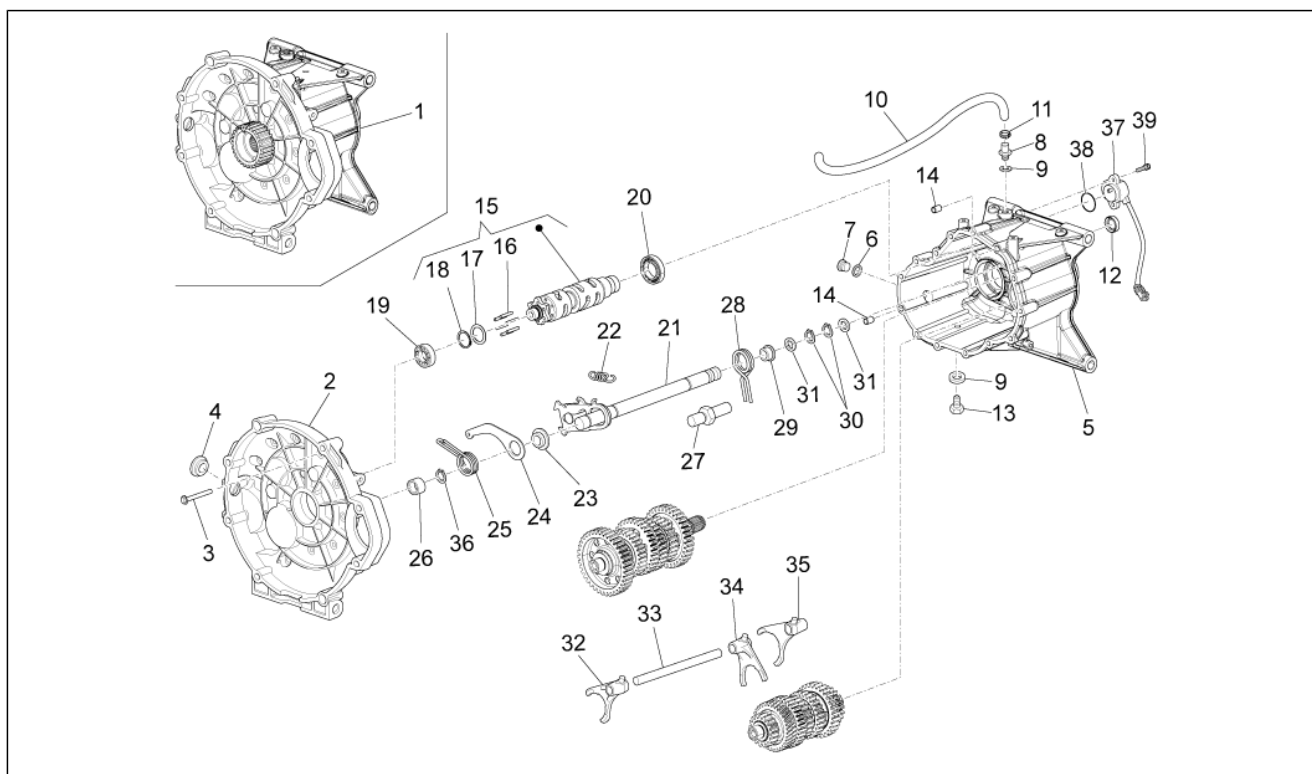
Pos.	Code	Description	Qty	Variants
1	B064047	Cylinder with piston assy., RH	1	
2	8868810002	Complete piston E	2	
2	8868810001	Piston assy "D"	2	
2	8868810003	Complete piston F	2	
3	886883	Piston ring	2	
4	886884	Piston ring	2	
5	886885	Piston ring	2	
6	886886	Gudgeon bucket	2	
7	874567	Stop ring	4	
8	B064046	Cylinder with piston assy., LH	1	
9	B015126	O-ring 26.64x2.62	1	
10	976899	Stud bolt M10x251	8	
11	976312	Cylinder base gasket	2	
12	825597	Pin 11,8X10	4	
13	873689	RH chain tensioner	1	
14	873690	LH chain tensioner	1	
15	976342	Chain tension.plug	1	
16	B015125	Chain tension.plug	1	
17	GU98350310	Hex socket screw M6x20	1	
18	GU95100116	Washer 6,25x10x1,5	1	
19	849866	Washer	1	

Group	Engine
Code	03.160
Description	Drive shaft
Service	1



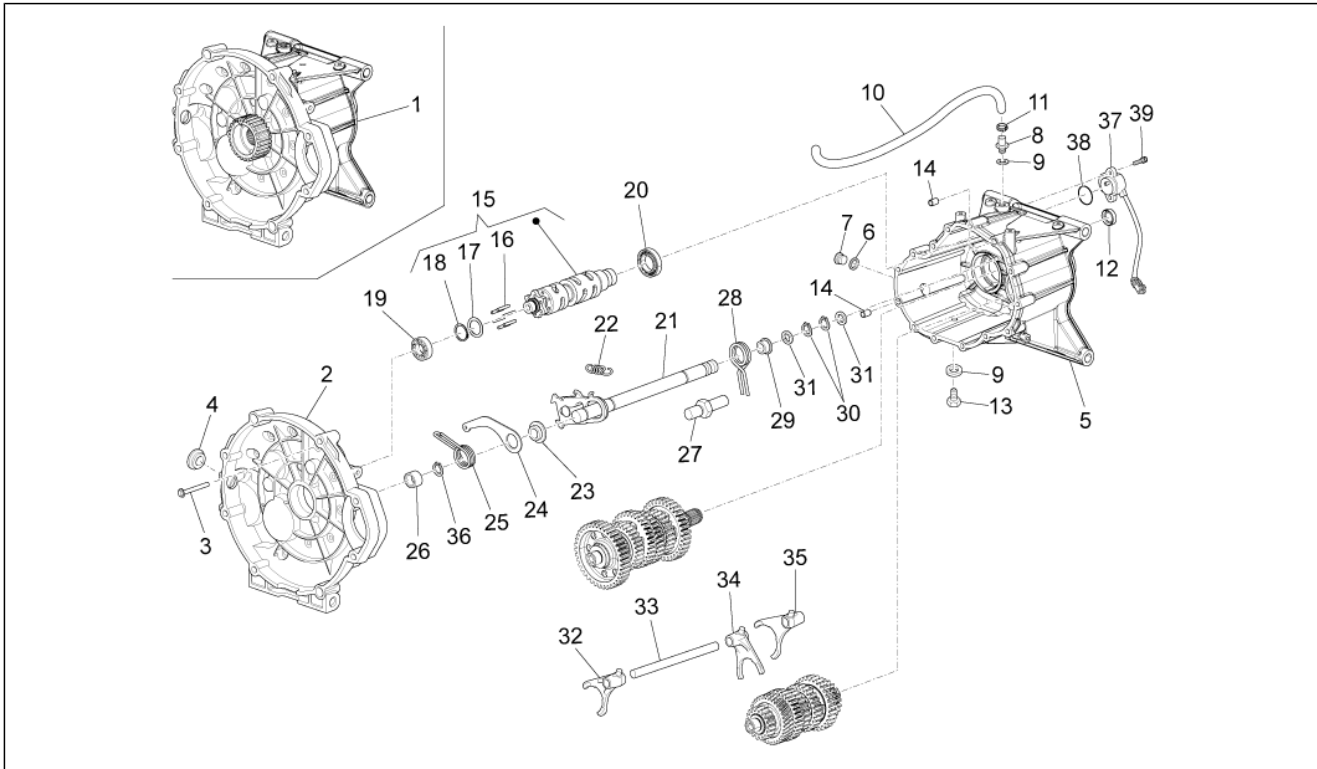
Pos.	Code	Description	Qty	Variants
1	886855001	Crankshaft cpl.	1	Technical Specification: Colour selection Brown[C1]
1	886855003	Crankshaft cpl.	1	Technical Specification: Colour selection Black[C3]
1	886855002	Crankshaft cpl.	1	Technical Specification: Colour selection Green[C2]
2	874293	Thrust washer	1	
3	2A0000920A	Connecting rod cpl. 0.588-0.598	2	Technical Specification: Colour selection Brown[C1] Sansera[S]
3	8783390001	Connecting rod cpl.	2	Technical Specification: Colour selection Brown[C1] Mape[M]
3	8783390002	Connecting rod cpl.	2	Technical Specification: Colour selection Green[C2] Mape[M]
3	2A0000920C	Connecting rod cpl. 0.608-0.618	2	Technical Specification: Colour selection Black[C3] Sansera[S]
3	2A0000920B	Connecting rod cpl. 0.598-0.608	2	Technical Specification: Colour selection Green[C2] Sansera[S]
3	8783390003	Connecting rod cpl.	2	Technical Specification: Colour selection Black[C3] Mape[M]
4	849131	Connecting rod screw	4	
5	875243	Bushing half-shell, red 44,014 - 44,020	2	Technical Specification: Red sign[RS]
5	875244	Bushing half-shell, blue 44,008 - 44,014	2	Technical Specification: Blue sign[BS]

Group	Engine
Code	03.170
Description	Gear box / Selector / Shift cam
Service	1



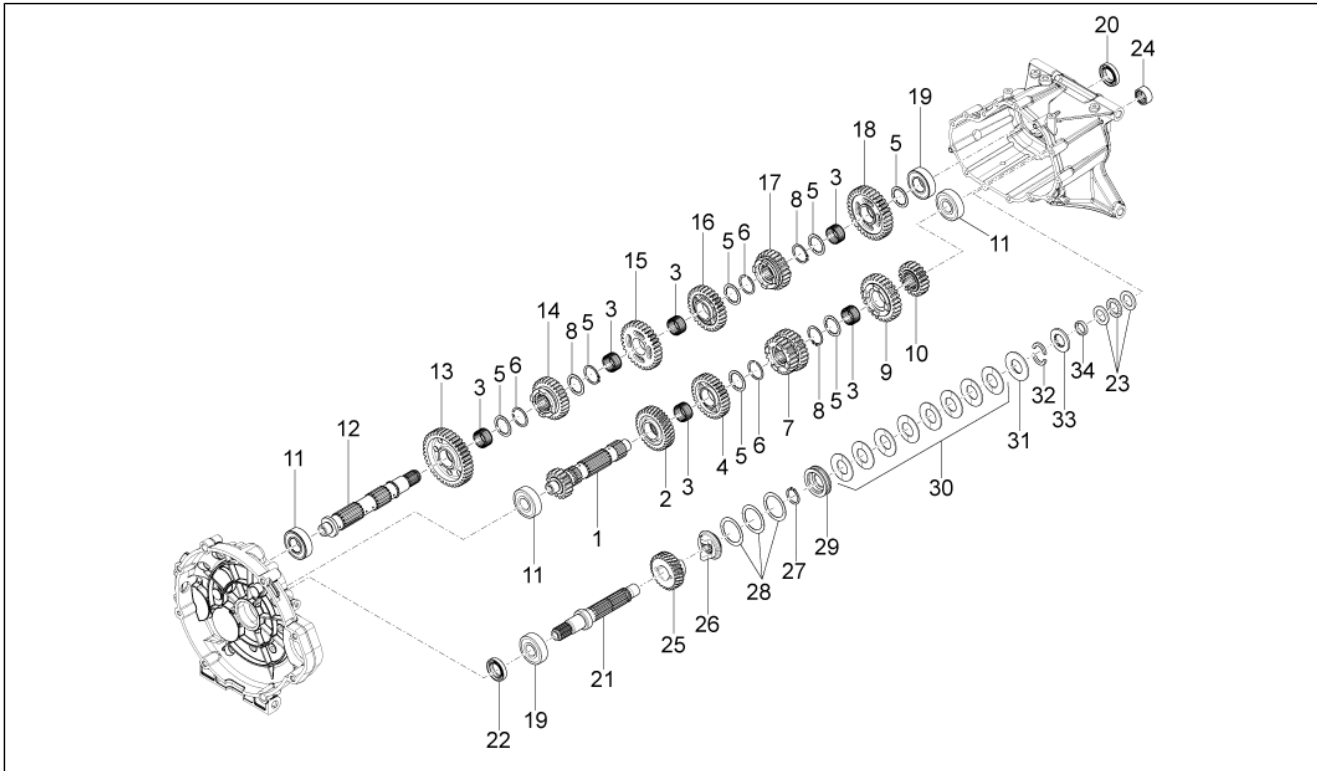
Pos.	Code	Description	Qty	Variants
1	9769975	Transmission, assy	1	
2	B0630754	Clutch housing, grey	1	
3	GU97202355	Screw w/ flange M6x55	14	
4	GU93180220	Cover	1	
5	8868655	Transmission cage	1	
6	GU18144350	Washer 18,25x24x1	1	
7	GU95980319	Oil plug M18x1,5	1	
8	GU05204930	Breather plug	1	
9	GU01528930	Gasket 10x18x1,5	2	
10	AP8120952	Fuel pipe 5,5x10	1	
11	AP8101595	Hose clamp D10,1	1	
12	GU90401424	Gasket ring 14x24x7	1	
13	GU31003766	Oil unload plug M10x1	1	
14	GU19002020	Bushing 6,6x9x13	2	
15	886875	Shift cam cpl.	1	
16	GU05234631	Pin	6	
17	GU05235531	Spacer	1	
18	GU90271022	Circlip	1	
19	GU92201117	Ball bearing 17x35x10	1	
20	GU92201025	Ball bearing 25x42x9	1	
21	GU05236231	Preselection complete	1	
22	GU05238231	Spring	1	
23	GU05238431	Bushing	1	
24	B064112	Index assy. lever	1	
25	B064113	Index spring	1	
26	GU05234230	Spacer	1	
27	B063905	Fixing pin	1	
28	B063956	Spring	1	

Group	Engine
Code	03.170
Description	Gear box / Selector / Shift cam
Service	1



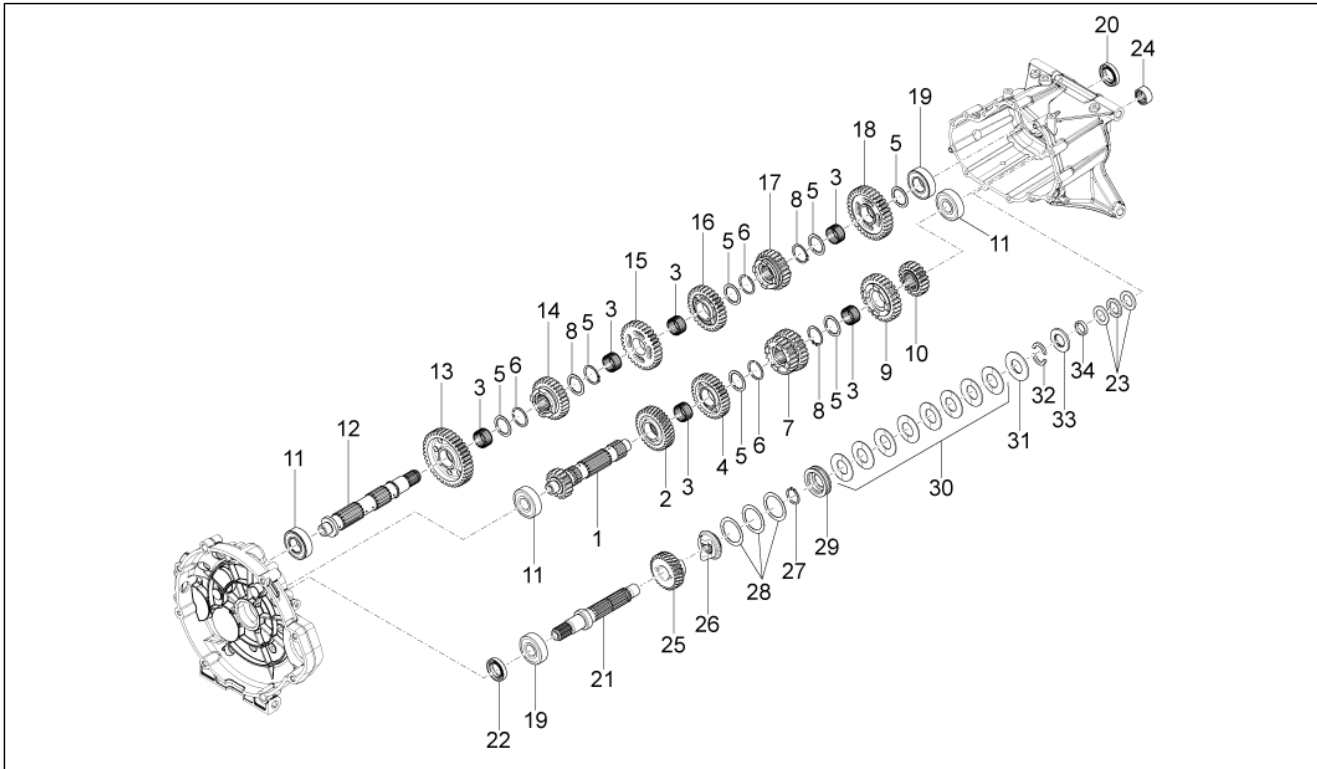
Pos.	Code	Description	Qty	Variants
29	GU05238131	Spacer	1	
30	GU90271014	Circlip	2	
31	GU05239330	Fifth wheel	2	
32	GU05230531	Fork 1a-3a	1	
33	GU05232431	Fork shaft	1	
34	GU05232631	Fork 5a-6a	1	
35	GU05230831	Fork 2a-4a	1	
36	GU90353014	Circlip	1	
37	857265	Gear position sensor	1	
38	857494	O-ring	1	
39	AP8152273	Screw w/ flange M5x15	2	

Group	Engine
Code	03.180
Description	Gear box - Gear assembly
Service	1



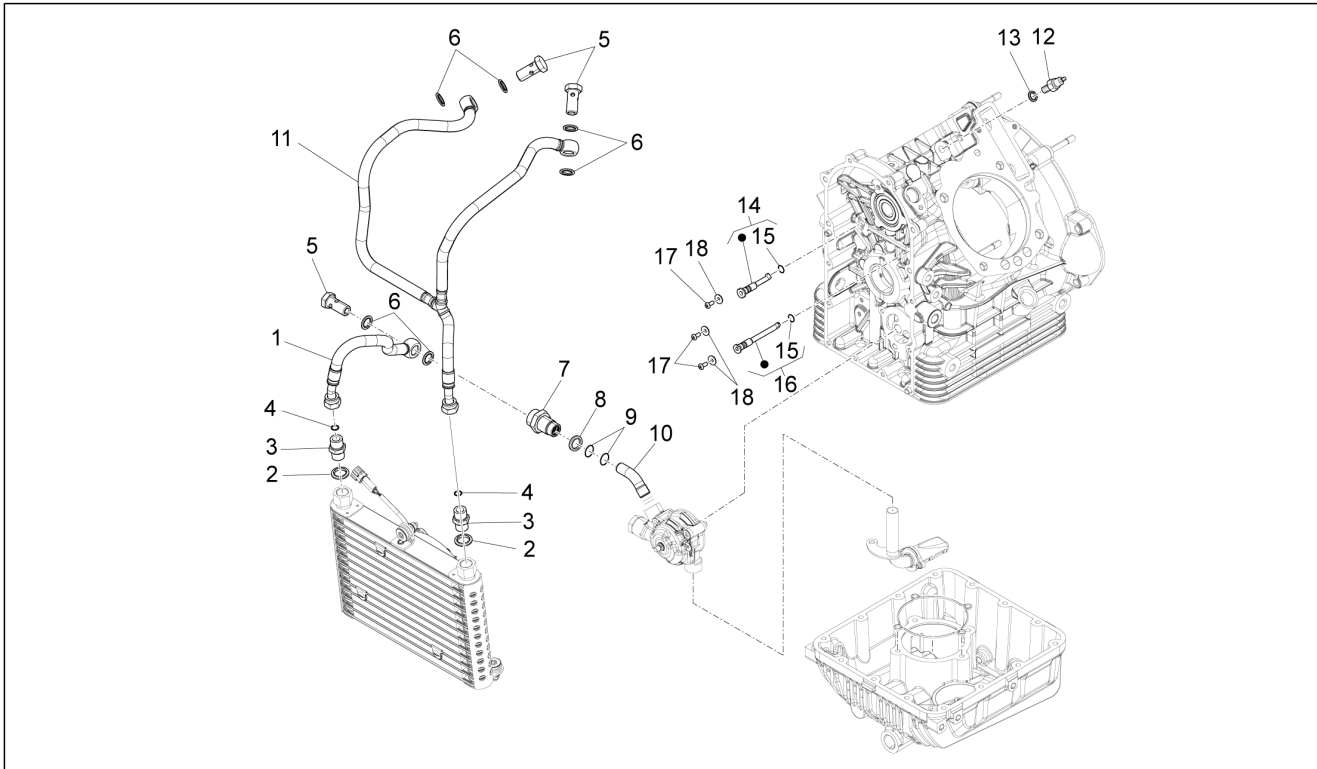
Pos.	Code	Description	Qty	Variants
1	GU05210631	Primary gear shaft Z=17	1	
2	GU05215631	Drive gears Z=35	1	
3	GU92252029	Roller cage 26x30x15,6	6	
4	GU05212031	Gear 5a Z=31	1	
5	GU05214630	Clearance washer	2	
6	GU90271230	Snap ring 30x1,25W	3	
7	GU05211431	Gear 3a-4a Z=23-26	1	
8	GU90271030	Snap ring 30x27,9	1	
9	976179	Gear 6a Z=30	1	
10	GU05211331	Gear 2a Z=20	1	
11	GU92201822	Ball bearing 20x52x15	3	
12	GU05213631	Driven shaft	1	
13	GU05214231	Gear 1a Z=38	1	
14	GU05214031	Gear 5a Z=30	1	
15	GU05214731	Gear 3a Z=31	1	
16	GU05215031	Gear 4a Z=29	1	
17	976180	Gear 6a Z=24	1	
18	GU05214431	Gear 2a Z=34	1	
19	GU92201226	Ball bearing 25x52x15	2	
20	GU90412541	Gasket ring 25X40X7	1	
21	B063832	Clutch shaft	1	
22	976533	Gasket ring 25x47x7	1	
23	976532	Thrust bearing	1	
24	GU92232028	Roller bearing 20x28x13	1	
25	GU05211131	Idle gear Z=26	1	
26	GU05211231	Hose	1	
27	GU90271125	Snap ring 25x2	1	
28	GU95129340	Washer	3	

Group	Engine
Code	03.180
Description	Gear box - Gear assembly
Service	1



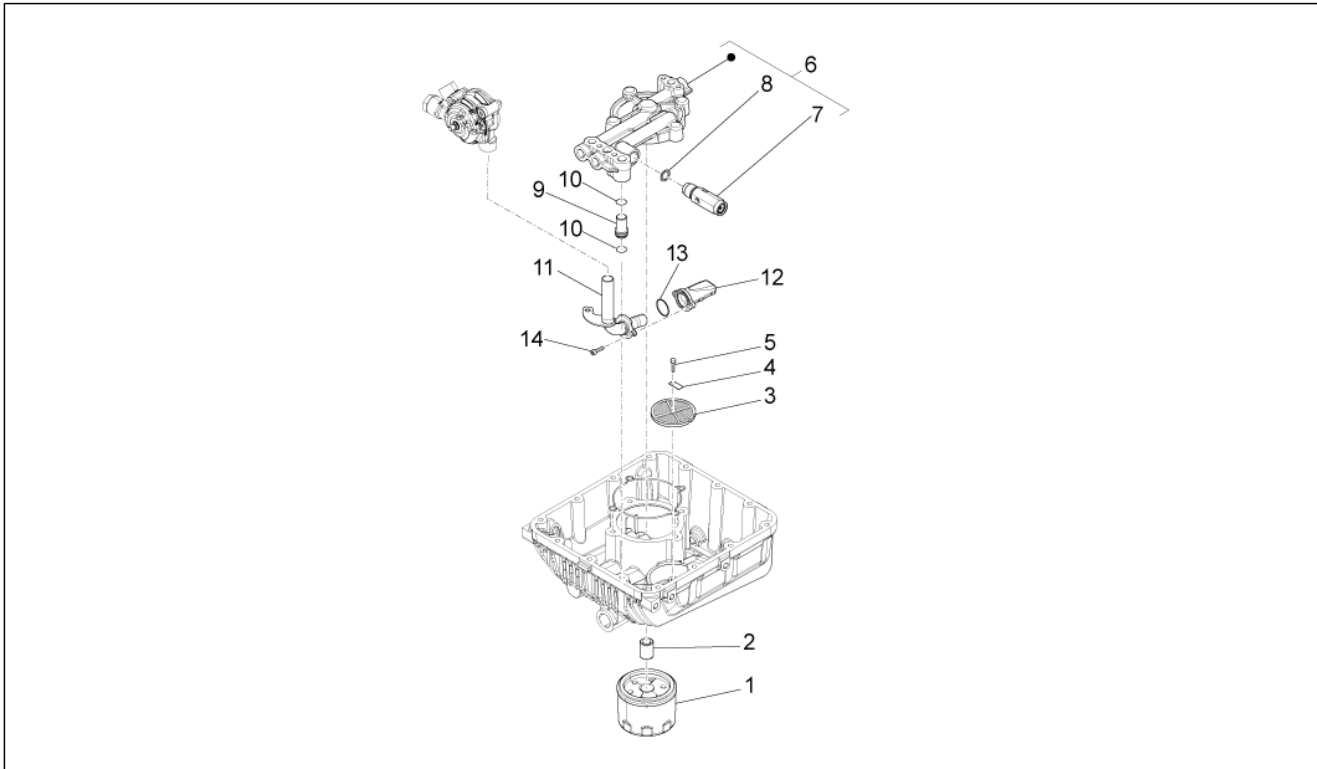
Pos.	Code	Description	Qty	Variants
29	GU05211030	Disc	1	
30	GU05211530	Belleville spring	8	
31	B063978	Clutch collar	1	
32	B063977	Half ring	1	
33	B063836	Fifth wheel	1	
34	B063979	Bushing	1	

Group	Engine
Code	03.190
Description	Lubrication
Service	1



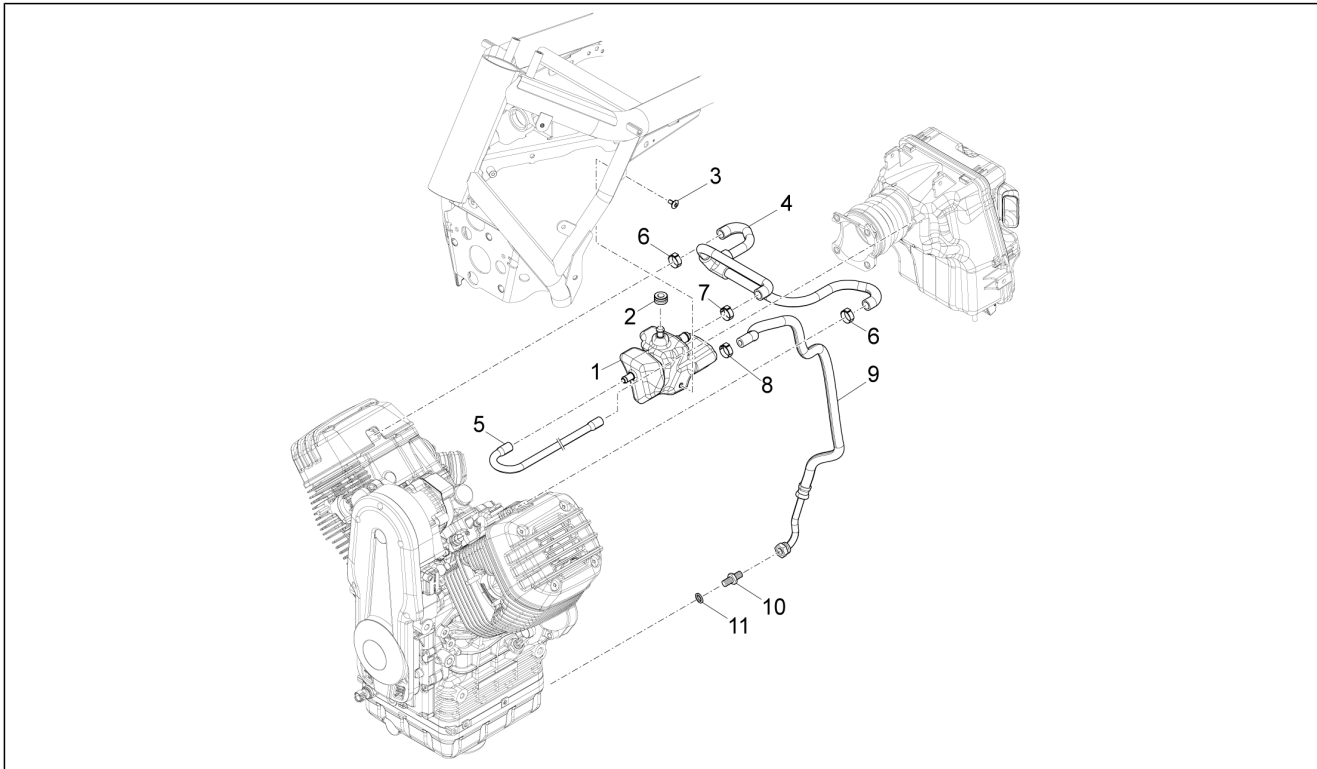
Pos.	Code	Description	Qty	Variants
1	887951	Pipe	1	
2	GU01154230	Gasket	2	
3	GU01161331	Reduction	2	
4	899064	O-ring	4	
5	874223	Bored screw	3	
6	976597	Copper gasket	6	
7	874669	Nipple	1	
8	976592	Gasket	1	
9	434947	O-ring 12,42x1	2	
10	874646	Oil pipe	1	
11	887950	Pipe	1	
12	641541	Oil pressure sensor	1	
13	AP9150472	Washer 10,5x17x1,5	1	
14	976681	RH Nozzle	1	
15	874238	O-ring	4	
16	976680	LH Nozzle	1	
17	621914	screw	5	
18	013763	Flat washer 4,2x12x1	3	

Group	Engine
Code	03.195
Description	Oil filters
Service	1



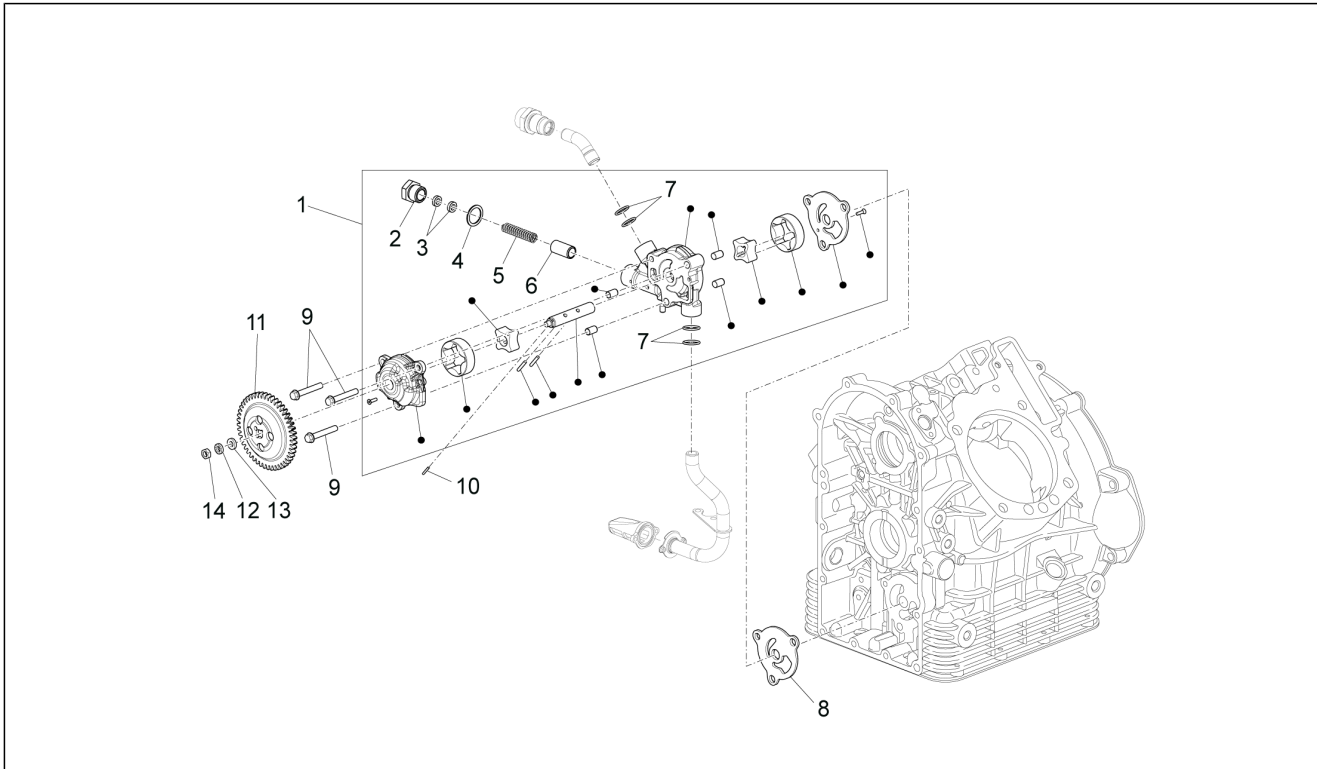
Pos.	Code	Description	Qty	Variants
1	B063428	Oil filter	1	
2	829122	Oil filter union	1	
3	GU19152200	Oil filter	1	
4	GU95187006	Plate	1	
5	GU98084314	Hex screw M6x14	1	
6	B063274	Complete flange	1	
7	876486	Oil pressure adjusting valve	1	
8	224566	Washer	1	
9	B063934	Oil pipe	1	
10	B063942	O-ring 14x3	2	
11	B064018	Suction pipe	1	
12	874655	Intake oil filter	1	
13	969323	O-ring	1	
14	621914	screw	2	

Group	Engine
Code	03.196
Description	Blow-by system
Service	1



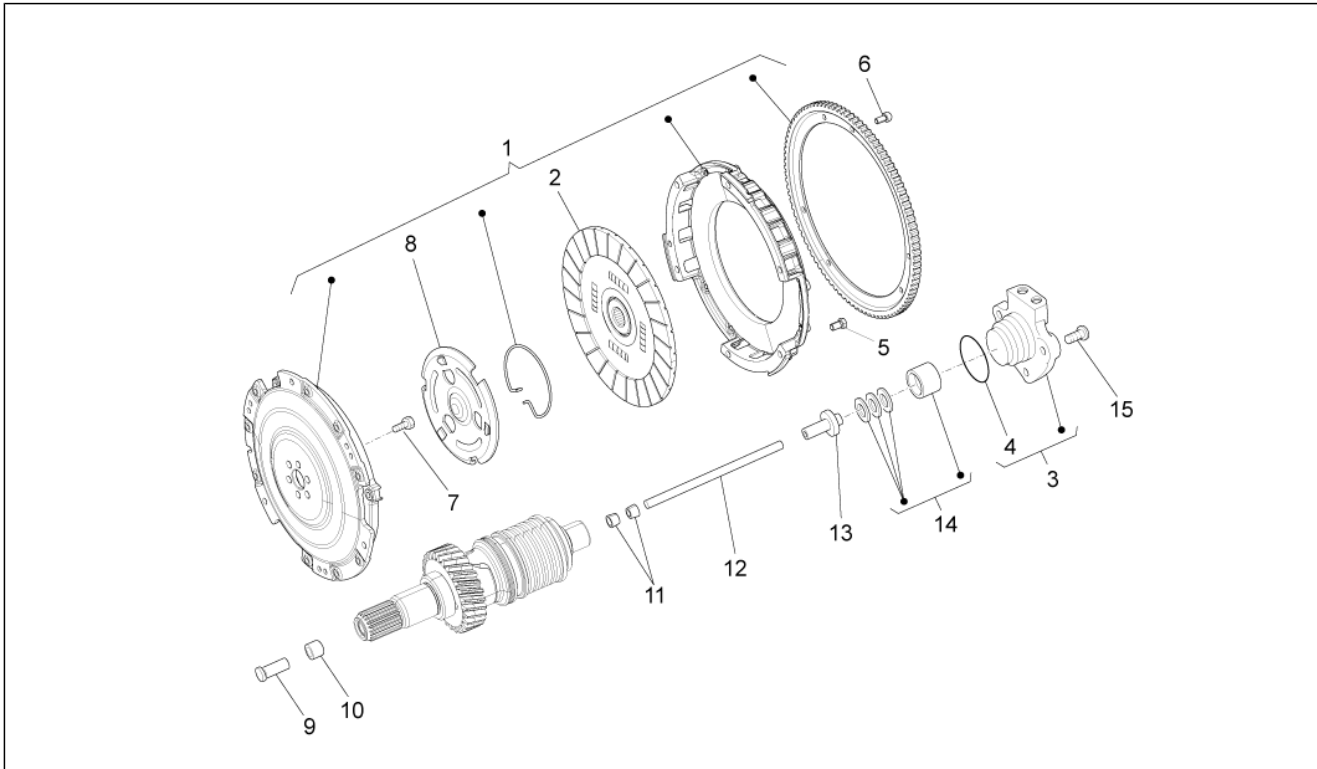
Pos.	Code	Description	Qty	Variants
1	887786	Blow-By tank	1	
2	AP8120030	Rubber spacer	1	
3	AP8150500	Hex socket screw M5x9	1	
4	B063620	3-way pipe	1	
5	B063778	Blow-by breather pipe	1	
6	CM001904	Hose clamp	2	
7	AP8102349	White hose clip D17,5x8	1	
8	AP8102765	White hose clip D.13,5x6	1	
9	B063179	Sump return pipe	1	
10	GU01161331	Reduction	1	
11	GU01154230	Gasket	1	

Group	Engine
Code	03.200
Description	Oil pump
Service	1



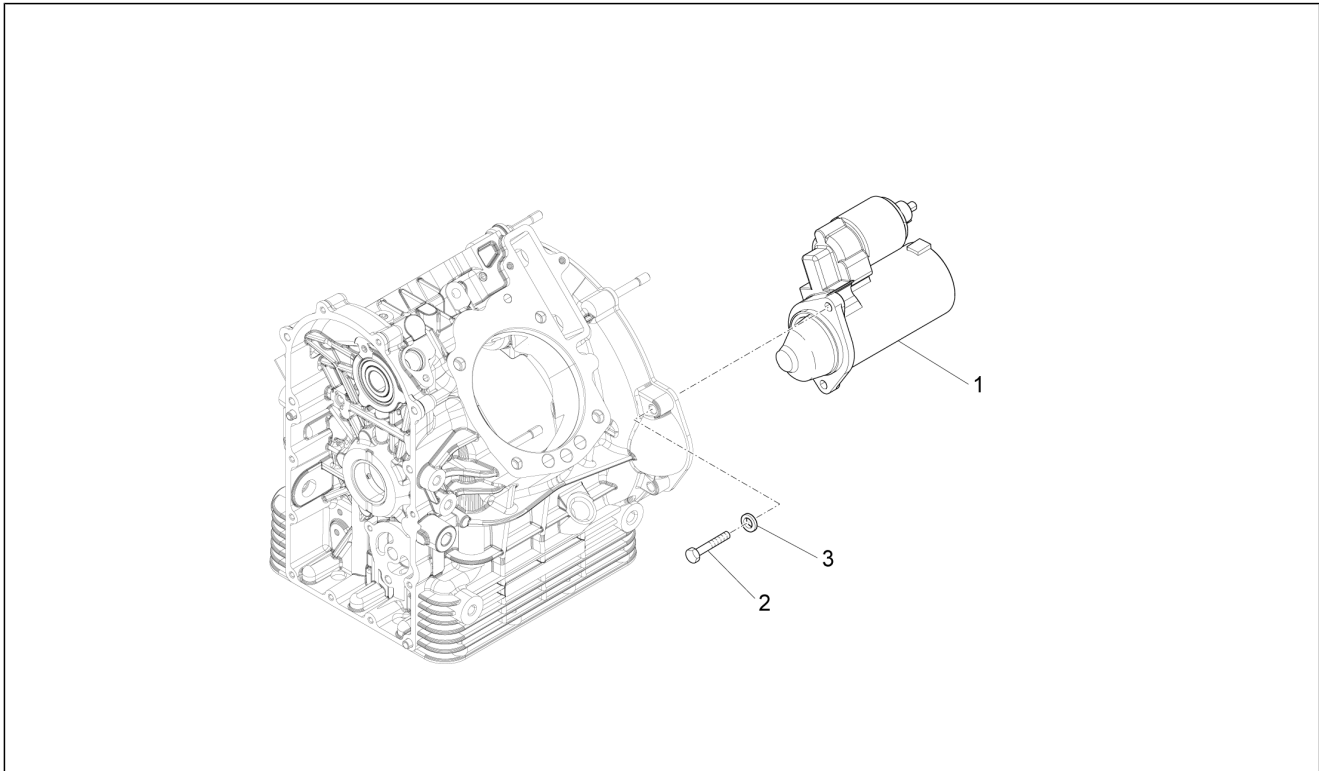
Pos.	Code	Description	Qty	Variants
1	8746505	Oil pump assy.	1	
2	GU31159050	Cover	1	
3	GU30158900	Washer	2	
4	GU18144350	Washer 18,25x24x1	1	
5	829486	Spring	1	
6	829661	Oil pressure valve	1	
7	237553	O-ring	4	
8	874482	Gasket	1	
9	414835	screw	3	
10	874801	Pin 2x13,8	1	
11	877101	Oil pump gear	1	
12	GU03013800	Washer 6,4x12	1	
13	GU95005306	Washer 6,4x13x1,5	1	
14	873906	Low nut	1	

Group	Engine
Code	03.230
Description	Clutch
Service	1



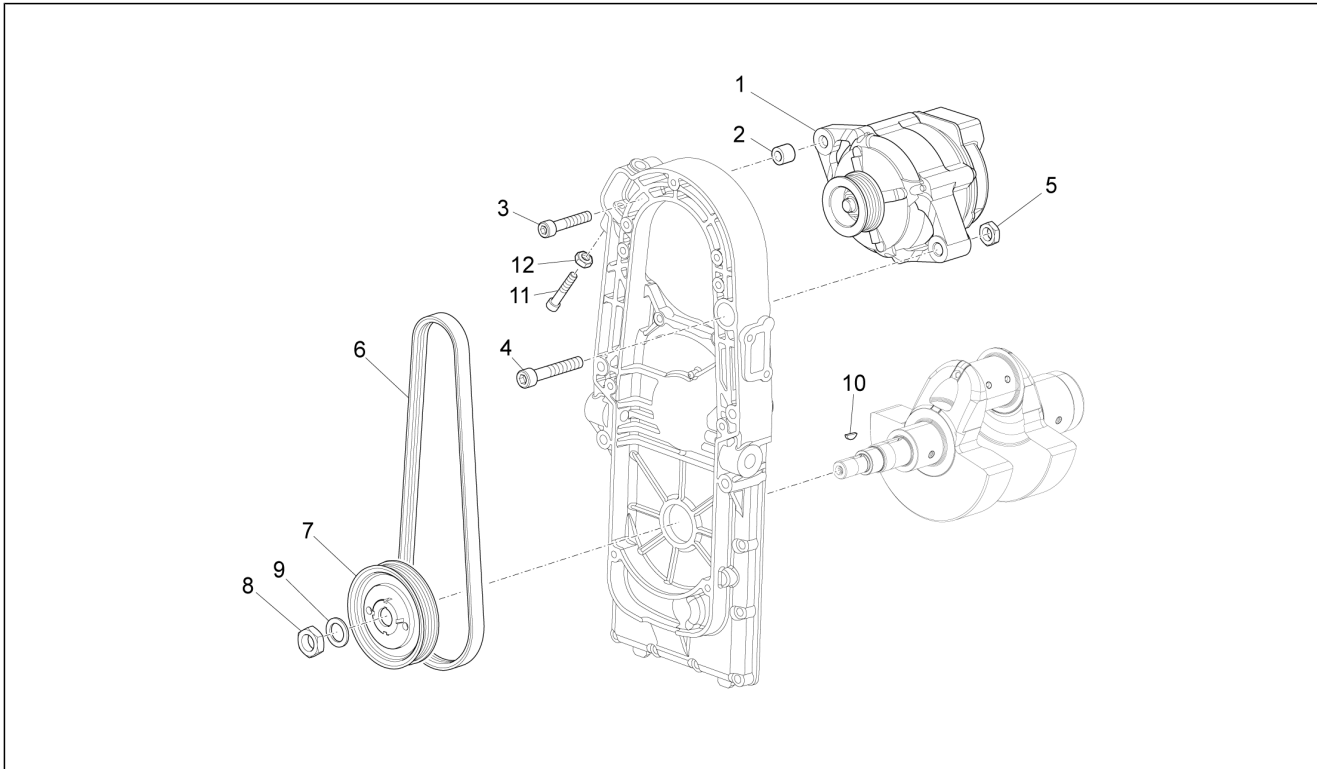
Pos.	Code	Description	Qty	Variants
1	2A000107	Clutch, assy.	1	
2	B064100	Clutch disc	1	
3	85220R	Clutch command cylinder	1	
4	B064271	Gasket ring	1	
5	976535	Hex socket screw M7x16	6	
6	884044	Hex socket screw M6x10	6	
7	976481	Screw w/ flange M8x25	6	
8	2A000072	Spring cap	1	
9	B013036	Clutch drive tapped	1	
10	976564	Bushing	1	
11	GU14085900	Bush	2	
12	976594	Rod L=mm184,5	1	Technical Specification: Two identification cuts[2T]
12	B063012	Rod L= 185.5mm	1	Technical Specification: Sei tagli di identificazione[6T]
12	976595	Rod L=mm186	1	Technical Specification: Three identification cuts[3T]
12	976596	Rod L=mm187,5	1	Technical Specification: Four identification cuts[4T]
12	976593	Rod L=mm183	1	Technical Specification: An identification cut[1T]
12	B0630111	Rod L=1,185mm	1	Technical Specification: Cinque tagli di identificazione[5T]
13	B013037	Clutch gear	1	
14	976696	Engine bearing set	1	
15	598839	Screw w/ flange	3	

Group	Engine
Code	03.290
Description	Starter / Electric starter
Service	1



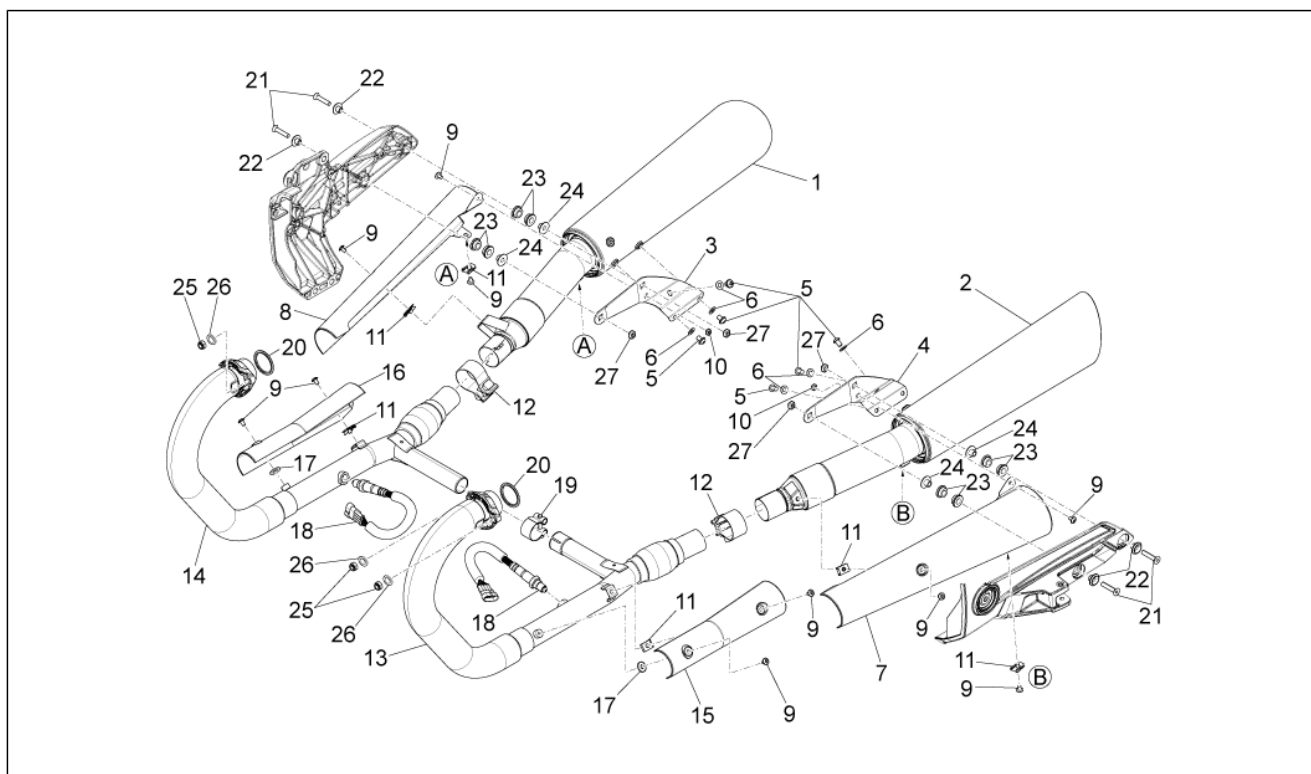
Pos.	Code	Description	Qty	Variants
1	97729R	Starter motor	1	
2	GU98082475	Hex screw M8x75	2	
3	GU95008208	Washer 8,4X15X1,5	2	

Group	Engine
Code	03.300
Description	Cdi magneto assy / Ignition unit
Service	1



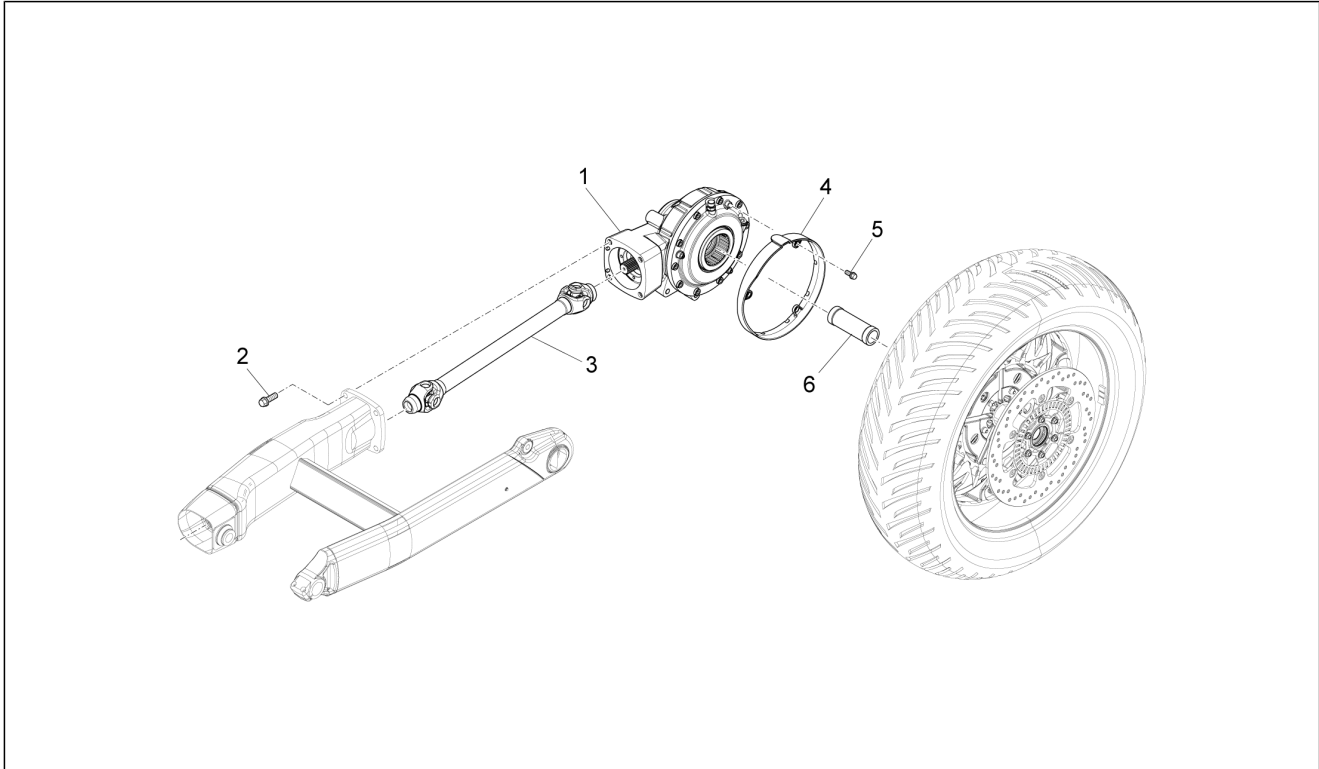
Pos.	Code	Description	Qty	Variants
1	886255	Generator	1	
2	GU91180823	Spacer 8,5x17x13	1	
3	GU98620445	Hex socket screw M8x45	1	
4	GU98620560	Hex socket screw M10x60	1	
5	GU92660012	Nut M10X1,5	1	
6	GU05702530	Belt	1	
7	2A000096	Generator lever pulley	1	
8	GU92606516	Nut M16	1	
9	GU30714201	Washer 16,25x24,5x5	1	
10	GU4FAN000030	Flywheel magneto key	1	
11	GU98230850	Hex socket screw M8x50	1	
12	GU92605408	Nut M8x1,25	1	

Group	Engine
Code	03.330
Description	Exhaust pipe
Service	1



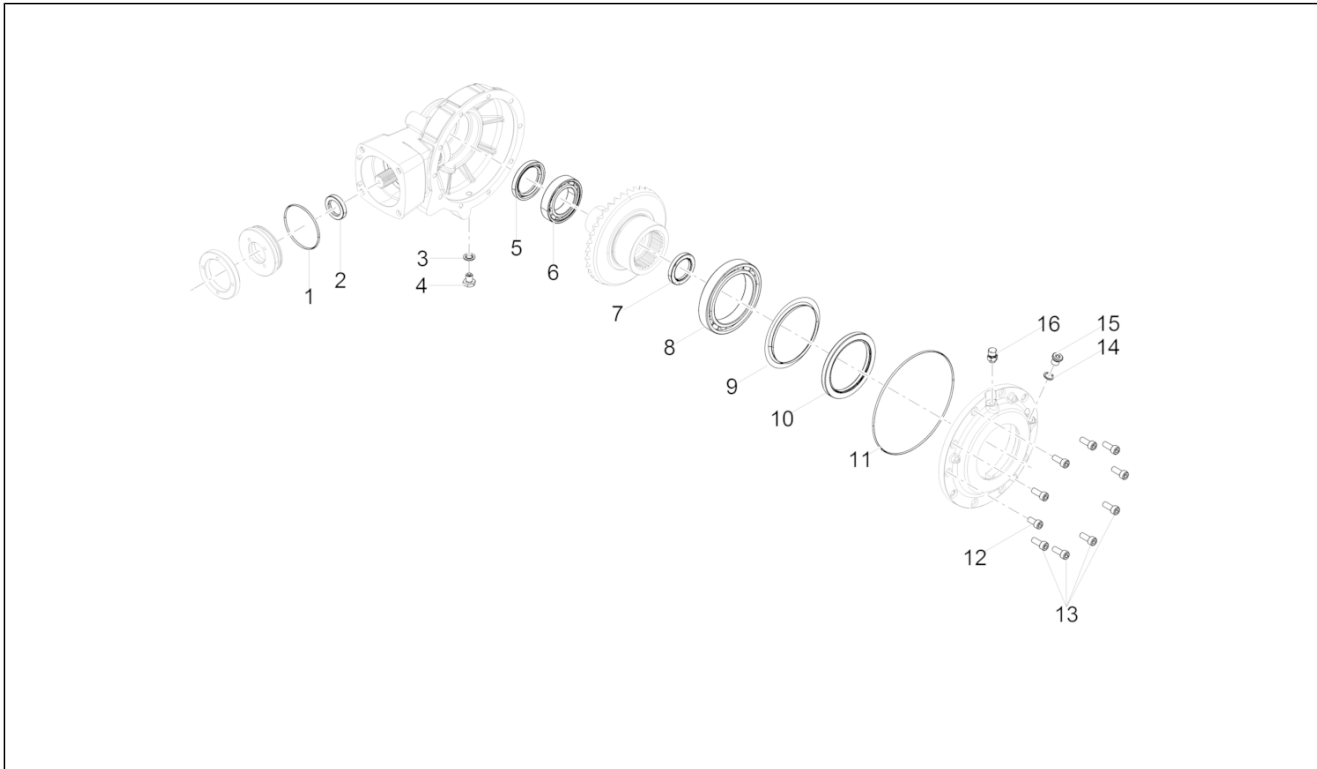
Pos.	Code	Description	Qty	Variants
1	B064126	RH silencer	1	
2	B064127	LH silencer	1	
3	887590	Right silencer support bracket	1	
4	887589	Left silencer support bracket	1	
5	AP8152055	Hex socket screw M8x12	6	
6	GU95008308	Washer	6	
7	B063595	Chromed left silencer heat protection	1	
8	B063596	Chromed right silencer heat protection	1	
9	884029	Hex socket screw M6x10	10	
10	AP8152313	Captive nut M6	2	
11	254485	Spring plate M6	6	
12	B063293	D.48 clamp	2	
13	2B000145	LH exhaust manifold	1	
14	2B000146	RH exhaust manifold	1	
15	B063593	Chromed left manifold heat protection	1	
16	B063594	Chromed right manifold heat protection	1	
17	876879	Spacer	2	
18	584344	Lambda sensor (L. 325 mm)	2	
19	B063292	D.37 clamp	1	
20	976376	Gasket	2	
21	B063114	Coarse hexagonal countersunk screw	4	
22	887816	Bush	4	
23	AP8144558	Rubber spacer	8	
24	AP8121510	Bush	4	
25	GU92660021	Flanged nut M8	4	
26	GU14615901	Washer 8,4X13X0,8	4	
27	AP8152300	Self-locking nut M8	4	

Group	Engine
Code	03.340
Description	Transmission complete
Service	1



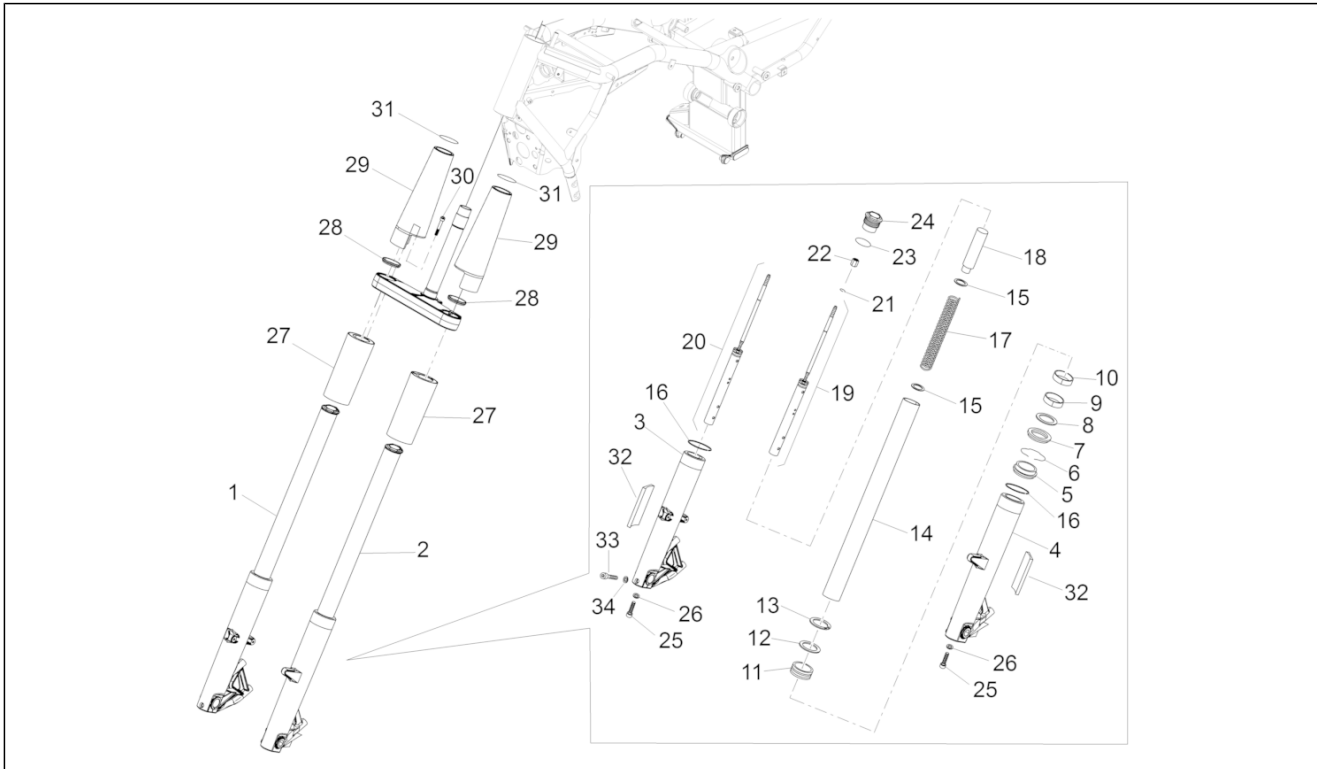
Pos.	Code	Description	Qty	Variants
1	2R000067	Bevel gear	1	
2	AP8152318	Screw w/ flange M10x35	4	
3	886968	Complete driving shaft	1	
4	887522	Guard	1	
5	AP8152272	Screw w/ flange M5x12	3	
6	887757	Internal spacer	1	

Group	Engine
Code	03.350
Description	Rear transmission / Components
Service	1



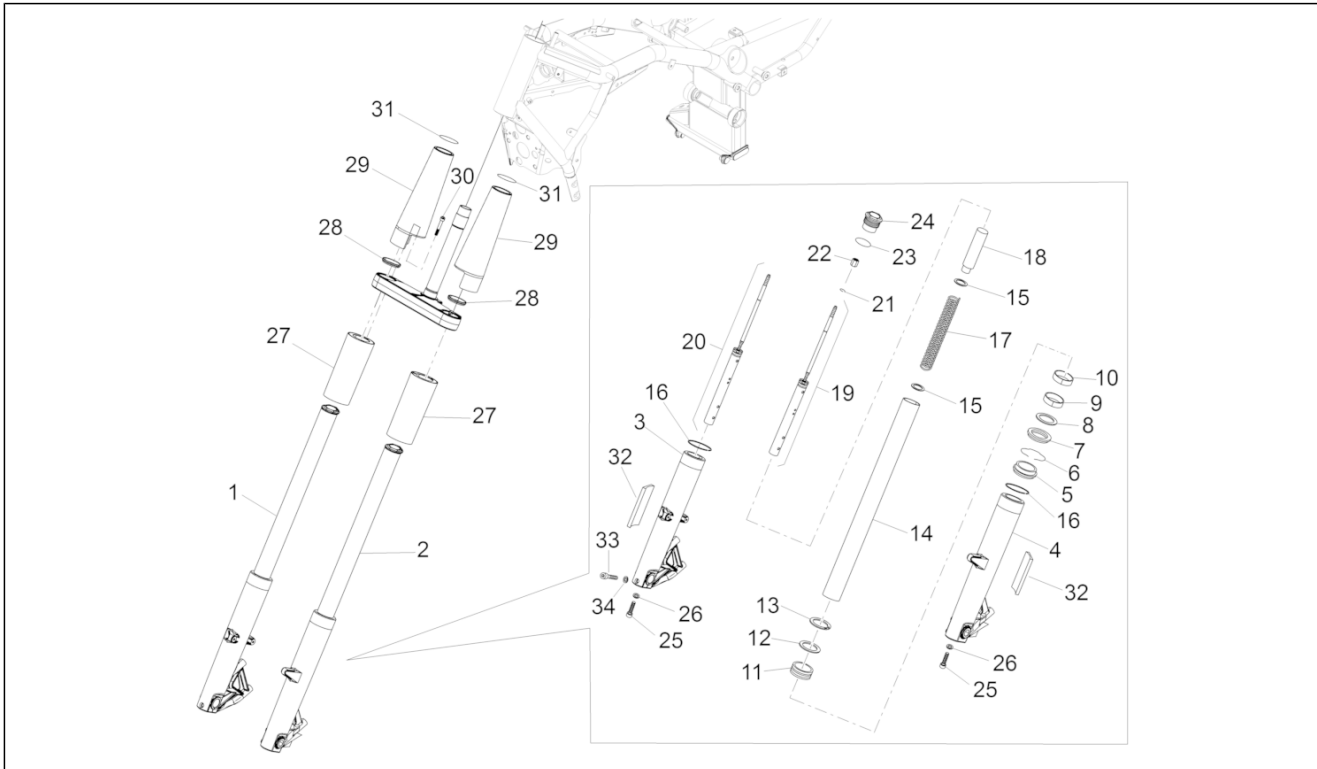
Pos.	Code	Description	Qty	Variants
1	B064032	Gasket ring OR3281 VITON FP75/80	1	
2	B064029	Gasket ring 25X40X7	1	
3	GU01528930	Gasket 10x18x1,5	1	
4	GU31003766	Oil unload plug M10x1	1	
5	B064031	***SEAL RING	1	
6	B064037	Ball bearing 45X75X16	1	
7	B064030	***SEAL RING	1	
8	GU92208518	Ball bearing 85x120x18	1	
9	B064041	Protection	1	
10	GU90408511	Gasket ring 85x110x8BASL	1	
11	B064119	Gasket ring OR 3675	1	
12	AP8150211	Hex socket screw M8x16	1	
13	AP8150169	Hex socket screw M8x20	9	
14	GU90718120	Washer	1	
15	GU05351230	Oil plug M12x1,5	1	
16	B064044	Breather plug	1	

Group	Suspensions
Code	04.025
Description	Front fork Sachs
Service	1



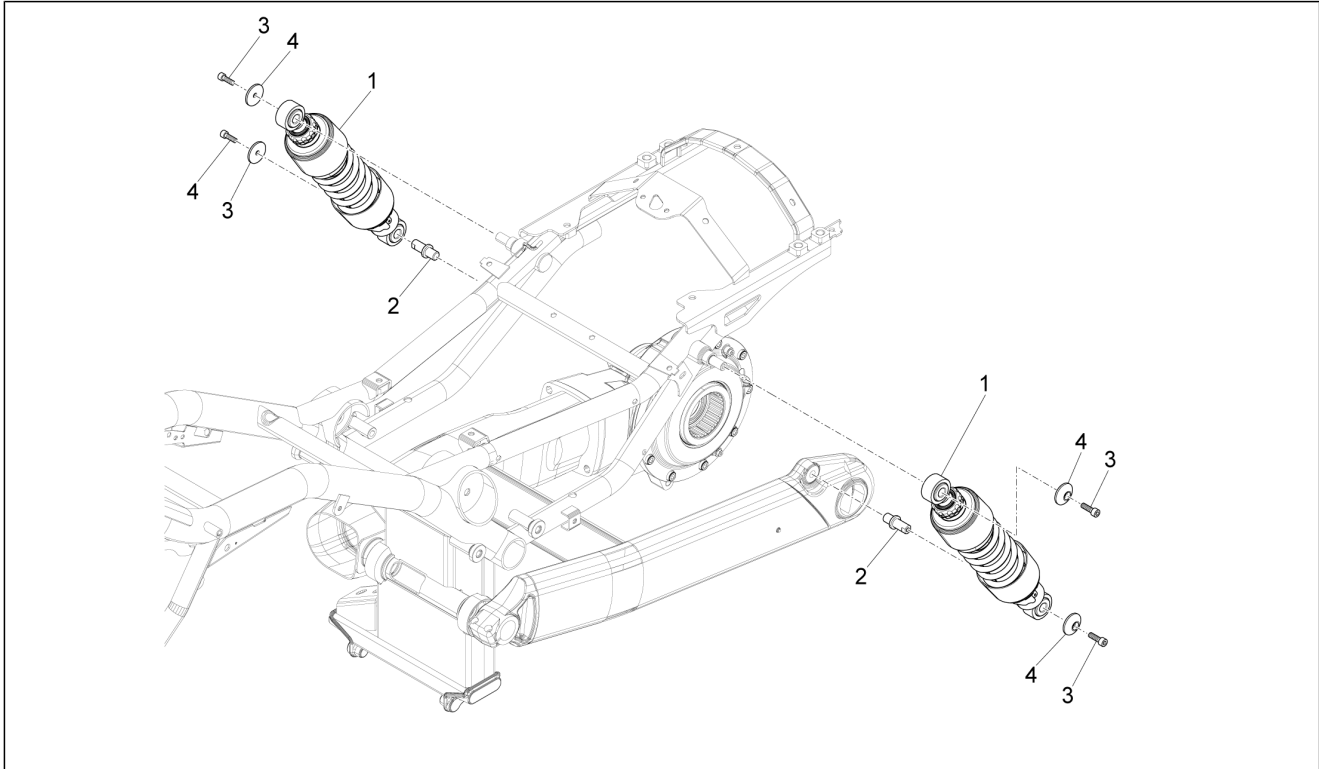
Pos.	Code	Description	Qty	Variants
1	887512	RH hub cpl.	1	
2	2B000383	LH hub cpl.	1	
3	887829	RH slider	1	
4	887830	Left fork leg	1	
5	B064059	Dust cover	1	
6	B064060	Circlip	1	
7	B064065	Oil seal	1	
8	B064064	Ring	1	
9	B064062	Spring guide bush	1	
10	B064063	Sliding bush	1	
11	B064068	Plug	1	
12	B064066	Spacer	1	
13	B064067	Circlip	1	
14	B064049	Sleeve	1	
15	B064058	Washer	1	
16	B064102	Snap ring	2	
17	B064050	Spring	1	
18	B064053	Preload tube	1	
19	B064055	LH plunger, complete	1	
20	B064056	RH plunger, complete	1	
21	B064061	O-ring	1	
22	B064052	Nut	1	
23	B064057	O-ring	1	
24	B064051	Plug	1	
25	B064069	Screw	1	
26	B064070	Washer	1	
27	887360	Lower protection	2	
28	887586	Spacer	2	

Group	Suspensions
Code	04.025
Description	Front fork Sachs
Service	1



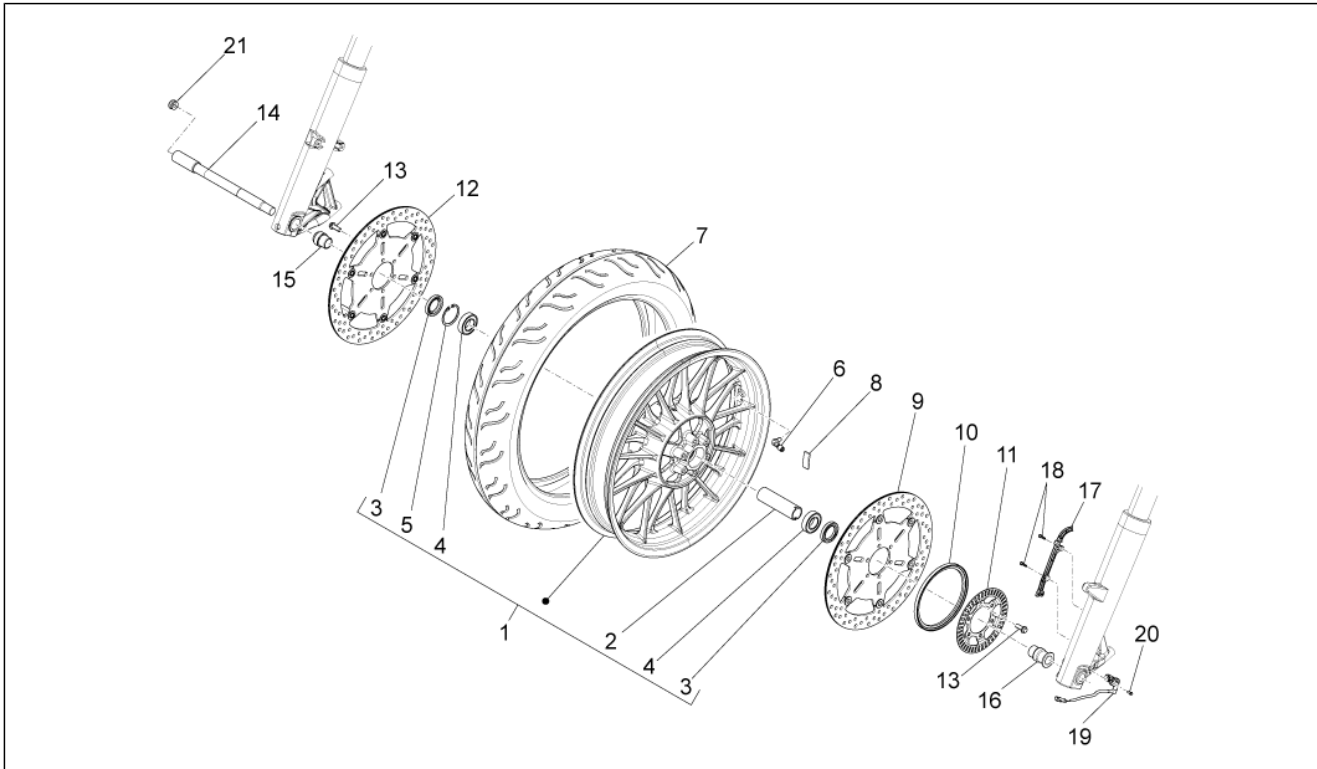
Pos.	Code	Description	Qty	Variants
29	887359	Upper protection	2	
30	GU98690245	Hex socket screw M5x45	4	
31	GU90706461	O-ring 46,04x3,53	2	
32	GU05781630	Reflector, amber	2	
33	GU98680440	Hex socket screw M8x40	1	
34	GU61270300	Spring washer 8x15x0,3	1	

Group	Suspensions
Code	04.080
Description	Shock absorber
Service	1



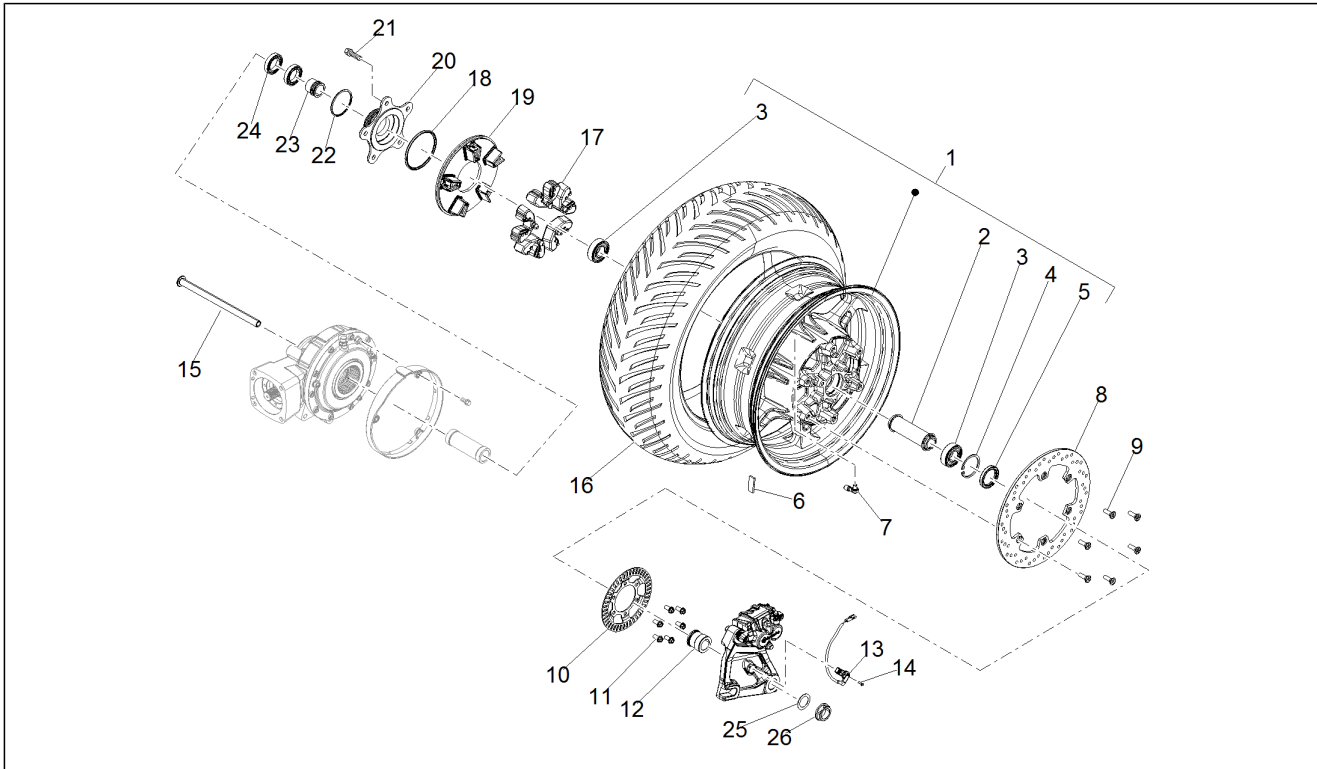
Pos.	Code	Description	Qty	Variants
1	2B001022	Rear shock absorber	2	Technical Specification: "Ollè" labelled[Ollè]
1	887137	Rear shock absorber	2	Technical Specification: "ZF" labelled[ZF]
2	B064264	Shock absorber pin	2	
3	884031	M6x14	4	
4	B063174	Bush	4	

Group	Wheels
Code	05.010
Description	Front wheel
Service	1



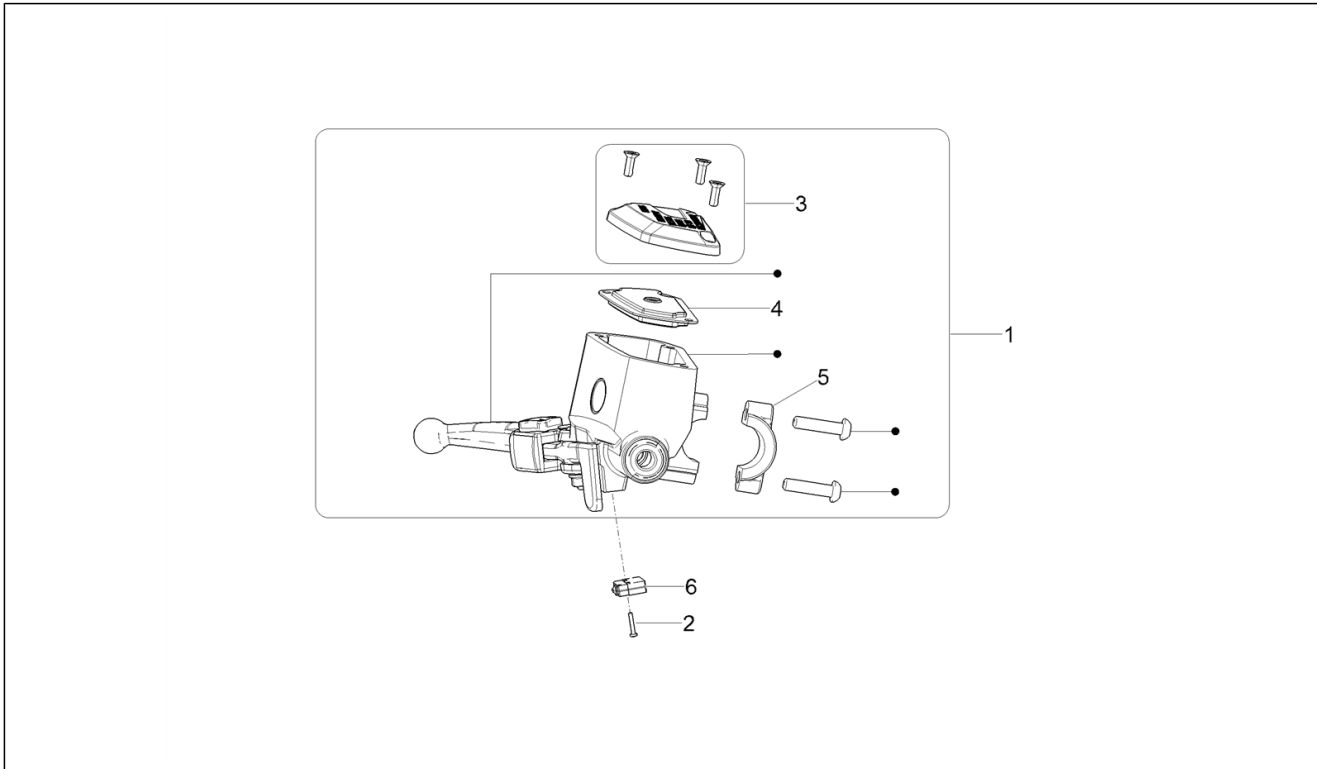
Pos.	Code	Description	Qty	Variants
1	887362	Front wheel rim with bearings	1	
2	887429	Front wheel ins.spacer	1	
3	AP8125841	Gasket ring 30x47x7	2	
4	AP8110094	Bearing 25x47x12	2	
5	AP8125842	Snap ring d47	1	
6	GU03617710	Tubeless tyre valve	1	
7	887433	Front tyre 130/70	1	
8	GU14616150	Counterweight	1	
9	887430	Front brake disk SX	1	
10	B063440	Tone wheel protection	1	
11	887875	Phonic wheel	1	
12	887439	RH front brake disc	1	
13	887762	Flanged TE screw M8x22	12	
14	887566	Front wheel spindle	1	
15	887578	Right front wheel spacer	1	
16	887579	Front LH wheel spacer	1	
17	B044314	Front ABS sensor cable guide	1	
18	AP8152043	Hex socket screw M4x10	2	
19	859792	Sensor ABS	1	
20	AP8152273	Screw w/ flange M5x15	1	
21	GU93180111	Cover 15 mm	1	

Group	Wheels
Code	05.020
Description	Rear wheel
Service	1



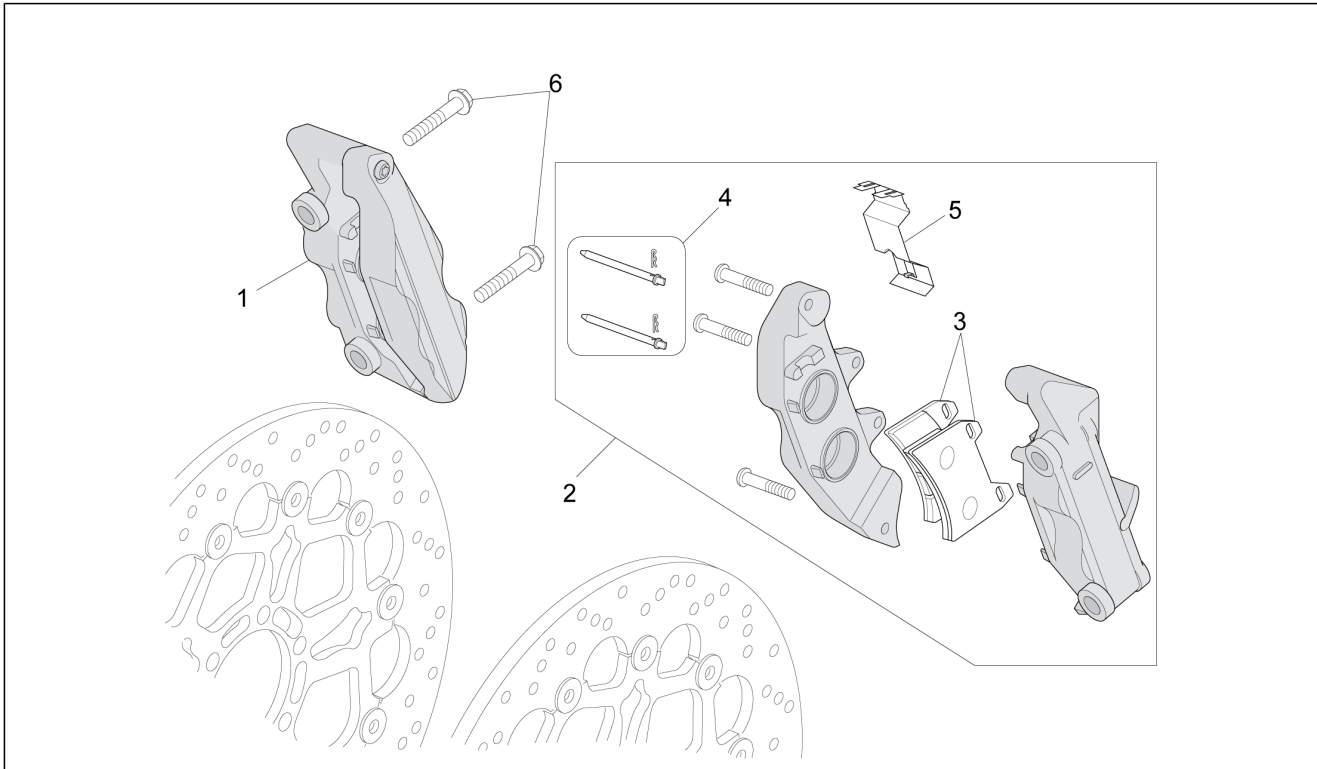
Pos.	Code	Description	Qty	Variants
1	887529	Rear wheel(complete) 6x16"	1	
2	887530	Rear wheel spacer	1	
3	AP8110093	Bearing 6205-2rs1 25x52x15	2	
4	AP8125839	Snap ring d52	1	
5	AP8125838	Gasket ring 38x52x7	1	
6	GU14616150	Counterweight	1	
7	GU03617710	Tubeless tyre valve	1	
8	887489	Brake disc	1	
9	GU30611460	screw	6	
10	887875	Phonic wheel	1	
11	AP8152285	Screw w/ flange	6	
12	887495	Rear LH whe.ou.spacer	1	
13	859792	Sensor ABS	1	
14	AP8152273	Screw w/ flange M5x15	1	
15	886967	Rear wheel spindle	1	
16	887575	Rear tyre 200/60-16"x6	1	
17	B064290	Spring drive rubber	5	
18	GU90706664	O-ring 66,40x1,78	1	
19	887311	Flexible coupling disc	1	
20	2B000090	Flange	1	
21	B063849	Screw w/ flange M10x30	5	
22	887518	O-ring 56,74x3,53	1	
23	887461	Spring drive spacer	1	
24	887517	Ball bearing 30x47x9	2	
25	GU95005325	Washer 25,2X36X1	1	
26	AP8152324	Wheel spindle nut M25x1,5	1	

Group	Brake system
Code	06.010
Description	Front master cilinder
Service	1



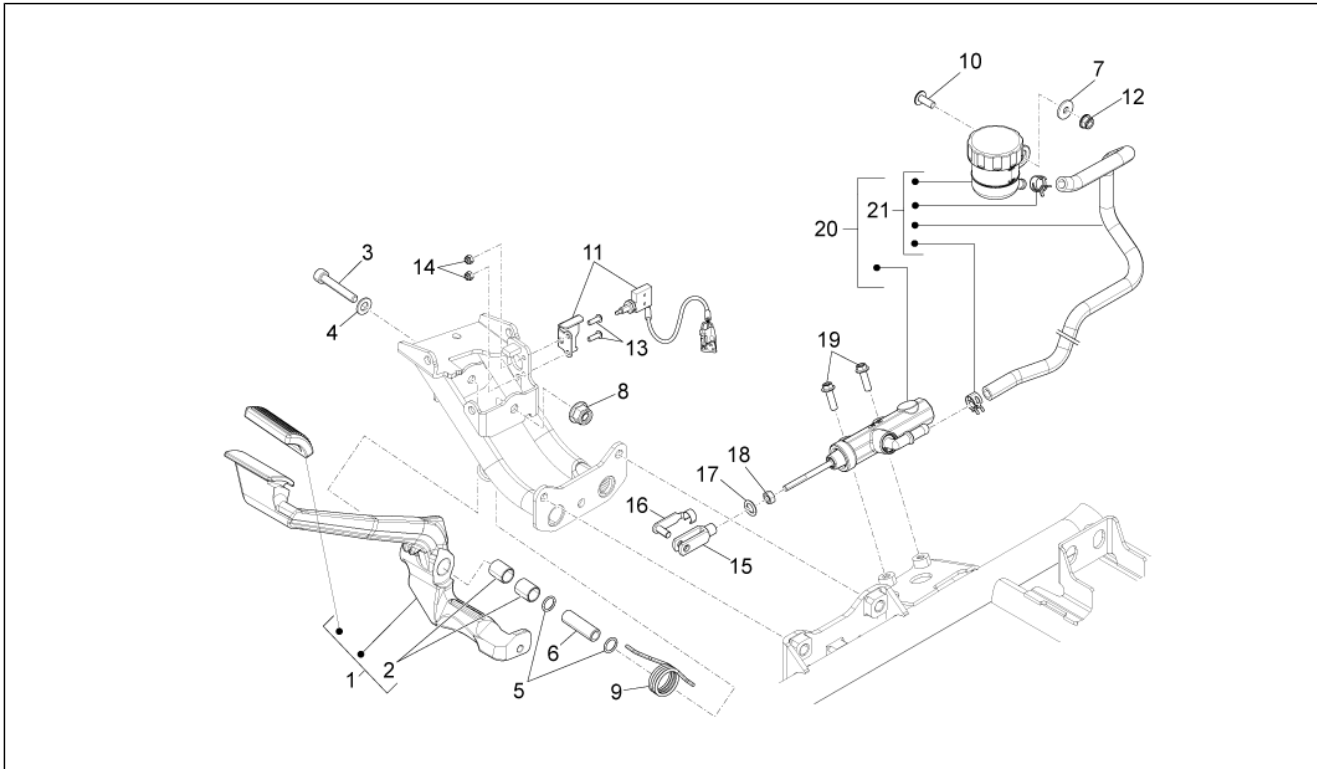
Pos.	Code	Description	Qty	Variants
1	887764	ABS front brake pump	1	
2	654174	Special cap screw M2x12*	2	
3	B064105	Complete cover	1	
4	858423	Diaphragm	1	
5	856050	U-bolt	1	
6	887627	Brake switch diagnosable	1	

Group	Brake system
Code	06.020
Description	Front brake caliper
Service	1



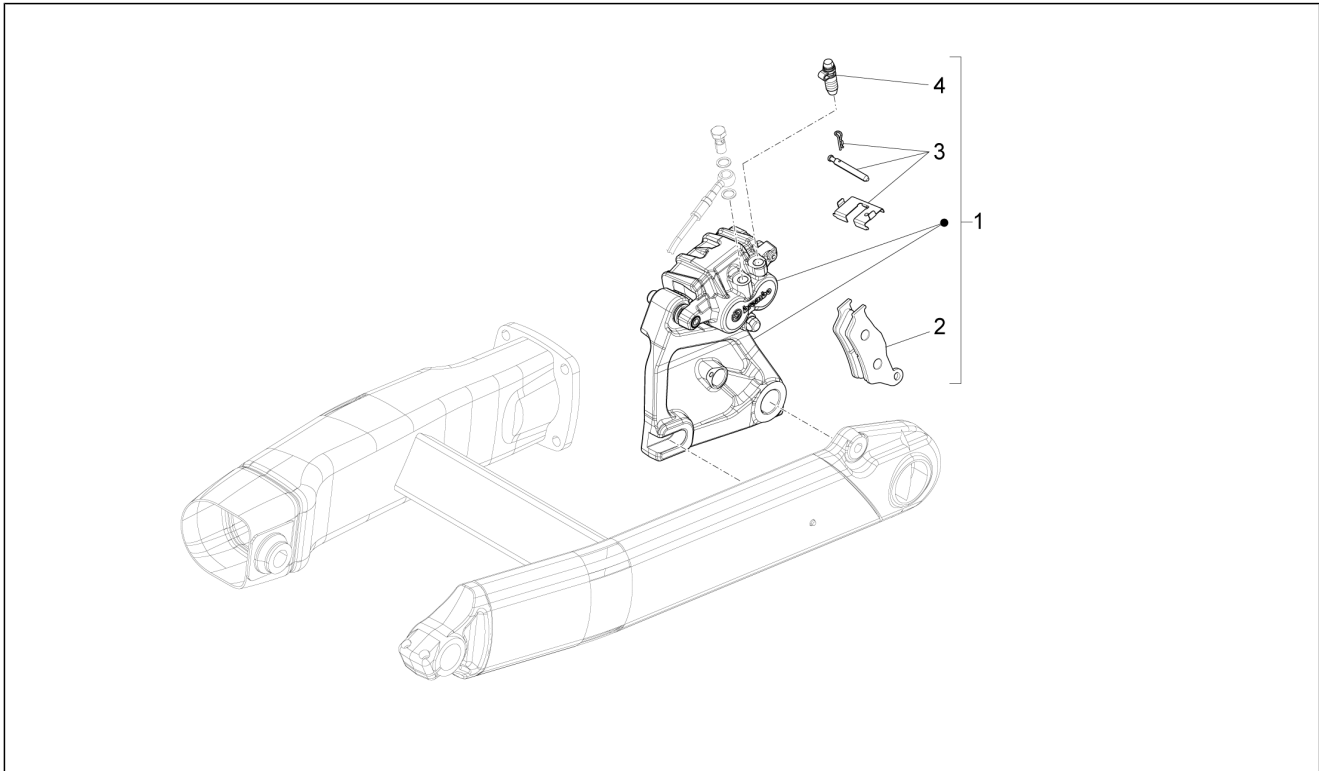
Pos.	Code	Description	Qty	Variants
1	883385	RH front brake caliper	1	
2	883384	LH front brake caliper	1	
3	883673	Pads pair	2	
4	GU01659130	Pins+Caliper springs	2	
5	GU01659131	Spring	2	
6	2B006398	Screw w/ flange M10X1.25X55	4	

Group	Brake system
Code	06.030
Description	Rear master cylinder
Service	1



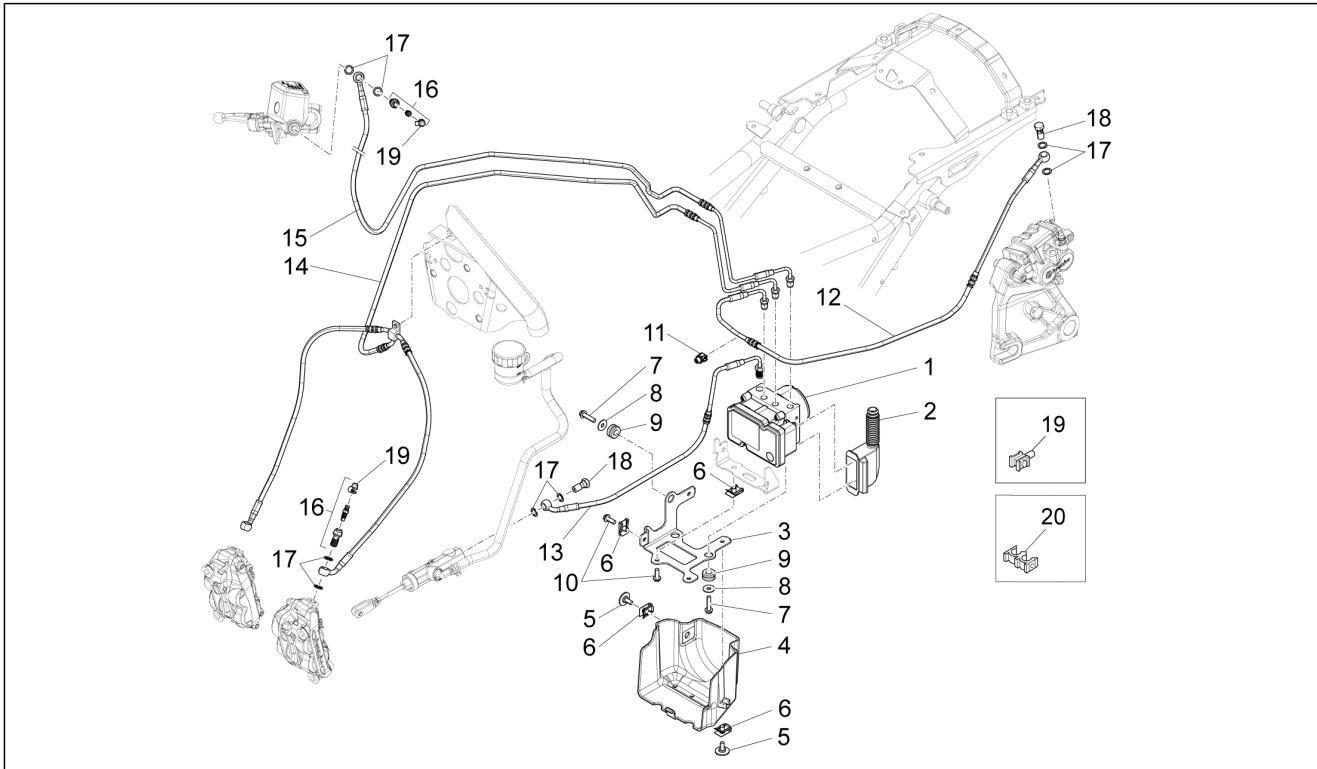
Pos.	Code	Description	Qty	Variants
1	887556	Complete rear brake lever	1	
2	895328	Sintered bushing	2	
3	GU98680475	screw M8x75	1	
4	GU95008308	Washer	1	
5	AP8144007	O-ring 11,11x1,78	2	
6	B063903	Spacer	1	
7	GU95005320	Washer 6,5x20x1,5	1	
8	AP8152300	Self-locking nut M8	1	
9	B063328	Ribbon spring	1	
10	GU98210616	Screw w/ flange M6x16 inox	1	
11	B064022	Stop switch	1	
12	AP8152299	Self-locking nut M6	1	
13	GU98370412	Hex socket screw M4x12	2	
14	AP8150204	Nut M4	2	
15	AP8101968	Fork	1	
16	AP8201301	Gear selector fork clips	1	
17	AP8120178	O-ring OR112	1	
18	GU92606206	Nut	1	
19	AP8152279	Screw w/ flange M6x20	2	
20	887689	Rear master cylinder	1	
21	B064104	Brake oil tank complete	1	

Group	Brake system
Code	06.040
Description	Rear brake caliper
Service	1



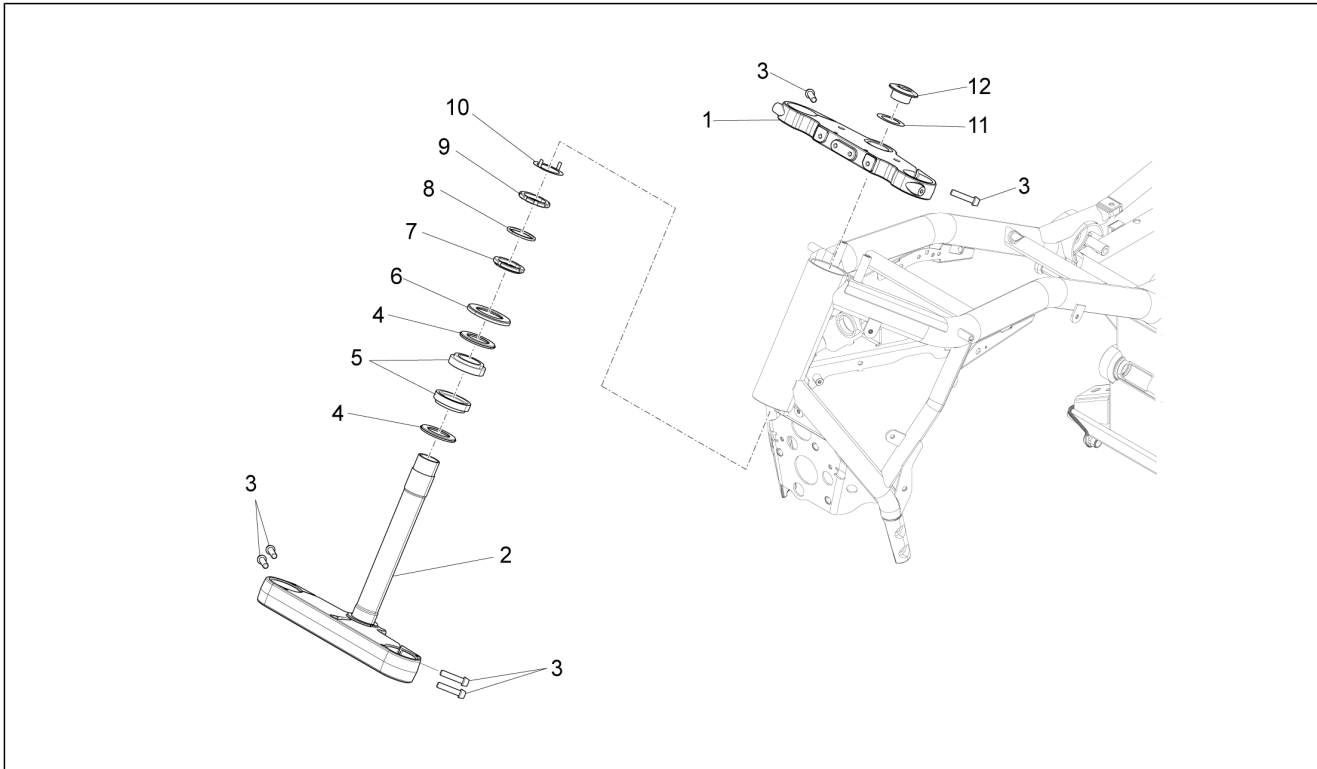
Pos.	Code	Description	Qty	Variants
1	887490	Rear brake caliper	1	
2	GU30654626	Pads pair	1	
3	B064120	Pins+spring kit	1	
4	AP8113755	Air bleed valve	1	

Group	Brake system
Code	06.050
Description	ABS Brake system
Service	1



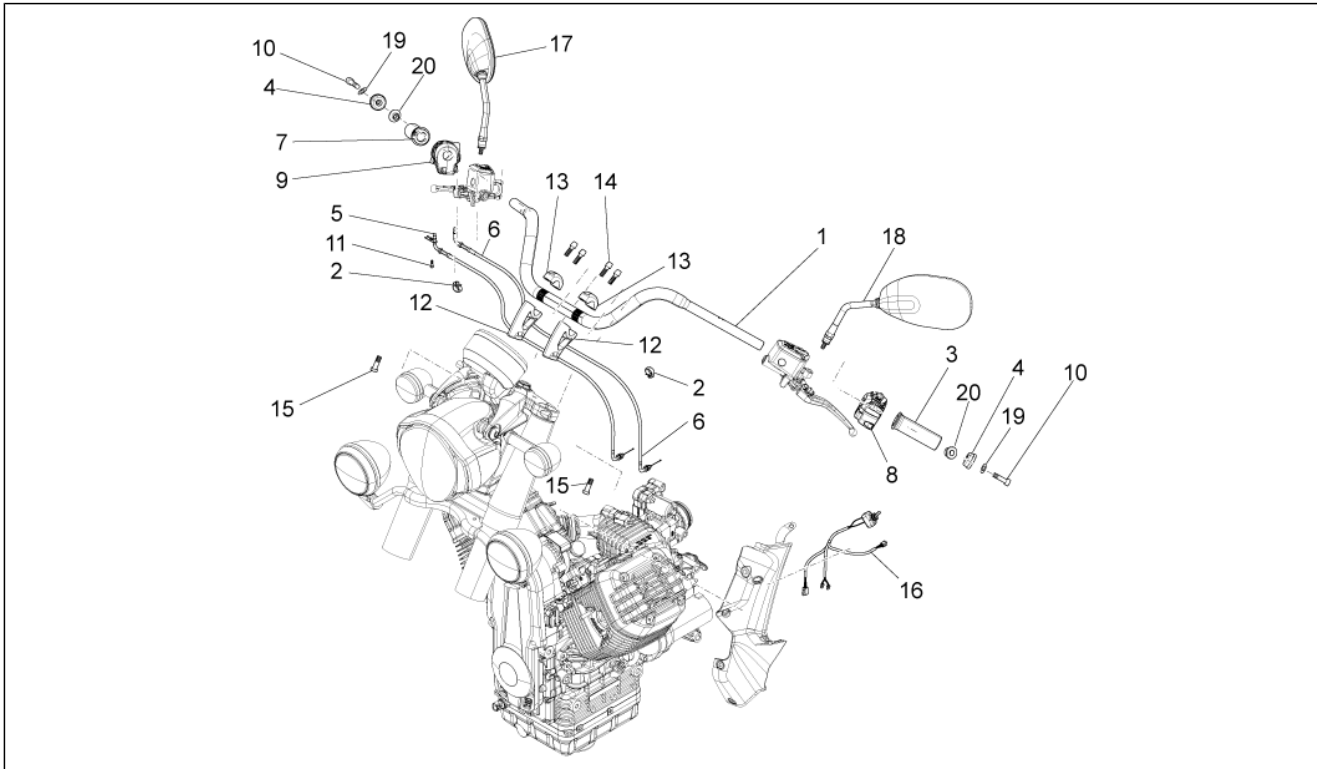
Pos.	Code	Description	Qty	Variants
1	887696	Cluster ABS control unit	1	
2	860746	Insulating cap	1	
3	B063211	ABS control unit support plate	1	
4	887798	ABS lower cover	1	
5	976591	Special screw	2	
6	254485	Spring plate M6	5	
7	AP8152280	Screw w/ flange M6x25	3	
8	AP8150015	Washer 6,6x18x1,6*	3	
9	AP8120030	Rubber spacer	3	
10	AP8152278	Screw w/ flange M6x16	3	
11	AP8121882	Cable-guide	1	
12	887585	ABS control unit rear clamp pipe	1	
13	887584	ABS control unit rear pump pipe	1	
14	887583	ABS control unit front clamp pipe	1	
15	887582	ABS control unit front pump pipe	1	
16	AP8133945	Bleeder kit	3	
17	AP8113004	Washer 10x14x1,6*	10	
18	AP8113003	Oil pipe screw	2	
19	AP8202238	Cable-guide hook	2	
19	AP8113070	Bleed valve cap	2	
20	AP8201808	Cable-guide D8	2	

Group	Handlebar - Controls
Code	07.010
Description	Steering
Service	1



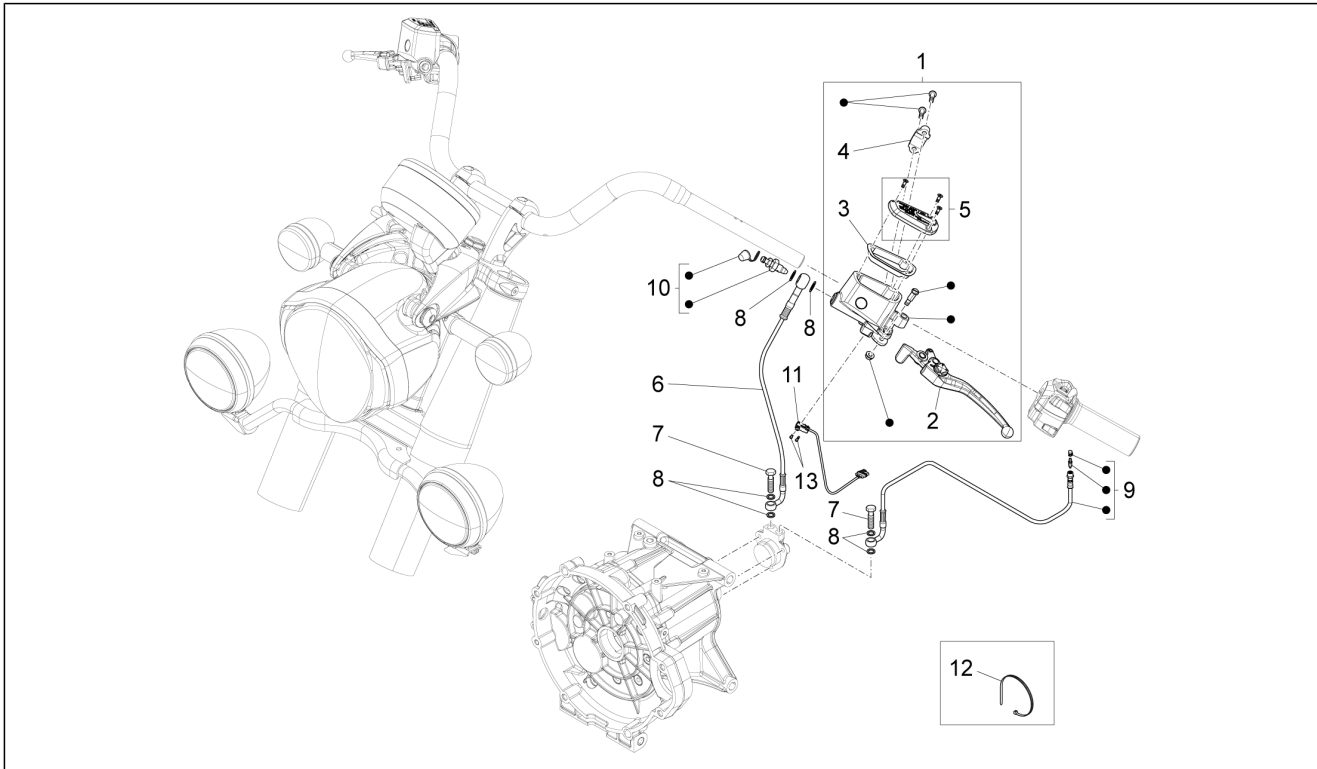
Pos.	Code	Description	Qty	Variants
1	887357	Steering plate	1	
2	887356	Stem base	1	
3	AP8150543	Screw M8x35	6	
4	AP8123641	Dust cover ring	2	
5	AP8110077	Axial ball bearing	2	
6	AP8123644	Dust cover ring	1	
7	AP8123642	Ring nut	1	
8	887831	Rubber spacer	1	
9	AP8123643	Return ring nut	1	
10	887832	Steering security plate	1	
11	AP8152384	Stem plug washer	1	
12	AP8121205	Upper plate fixing bush	1	

Group	Handlebar - Controls
Code	07.020
Description	Handlebar - Controls
Service	1



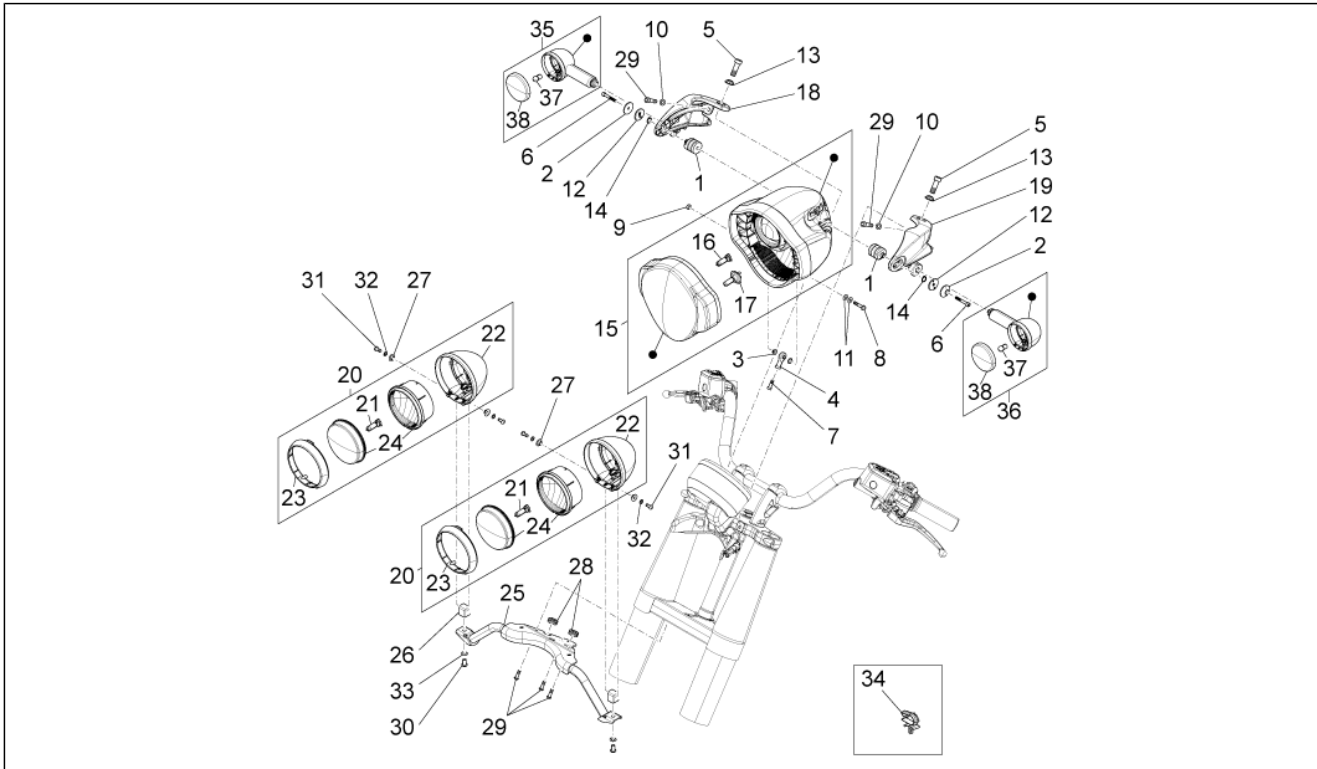
Pos.	Code	Description	Qty	Variants
1	887549	Handlebar	1	
2	641652	Spring	4	
3	GU03603060	LH hand grip	1	
4	GU30602861	Balancing	2	
5	887567	Gas trasmission delivery	1	
6	887568	Gas trasmission return	1	
7	B063339	Throttle with hand grip	1	
8	887795	LH lights selector	1	
9	B063030	RH lights selector	1	Country:Canadian[CND]
9	887796	RH lights selector	1	Country:United States of America[USA]
10	GU98692325	Hex socket screw M6x25	2	
11	978059	Self-tap screw	1	
12	GU06500200	Lower U-bolt	2	
13	GU06500600	Upper U-bolt	2	
14	AP8150540	Screw	4	
15	AP8152325	Screw w/ flange	2	
16	887823	Fog light switch	1	
17	B064116	RH rearview mirror	1	
18	B064115	LH rearview mirror	1	
19	AP8150182	Curved spring washer *	2	
20	AP8121032	Bush	2	

Group	Handlebar - Controls
Code	07.030
Description	Clutch control
Service	1



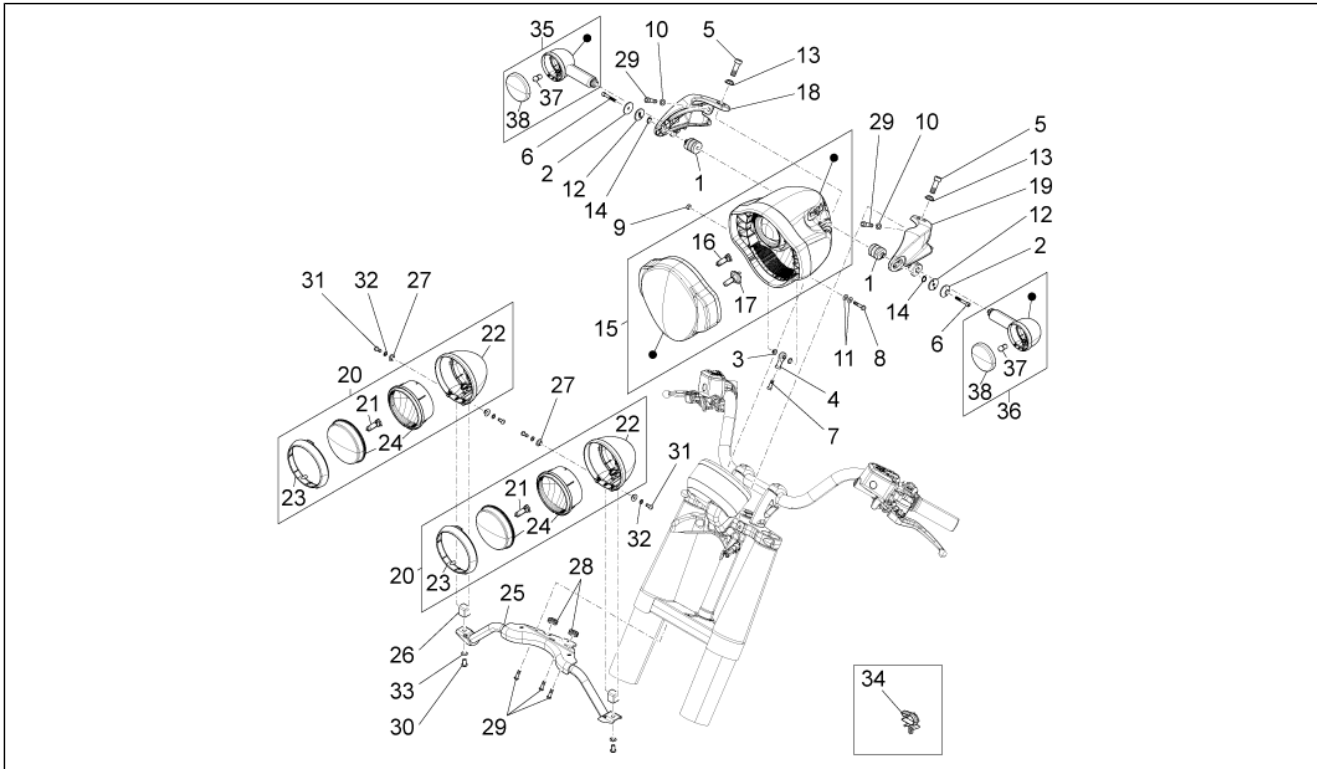
Pos.	Code	Description	Qty	Variants
1	887550	Clutch pump	1	
2	B064265	Clutch lever	1	
3	858424	Diaphragm	1	
4	856050	U-bolt	1	
5	B064106	Pump cover	1	
6	B063310	Clutch pipe	1	
7	AP8121409	Oil pipe screw	2	
8	AP8113004	Washer 10x14x1,6*	6	
9	887339	Float chambe clutch pipe	1	
10	AP8133945	Bleeder kit	1	
11	887629	Diagnosable clutch switch	1	
12	AP8120416	Black hose 180x4,5	1	
13	654174	Special cap screw M2x12*	2	

Group	Lights - Instruments
Code	08.010
Description	Front lights
Service	1



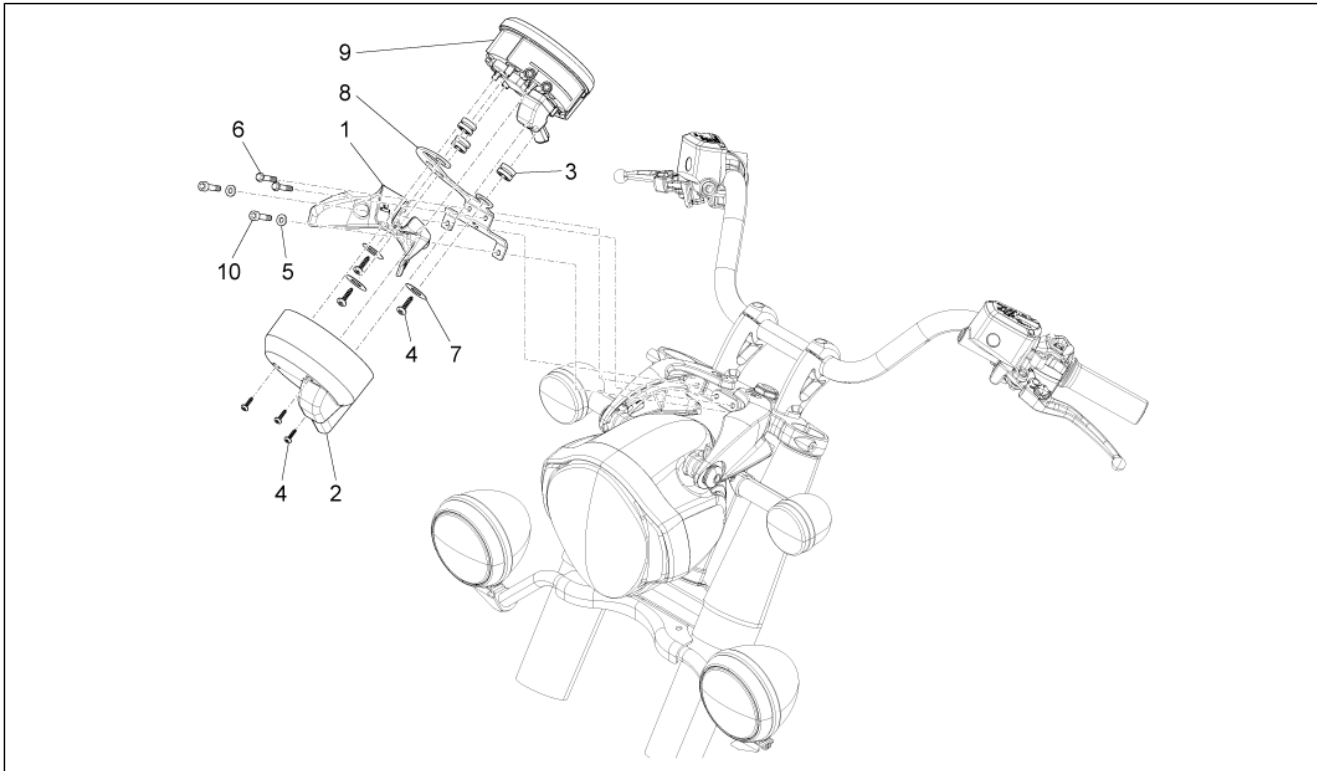
Pos.	Code	Description	Qty	Variants
1	887698	Spacer	2	
2	B063174	Bush	2	
3	GU91120605	Spacer	2	
4	887921	Articulated head M6	1	
5	GU98612320	Hex socket screw M6x20	2	
6	AP8150045	Hex socket screw M6x55	2	
7	AP8150285	Hex socket screw M6x35	1	
8	AP8152281	Screw w/ flange M6x30	1	
9	GU92630206	Self-locking nut M6x1	1	
10	AP8150014	Washer 6,4x12,5*	2	
11	AP8150015	Washer 6,6x18x1,6*	2	
12	887697	Washer	2	
13	AP8150178	Washer 6,4x12,5*	2	
14	006410	Circlip	2	
15	887453	Headlight	1	
16	294353	Lamp H7 12V-55W	1	
17	294278	Lamp H3 12V-55W	1	
18	2B000151	RH headlight supp.	1	
19	2B000152	LH headlight supp.	1	
20	B063295	Fog light	2	
21	580734	Lamp 12V-35W H8	1	
22	B063296	Cap	2	
23	B063297	Ring nut	2	
24	B063343	Light assembly	2	
25	887997	Fog light support	1	
26	B063756	Block	2	
27	AP8221349	T bush	4	
28	AP8120594	Rubber spacer	2	

Group	Lights - Instruments
Code	08.010
Description	Front lights
Service	1



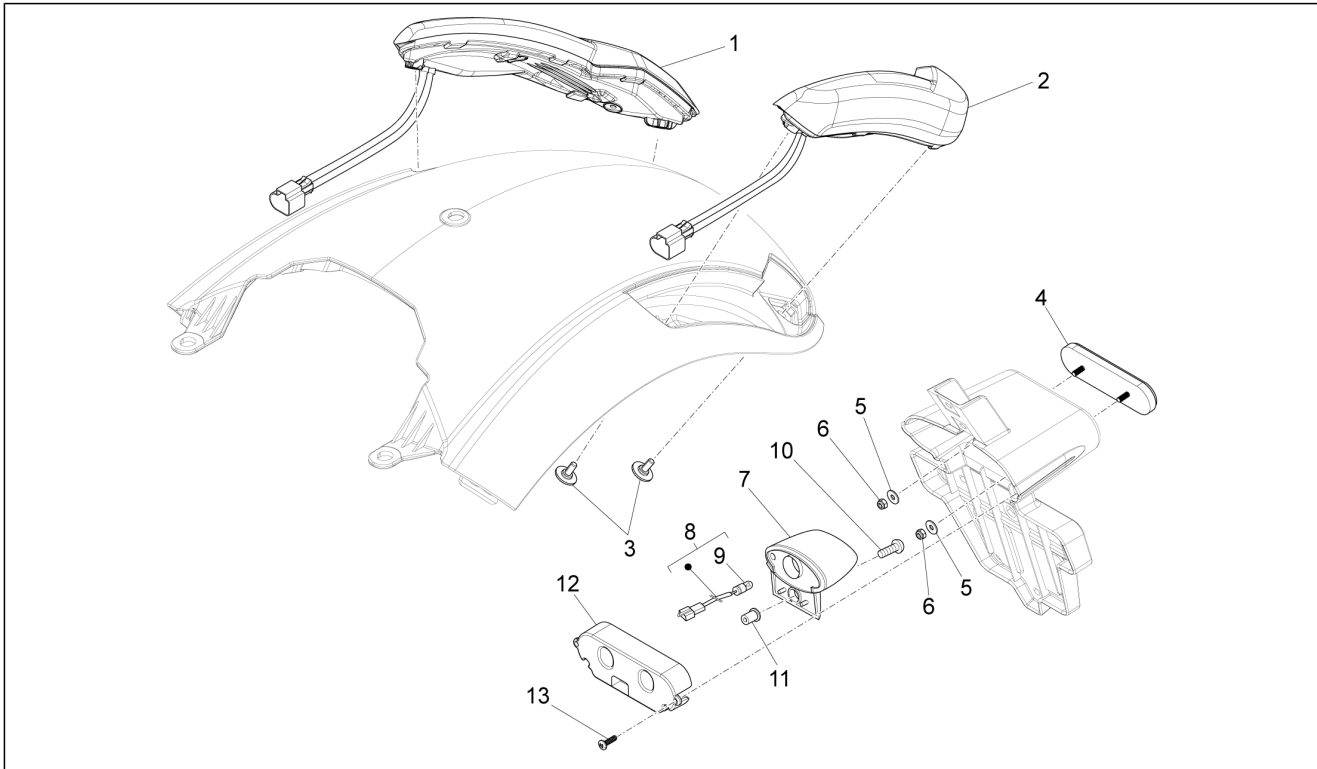
Pos.	Code	Description	Qty	Variants
29	GU98682320	Hex socket screw M6x20	5	
30	GU98350416	Hex socket screw M8x16	2	
31	AP8152342	Screw w/ flange M6x12	4	
32	GU03013800	Washer 6,4x12	7	
33	AP8150376	Washer 8,5x15x0,8	2	
34	AP8221310	Cable-guide	1	
35	B063028	Front right turn indicator	1	
36	B063029	Front left turn indicator	1	
37	AP8127489	Lamp RY10W 12V	1	
38	2D000007	Turn indicator lens	2	

Group	Lights - Instruments
Code	08.020
Description	Instruments
Service	1



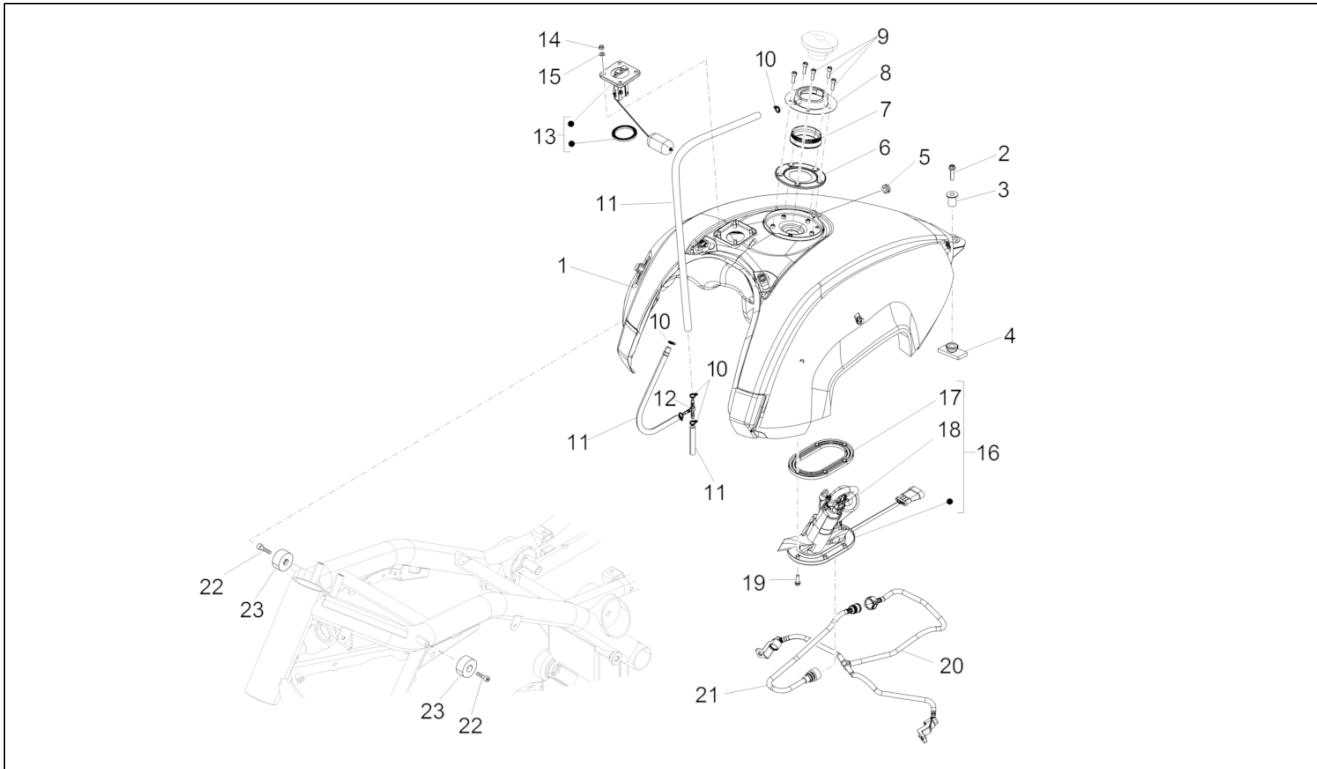
Pos.	Code	Description	Qty	Variants
1	B063936	Front booby hatch	1	
2	887953	Instrument panel cover	1	
3	AP8144662	Rubber spacer	3	
4	AP8150413	Self-tap screw 3,9x14	6	
5	GU95008305	Washer 5,3X10X1	3	
6	AP8152278	Screw w/ flange M6x16	2	
7	AP8150382	Washer 15x5,5X1,2	3	
8	887555	Socket support	1	
9	887540	Dashboard	1	
10	895709	Hex socket screw M5x12	2	

Group	Lights - Instruments
Code	08.030
Description	Rear lights
Service	1



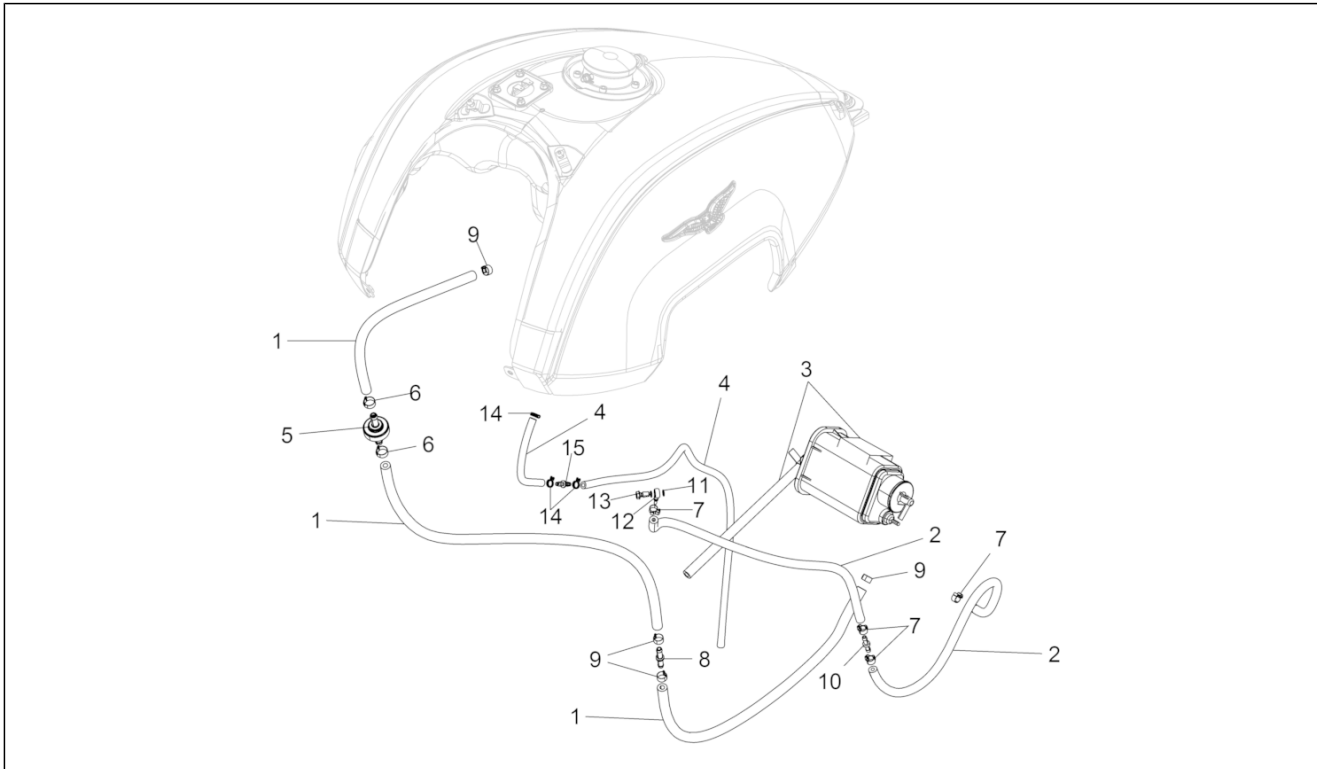
Pos.	Code	Description	Qty	Variants
1	887536	Rh rear light USA-CND	1	
2	887537	Lh rear light USA-CND	1	
3	976591	Special screw	4	
4	AP8124718	Rear reflector, red	1	
5	AP8150501	Washer	2	
6	AP8150204	Nut M4	2	
7	AP8127098	Number-plate light	1	
8	B063432	Number-plate light	1	
9	292022	Lamp 12V-5W	1	
10	AP8150522	Screw 4,2x16	1	
11	AP8144564	Rubber w/ insert M4	1	
12	B063454	Plate light support	1	
13	AP8150413	Self-tap screw 3,9x14	2	

Group	Tank
Code	09.010
Description	Fuel tank
Service	1



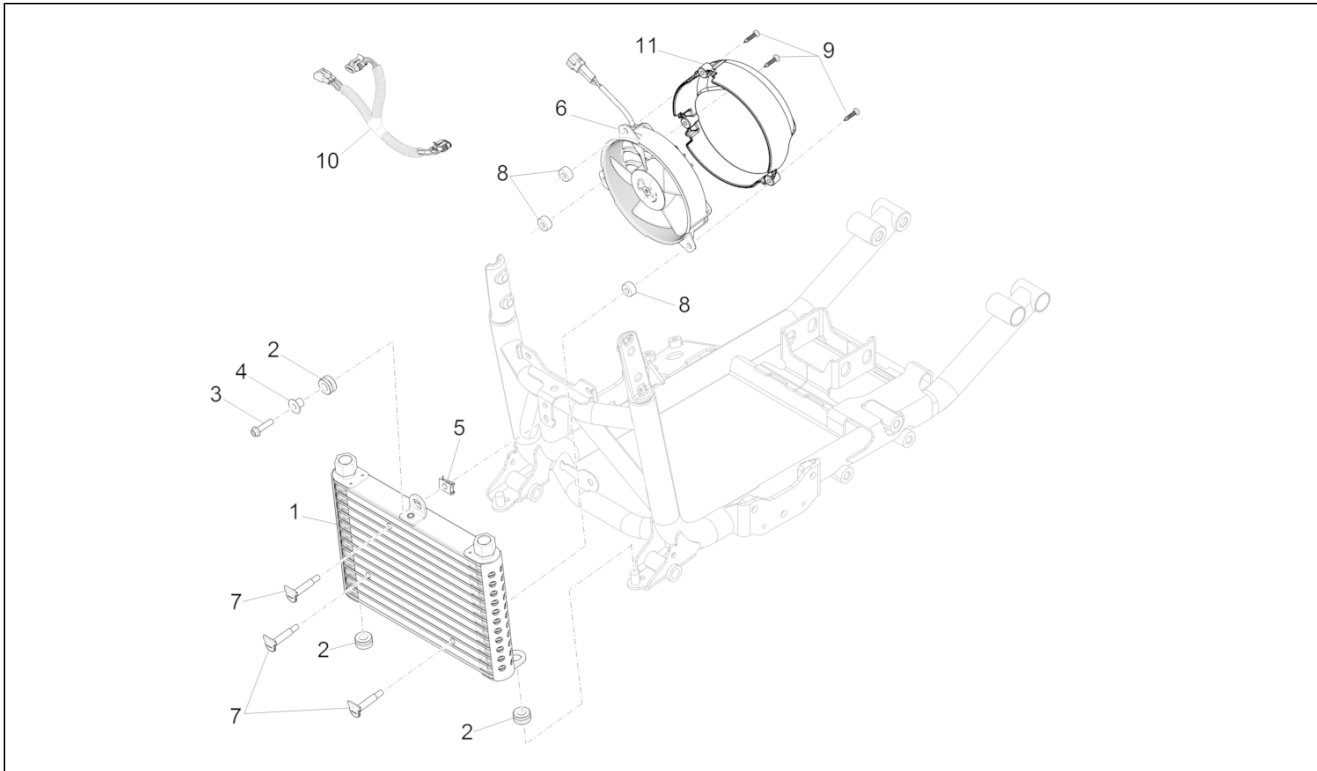
Pos.	Code	Description	Qty	Variants
1	2B000147000BM	Fuel tank, white	1	Colour:Diamond White[Bd]
1	2B000147000YR5	Fuel tank, Must Red	1	Colour:Amaranth red[Ra]
1	2B000147000XN2	Complete black fuel tank	1	Colour:Competition Black[Nc]
1	2B000147	Unfinished fuel tank	1	
2	AP8152281	Screw w/ flange M6x30	1	
3	AP8121511	Bush	1	
4	AP8120557	Tank rubber	1	
5	AP8120405	Rubber spacer	1	
6	B063080	Cap flange gasket	1	
7	B063246	Fuel cap flange spacer	1	
8	B063079	Fuel cap coupling flange	1	
9	B043864	Hex socket screw M5x14	5	
10	AP8101595	Hose clamp D10,1	5	
11	GU00823944050	pipe 5X9	4	
12	AP8104666	3-way union	1	
13	B063706	Fuel level sensor	1	
14	AP8150311	Low self-locking nut	4	
15	GU95008205	Washer 5,3x10x0,8	4	
16	B063104	Fuel pump	1	
17	GU01107490	Gasket	1	
18	GU01106090	Fuel filter	1	
19	AP8152273	Screw w/ flange M5x15	6	
20	2B000181	Engine fuel pipe	1	
21	2B000180	Tank fuel pipe	1	
22	GU98882416	M8x16 SHC screw	2	
23	AP8201124	Rubber spacer *	2	

Group	Tank
Code	09.020
Description	Fuel vapour recover system
Service	1



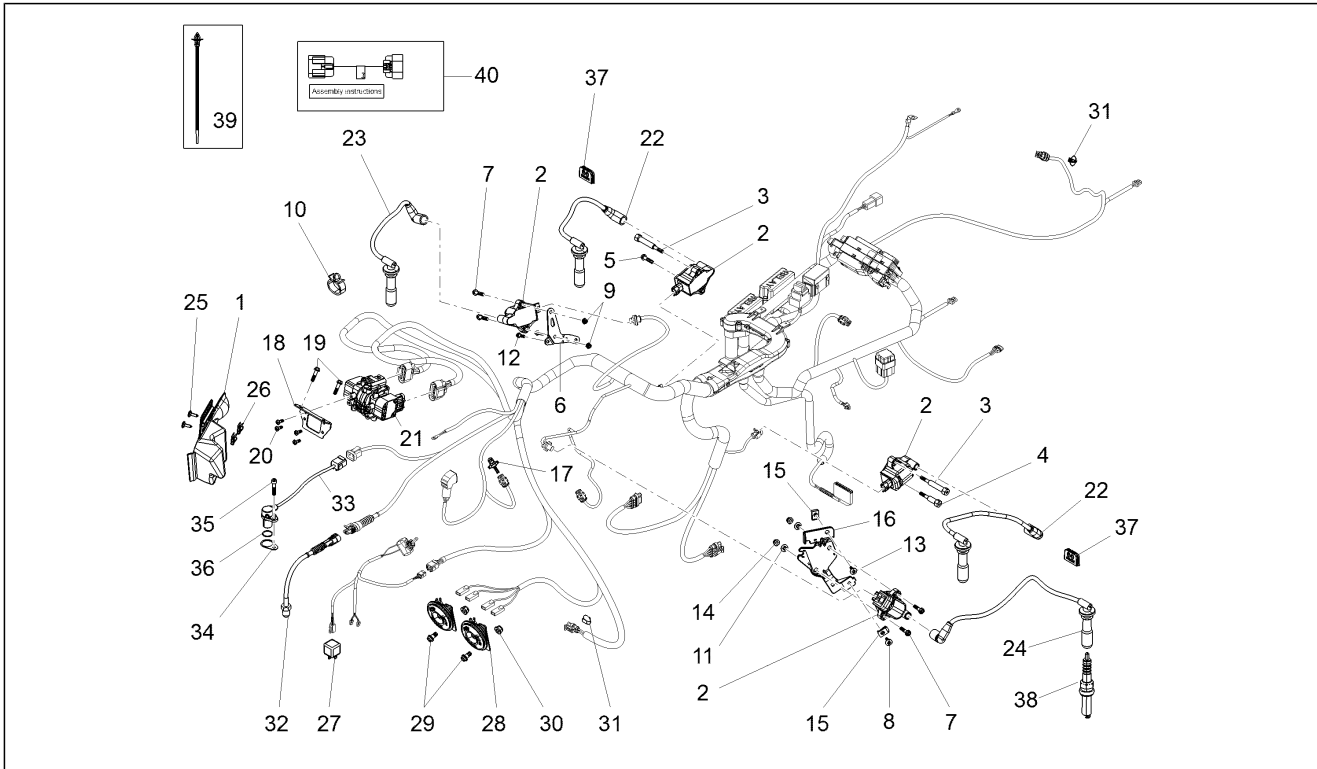
Pos.	Code	Description	Qty	Variants
1	856063	pipe SAE 30 d.12,7x6,35	3	
2	856062	pipe SAE 30 d.11,11x4,8	2	
3	GU01116031	Carbon filter	1	
4	GU00823944050	pipe 5X9	2	
5	860138	Valve	1	
6	AP8102239	Hose clamp 12,5x8	2	
7	AP8102738	Hose clamp	4	
8	2B000219	Joint	1	
9	AP8102159	Hose clamp	6	
10	GU06704700	Joint	1	
11	GU90706009	O-ring 6x1	2	
12	GU95963062	Joint	1	
13	GU95990023	Bored screw	1	
14	AP8102377	Hose clamp D9,1*	3	
15	AP8101944	2-way union	1	

Group	Cooling system
Code	10.010
Description	Oil radiator
Service	1



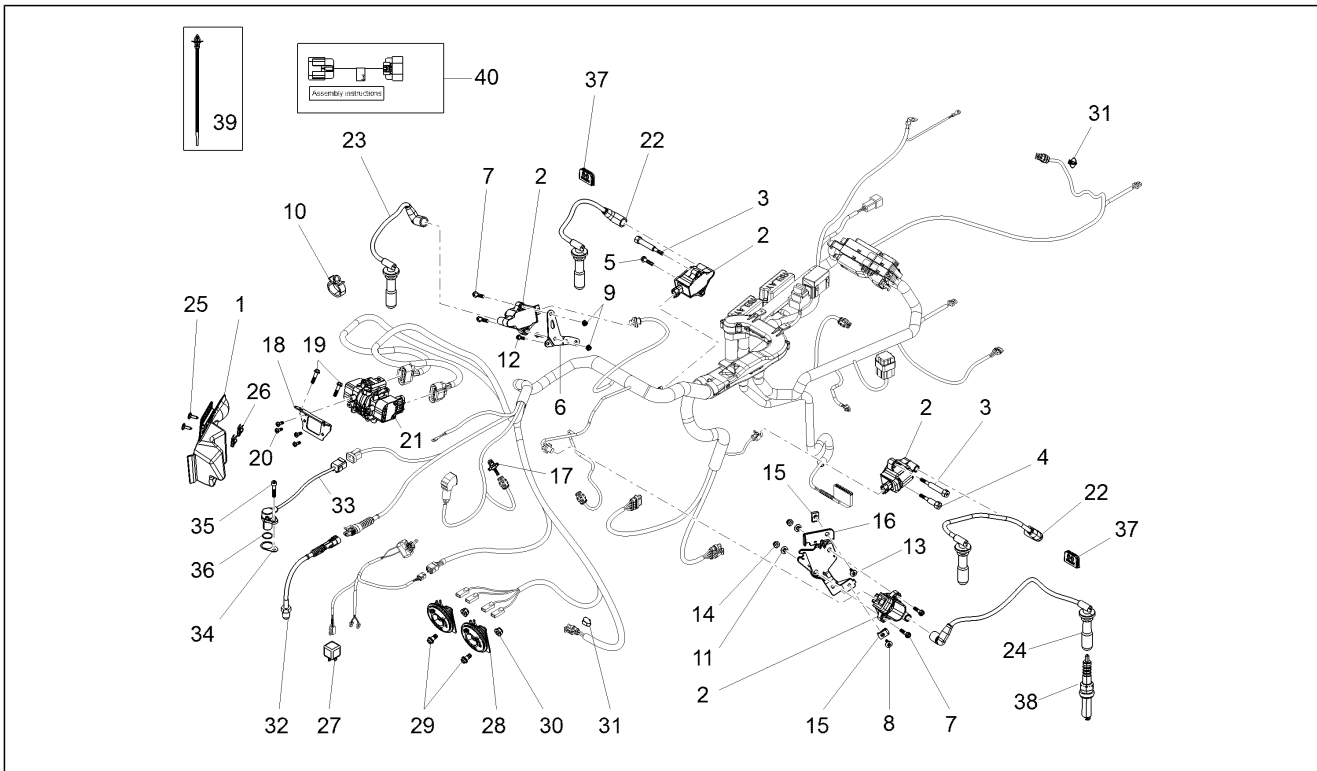
Pos.	Code	Description	Qty	Variants
1	2B000889	Oil cooler	1	
2	AP8120030	Rubber spacer	3	
3	AP8152280	Screw w/ flange M6x25	1	
4	AP8221023	T bush	1	
5	254485	Spring plate M6	1	
6	886235	Electric fan assy.	1	
7	AP8121464	Pin	3	
8	AP8161083	Spacer	3	
9	478533	Self-tap screw	3	
10	B063434	Electric fan cable harness	1	
11	B064009	Cooling hood	1	

Group	Electrical systems
Code	11.010
Description	Front electrical system
Service	1



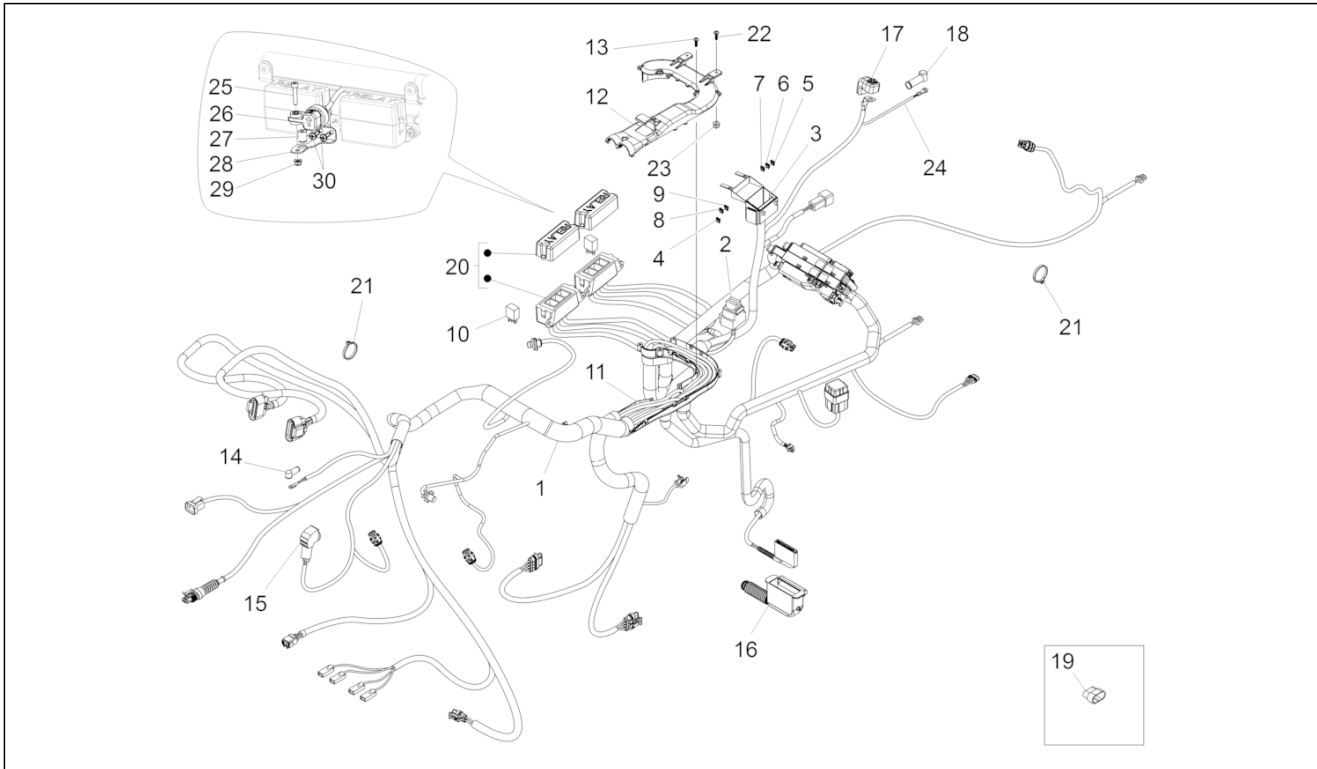
Pos.	Code	Description	Qty	Variants
1	887955	Box	1	
2	641901	HT coil	4	
3	B063162	Stud bolt	2	
4	B063844	Stud bolt	1	
5	AP8152280	Screw w/ flange M6x25	1	
6	B063508	Coil holder	1	
7	AP8152281	Screw w/ flange M6x30	2	
8	976614	Hex socket screw M5x15	2	
9	GU92630206	Self-locking nut M6x1	2	
10	641652	Spring	1	
11	AP8121032	Bush	2	
12	AP8152278	Screw w/ flange M6x16	2	
13	AP8152302	Screw w/ flange M5x12	2	
14	AP8152299	Self-locking nut M6	2	
15	AP8102375	Clip M5	2	
16	B063742	Coil holder	1	
17	AP8124936	Air temp. Sensor	1	
18	B063015	Support plate	1	
19	AP8152280	Screw w/ flange M6x25	2	
20	AP8150509	Self-tap screw 5x14	4	
21	B044414	Accelerator position sensor	1	
22	887835	Complete H.V. cable	2	
23	887836	Complete H.V. cable	1	
24	B063426	Complete H.V. cable	1	
25	AP8152302	Screw w/ flange M5x12	2	
26	AP8102375	Clip M5	2	
27	AP8224462	Relay 12V-30A	1	
28	890979	Horn	1	

Group	Electrical systems
Code	11.010
Description	Front electrical system
Service	1



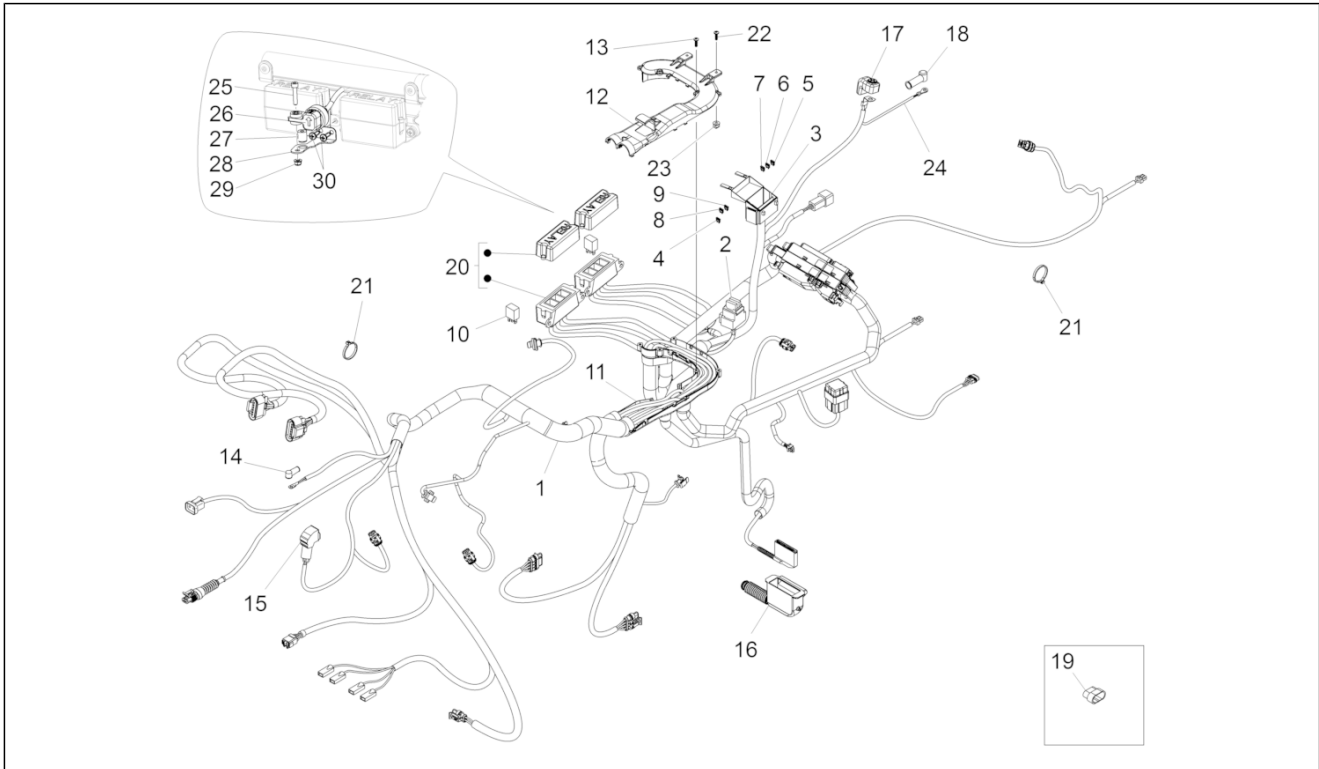
Pos.	Code	Description	Qty	Variants
29	GU98370616	Hex socket screw M6x16 inox	2	
30	254485	Spring plate M6	2	
31	890760	Instrument support	2	
32	887421	Temp. Sensor	1	
33	832029	Encoder sensor	1	
34	B063592	Plate	1	
35	GU98682316	Hex socket screw M6x16	1	
36	GU90706141	O-ring	1	
37	B063131	Rubber spacer	2	
38	887016	Spark plug NGK LMAR8F-9	4	
39	B064017	Clamp with arrow head and sucker cup	1	
40	2R000309	Interface kit	1	

Group	Electrical systems
Code	11.020
Description	Central electrical system
Service	1



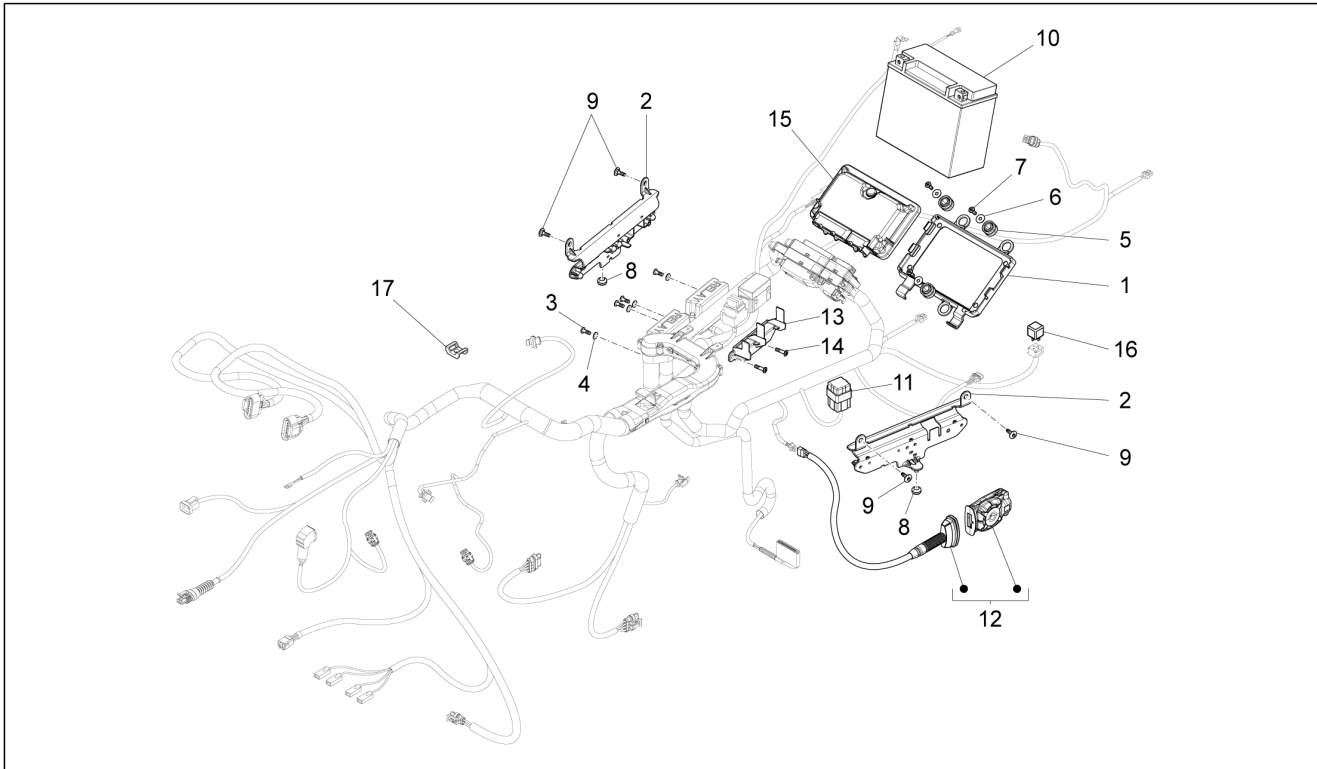
Pos.	Code	Description	Qty	Variants
1	2D000190	Main wiring harness	1	
2	AP8112811	Rubber fuse box	1	
3	894603	Fuse holder box	1	
4	CM225607	Fuse 7,5A	3	
5	CM225610	Fuse 10A	1	
6	CM225615	Fuse 15A	5	
7	CM225620	Fuse 20A	2	
8	CM225730	Fuse 30A	2	
9	CM225740	Fuse 40A	2	
10	895907	Relay 20A	6	
11	2B000353	Cable duct base	1	
12	2B000354	Cable duct cover	1	
13	AP8150413	Self-tap screw 3,9x14	6	
14	581061	Cap	1	
15	856152	Insulating cap	1	
16	860746	Insulating cap	1	
17	895701	Terminal cap	1	
18	977916	Insulating cap	1	
19	582928	Plug connect diagnos ECU	1	
20	AP8124293	Relais support	1	
21	145298	Lock-strap L=180mm	2	
22	AP8150413	Self-tap screw 3,9x14	2	
23	AP8102671	Plastic rivet	2	
24	B063433	Earth cable	1	
25	GU98680225	Hex socket screw M5x25	1	
26	642248	Fall sensor	1	
27	AP8120712	Rubber spacer	1	
28	2B000331	Support plate	1	

Group	Electrical systems
Code	11.020
Description	Central electrical system
Service	1



Pos.	Code	Description	Qty	Variants
29	AP8152306	Self-locking nut M5	1	
30	AP8152329	Phillips screw, SWP M5x20	2	

Group	Electrical systems
Code	11.030
Description	Rear electrical system
Service	1



Pos.	Code	Description	Qty	Variants
1	858882	Maintenance	1	
2	B063013	Relais support	2	
3	AP8150509	Self-tap screw 5x14	4	
4	AP8150501	Washer	4	
5	AP8220150	Rubber spacer	3	
6	AP8150382	Washer 15x5,5X1,2	3	
7	AP8150509	Self-tap screw 5x14	3	
8	AP8112600	Rubber spacer	2	
9	AP8152302	Screw w/ flange M5x12	4	
10	883818	Battery	1	
11	896715	Relay rubber	1	
12	887335	Electronic alarm kit	1	
13	B063806	Bracket	1	
14	AP8152329	Phillips screw, SWP M5x20	2	
15	CM228201	Electronic control unit	1	
16	895481	Injection relay 12V-40W	1	
17	896675	Wiring harness support	2	